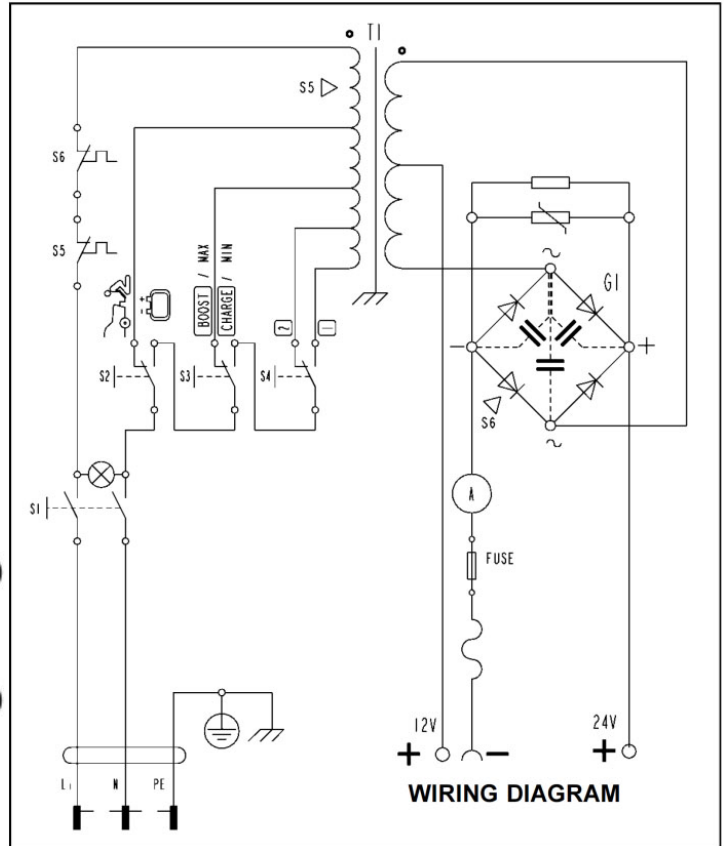
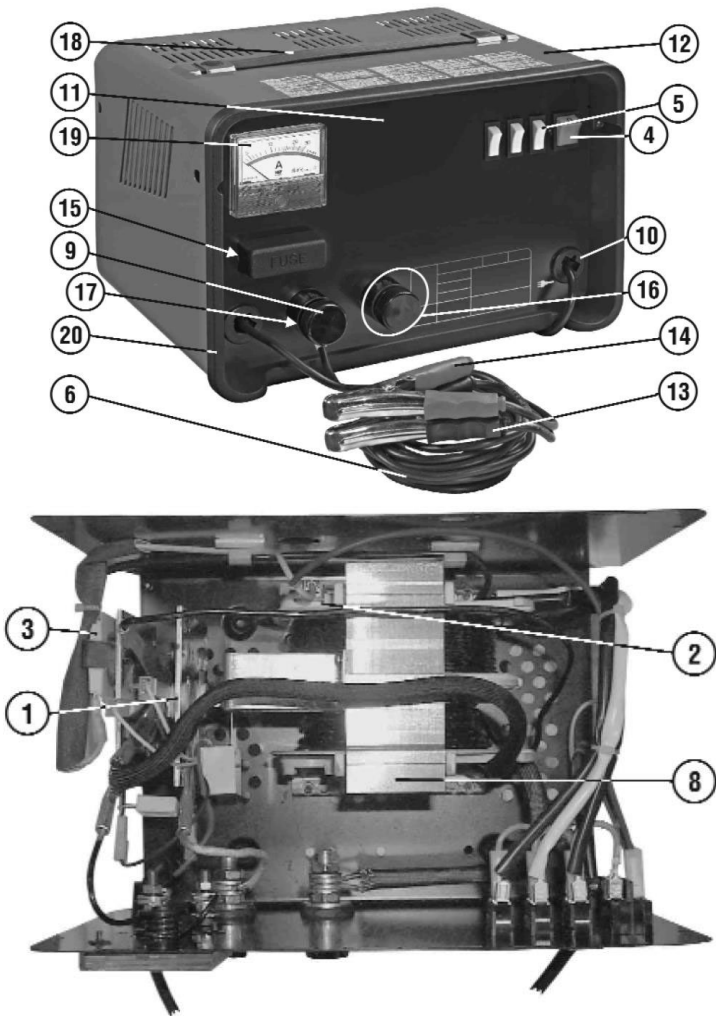




Parts Information:
Starter/Charger 200/45Amp 12/24V 230V
Model No: SUPERBOOST200.V3



| Item | Part No. | Description |
|------|------------|-------------------------|
| 1 | 120.990685 | RECTIFIER KIT |
| 2 | 120.121069 | THERMOSTAT 15A 250V |
| 3 | 120.121021 | THERMOSTAT 15A 250-400V |
| 4 | 120/122381 | SWITCH, GREEN ROCKER |
| 5 | 120/122400 | SWITCH, WHITE ROCKER |
| 6 | 120/123425 | WIRE |
| 8 | 120.169140 | TRANSFORMER |
| 9 | 120/312053 | KNOB, TERMINAL |
| 10 | 120.322112 | BUSHING |
| 11 | 120.980023 | FRONT PANEL |
| 12 | 120.990948 | COVER KIT |

| Item | Part No. | Description |
|------|--------------|---------------------------------------|
| 13 | 120/712001 | CLAMP, EARTH (BLACK) |
| 14 | 120/712002 | CLAMP, POSITIVE (RED) |
| 15 | START180.F20 | FUSE 50Amp Pack of 20 |
| -- | 120.980036 | FUSE HOLDER (SINGLE POST) (NOT SHOWN) |
| 16 | 120/990162 | TERMINAL COMPLETE |
| -- | 120/990072 | FUSE TERMINAL COMPLETE (NOT SHOWN) |
| 17 | 120/990163 | INSULATING WASHERS |
| 18 | 120/990341 | HANDLE |
| 19 | 120.152020 | AMMETER |
| 20 | 120.322666 | FRAME |
| -- | START560.03 | FUSE COVER (NOT SHOWN) |

NOTE: It is our policy to continually improve products and as such we reserve the right to alter data, specifications and component parts without prior notice.

IMPORTANT: No liability is accepted for incorrect use of product.

WARRANTY: Guarantee is 12 months from purchase date, proof of which will be required for any claim.

Sealey Group, Kempson Way, Suffolk Business Park, Bury St Edmunds, Suffolk. IP32 7AR



01284 757500



01284 703534



sales@sealey.co.uk



www.sealey.co.uk