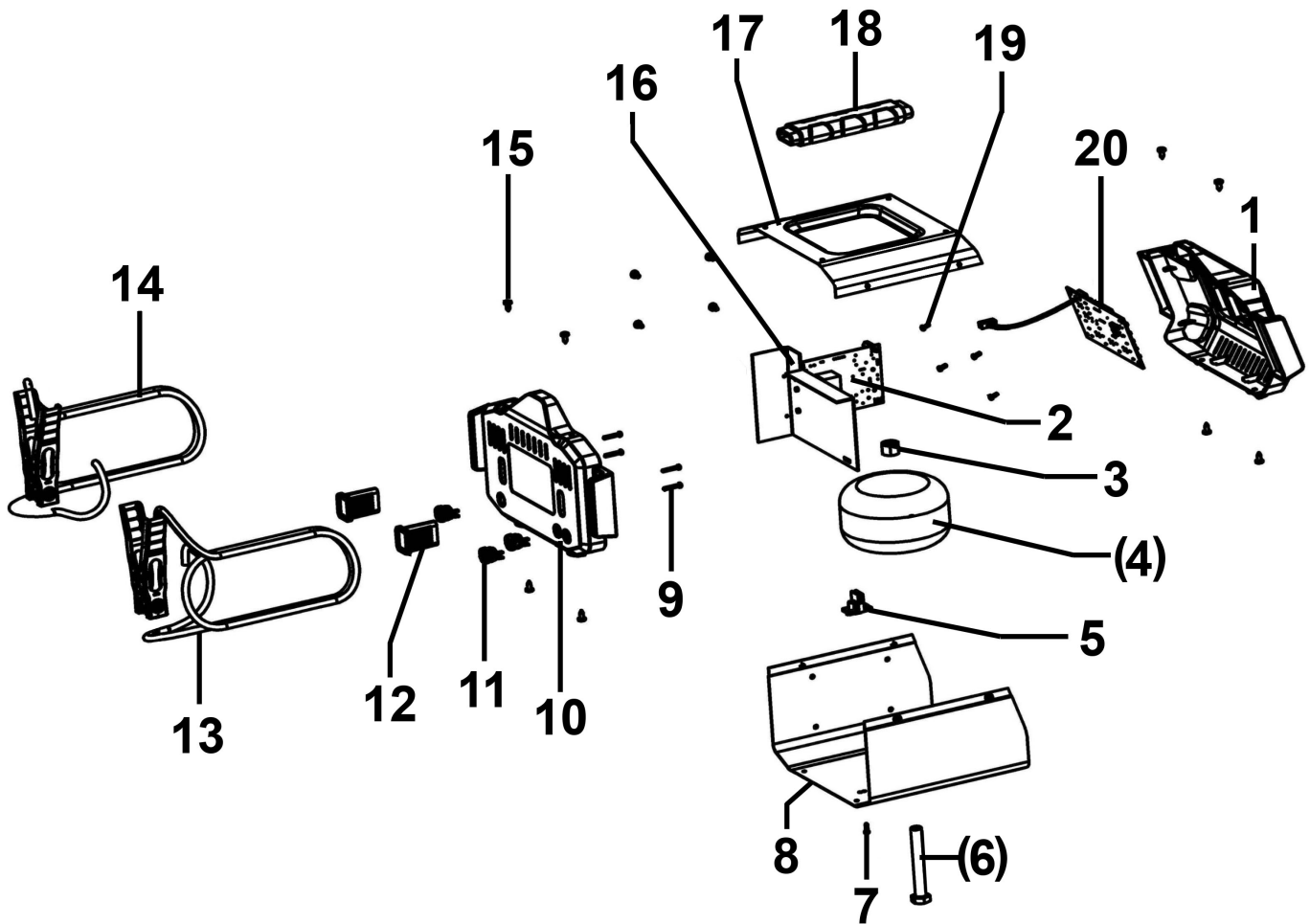




Parts Information:
**6/12V 150A Starter/15A Automatic Battery
 Charger & Maintainer**
Model No: SUPERBOOST150D



Item	Part No.	Description
1	SUPERBOOST150D-01	Front Cover
2	SUPERBOOST150D-02	PCB
3	SUPERBOOST150D-03	Transformer (inc parts 4 & 6)
5	SUPERBOOST150D-05	PCB Holder
7	SUPERBOOST150D-07	Self-Tapping Screw ST3x10
8	SUPERBOOST150D-08	Bottom Cover
9	SUPERBOOST150D-09	Self-Tapping Screw ST3x20
10	SUPERBOOST150D-10	Rear Cover
11	SUPERBOOST150D-11	Retaining Clip

Item	Part No.	Description
12	SUPERBOOST150D-12	Storage Rack for Clamps
13	SUPERBOOST150D-13	Positive Clamp Assembly
14	SUPERBOOST150D-14	Negative Clamp Assembly
15	SUPERBOOST150D-15	Self-Tapping Screw ST4x10
16	SUPERBOOST150D-16	Protection Cover
17	SUPERBOOST150D-17	Upper Cover
18	SUPERBOOST150D-18	Handle
19	SUPERBOOST150D-19	Self-Tapping Screw ST3x6
20	SUPERBOOST150D-20	Display PCB

NOTE: It is our policy to continually improve products and as such we reserve the right to alter data, specifications and component parts without prior notice. There may be alternative versions of this product, please contact us should you require this information.

IMPORTANT: No liability is accepted for incorrect use of product. Spare parts must be fitted by a competent person

WARRANTY: Guarantee is 12 months from purchase date, proof of which will be required for any claim.

Sealey Group, Kempson Way, Suffolk Business Park, Bury St Edmunds, Suffolk. IP32 7AR



01284 757500



01284 703534



sales@sealey.co.uk



www.sealey.co.uk