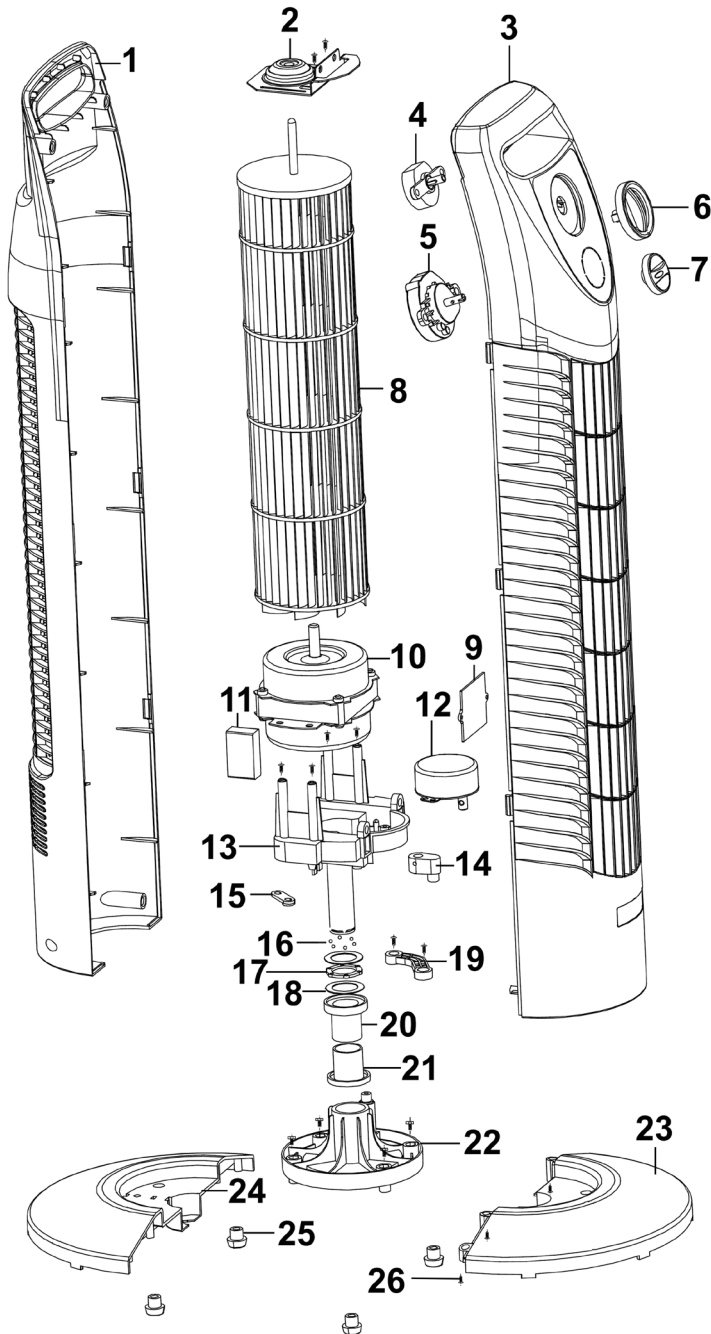


Parts Information: 3-Speed Oscillating Tower Fan 30" 230V Model No: STF30



Item	Part No.	Description	Qty
1	STF30.01	Rear Housing	1
2	STF30.02	Blade Support Plate	1
3	STF30.03	Front Housing	1
4	STF30.04	Rotary Switch	1
5	STF30.05	Timer	1
6	STF30.06	Switch Holder	1
7	STF30.07	Knob, Plastic Rotary Ø32mm x 6mm (F)	1
8	STF30.08	Fan Blade	1
9	STF30.09	Capacitor Cover	1
10	STF30.10	Motor 220-240V 40W 50Hz	1
11	STF30.11	Capacitor 1µF 450V AC 50/60HZ	1
12	STF30.12	Synchronised Motor 240V 4W 50/60Hz	1
13	STF30.13	Synchronised Motor Holder	1
14	STF30.14	Axle Handle	1
15	STF30.15	Cable Grip	1
16	SB-3.0	Steel Ball 3.0mm	6
17	STF30.17	Bearing Plate	1
18	FWM20.S	Flat Washer M20	1
19	STF30.19	Crank	1
20	STF30.20	Axle Sleeve A	1
21	STF30.21	Axle Sleeve B	1
22	STF30.22	Swivel Base	1
23	STF30.23	Front Base	1
24	STF30.24	Rear Base	1
25	STF30.25	Base Foot	4
26	STF30.26	Self-Tapping Screw ST4 x 28mm	30

NOTE: It is our policy to continually improve products and as such we reserve the right to alter data, specifications and component parts without prior notice. There may be alternative versions of this product, please contact us should you require this information.

IMPORTANT: No liability is accepted for incorrect use of product. Spare parts must be fitted by a competent person

WARRANTY: Guarantee is 12 months from purchase date, proof of which will be required for any claim.