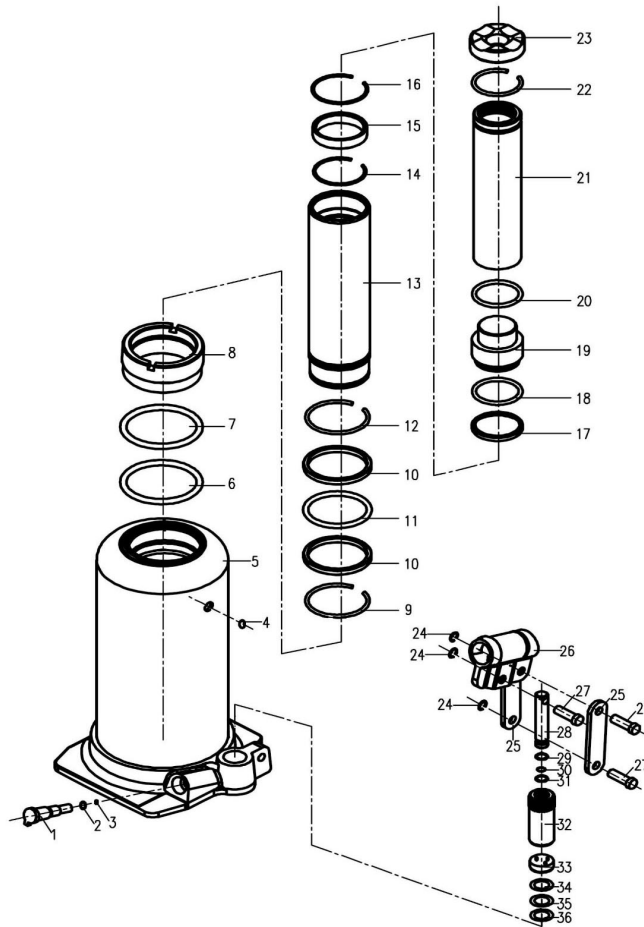


Parts Information: Bottle Jack 5tonne Telescopic Model No: STBJ5W



Item	Part No.	Description
1	STBJ5W.01	RELEASE VALVE
2	STBJ5W.02	O-RING
3	STBJ5W.03	STEEL BALL
4	STBJ5W.04	OIL FILLER PLUG
5	STBJ5W.05	BASE
6	STBJ5W.06	O-RING
7	STBJ5W.07	O-RING
8	STBJ5W.08	PISTON RING
9	STBJ5W.09	STEEL RING
10	STBJ5W.10	PISTON RING
11	STBJ5W.11	O-RING
12	STBJ5W.12	STEEL RING
13	STBJ5W.13	CYLINDER
14	STBJ5W.14	STEEL RING
15	STBJ5W.15	NYLON RING
16	STBJ5W.16	BACK-UP RING
17	STBJ5W.17	BOWL WASHER
18	STBJ5W.18	NYLON RING
19	STBJ5W.19	PISTON HEAD

Item	Part No.	Description
20	STBJ5W.20	GASKET
21	STBJ5W.21	PISTON ROD(32mm x 175mm)
22	STBJ5W.22	STEEL RING
23	STBJ5W.23	SADDLE
24	STBJ5W.24	C-CLIP
25	STBJ5W.25	LINK ROD
26	STBJ5W.26	HANDLE SOCKET
27	STBJ5W.27	AXLE PIN
28	STBJ5W.28	PUMP CORE
29	STBJ5W.29	DUSTPROOF RING
30	STBJ5W.30	STEEL WASHER
31	STBJ5W.31	O-RING
32	STBJ5W.32	PUMP CYLINDER
33	STBJ5W.33	PARTS OF SAFETY VALVE
34	STBJ5W.34	GASKET
35	STBJ5W.35	NYLON RING
36	STBJ5W.36	NYLON RING
--	STBJ5W.37	HANDLE (NOT SHOWN)
--	STBJ5W.RK	REPAIR KIT FOR STBJ5W (NOT SHOWN)

NOTE: It is our policy to continually improve products and as such we reserve the right to alter data, specifications and component parts without prior notice.

IMPORTANT: No liability is accepted for incorrect use of product.

WARRANTY: Guarantee is 12 months from purchase date, proof of which will be required for any claim.