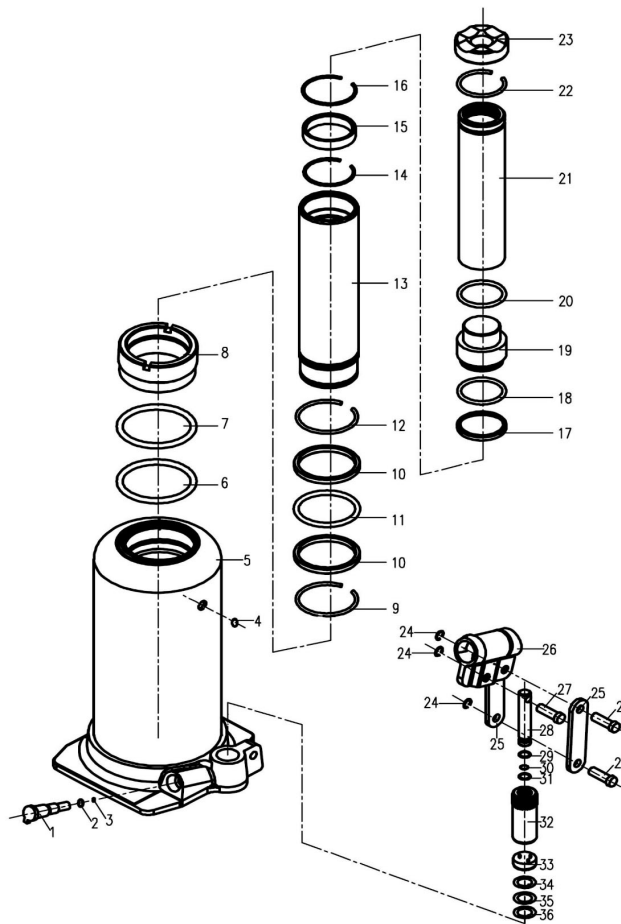




Parts Information:
Bottle Jack 4tonne Telescopic High Lift
Model No: STBJ4HLW



Item	Part No.	Description
1	STBJ4HLW.01	RELEASE VALVE
2	STBJ4HLW.02	O-RING
3	STBJ4HLW.03	STEEL BALL
4	STBJ4HLW.04	OIL FILLER PLUG
5	STBJ4HLW.05	BASE
6	STBJ4HLW.06	O-RING
7	STBJ4HLW.07	O-RING
8	STBJ4HLW.08	PISTON RING
9	STBJ4HLW.09	STEEL RING
10	STBJ4HLW.10	PISTON RING
11	STBJ4HLW.11	STEEL RING
12	STBJ4HLW.12	STEEL RING
13	STBJ4HLW.13	CYLINDER
14	STBJ4HLW.14	STEEL RING
15	STBJ4HLW.15	NYLON RING
16	STBJ4HLW.16	BACK-UP RING
17	STBJ4HLW.17	SEAL
18	STBJ4HLW.18	NYLON RING
19	STBJ4HLW.19	PISTON HEAD

Item	Part No.	Description
20	STBJ4HLW.20	GASKET
21	STBJ4HLW.21	PISTON ROD
22	STBJ4HLW.22	STEEL RING
23	STBJ4HLW.23	SADDLE
24	STBJ4HLW.24	C-CLIP
25	STBJ4HLW.25	LINK ROD
26	STBJ4HLW.26	HANDLE SOCKET
27	STBJ4HLW.27	AXLE PIN
28	STBJ4HLW.28	PUMP CORE
29	STBJ4HLW.29	DUSTPROOF RING
30	STBJ4HLW.30	STEEL WASHER
31	STBJ4HLW.31	O-RING
32	STBJ4HLW.32	PUMP CYLINDER
33	STBJ4HLW.33	PARTS OF SAFETY VALVE
34	STBJ4HLW.34	GASKET
35	STBJ4HLW.35	NYLON RING
36	STBJ4HLW.36	NYLON RING
--	STBJ4HLW.37	HANDLE (NOT SHOWN)
--	STBJ4HLW.RK	REPAIR KIT FOR STBJ4HLW (NOT SHOWN)

NOTE: It is our policy to continually improve products and as such we reserve the right to alter data, specifications and component parts without prior notice.

IMPORTANT: No liability is accepted for incorrect use of product.

WARRANTY: Guarantee is 12 months from purchase date, proof of which will be required for any claim.

Sealey Group, Kempson Way, Suffolk Business Park, Bury St Edmunds, Suffolk. IP32 7AR



01284 757500



01284 703534



sales@sealey.co.uk



www.sealey.co.uk