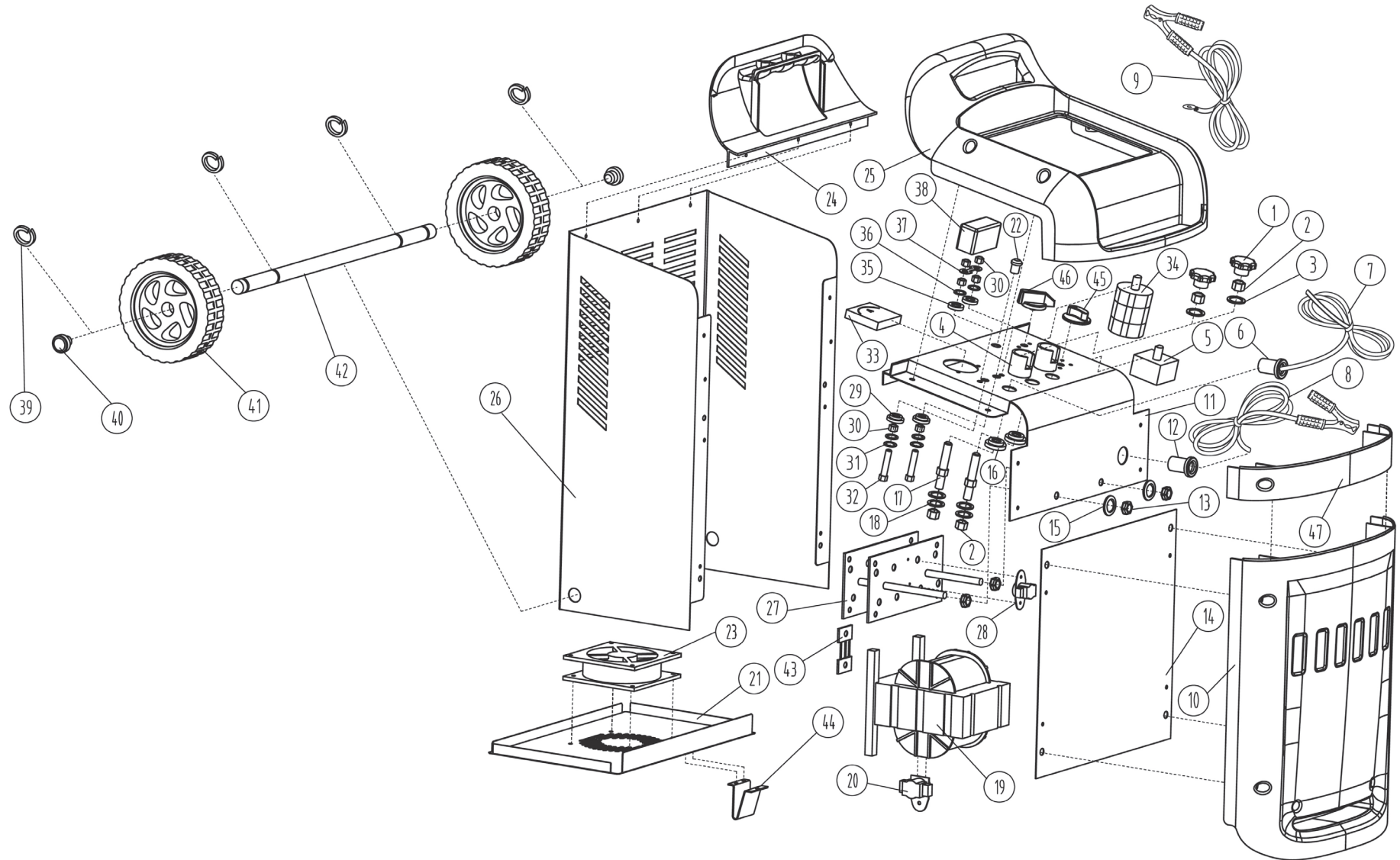




Parts Information:
Starter/Charger 660/100Amp 12/24V 230V
Model No: START660



Sealey Group, Kempson Way, Suffolk Business Park, Bury St Edmunds, Suffolk. IP32 7AR



01284 757500



01284 703534



sales@sealey.co.uk



www.sealey.co.uk



Parts Information:
Starter/Charger 660/100Amp 12/24V 230V
Model No: START660

Item	Part No.	Description
1	START800.01	KNOB
2	SN8.S	STEEL NUT M8 ZINC DIN934 (SINGLE)
3	FWM8.S	FLAT WASHER M8 SINGLE
4	START800.04	TERMINAL PROTECTION COVER
5	START800.05	TIMER SWITCH
6	START660.06	CABLE GRIP
7	START660.07	POWER CORD
8	START660.08	NEGATIVE CABLE WITH CLAMP
9	START660.09	POSITIVE CABLE WITH CLAMP
10	START660.10	FRONT PLASTIC PANEL
11	START660.11	TOP PANEL
12	START660.12	CABLE GRIP
13	SN8.S	STEEL NUT M8 ZINC DIN934 (SINGLE)
14	START800.14	COVER PANEL
15	START800.15	SERRATED WASHER 8
16	START800.16	INSULATING WASHER
17	START800.17	TERMINAL BOLT M8
18	FWM8.S	FLAT WASHER M8 SINGLE
19	START660.19	TRANSFORMER
20	START660.20	THERMOSTAT (FOR TRANSFORMER)
21	START660.21	BOTTOM PANEL
22	START660.22	OVERLOAD INDICATOR
23	START660.23	FAN
24	START800.24	HANDLE SUPPORT PANEL

Item	Part No.	Description
25	START800.25	TOP PLASTIC COVER
26	START660.26	BACK PANEL
27	START660.27	RECTIFIER
28	START660.28	THERMOSTAT (FOR RECTIFIER)
29	START800.29	INSULATING WASHER (A)
30	SN6.S	STEEL NUT M6 ZINC DIN934 (SINGLE)
31	FWM6.S	FLAT WASHER M6 SINGLE
32	SS635.S	HEX HEAD SET SCREW M6x35mm SINGLE
33	START800.33	AMMETER
34	START660.34	SWITCH
35	START800.35	INSULATING WASHER (B)
36	FWM6.S	FLAT WASHER M6 SINGLE
37	START.F	FUSE (SINGLE) 110A
--	START.20F	FUSE (PACK OF 20) 110A
38	START800.38	FUSE BOX
39	SWM12.S	SPRING WASHER M12 ZINC (SINGLE)
40	START800.40	AXLE CAP
41	START800.41	WHEEL
42	START800.42	WHEEL AXLE
43	START660.43	SHUNT
44	START800.44	FOOT
45	START800.45	TIMER SWITCH KNOB
46	START800.46	SWITCH KNOB
47	START800.47	HEIGHT ADJUSTING PANEL

NOTE: It is our policy to continually improve products and as such we reserve the right to alter data, specifications and component parts without prior notice.

IMPORTANT: No liability is accepted for incorrect use of product.

WARRANTY: Guarantee is 12 months from purchase date, proof of which will be required for any claim.

Sealey Group, Kempson Way, Suffolk Business Park, Bury St Edmunds, Suffolk. IP32 7AR



01284 757500



01284 703534



sales@sealey.co.uk



www.sealey.co.uk