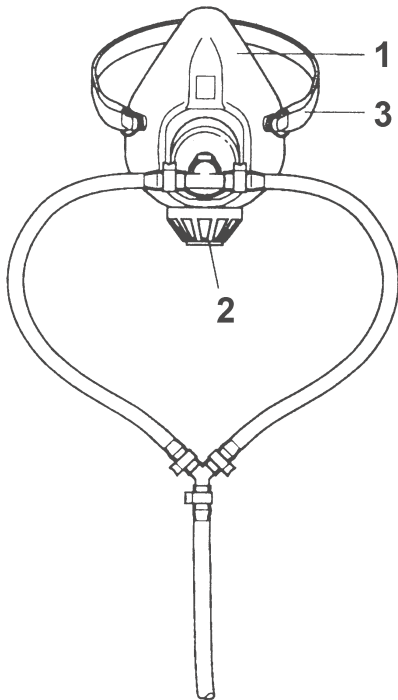
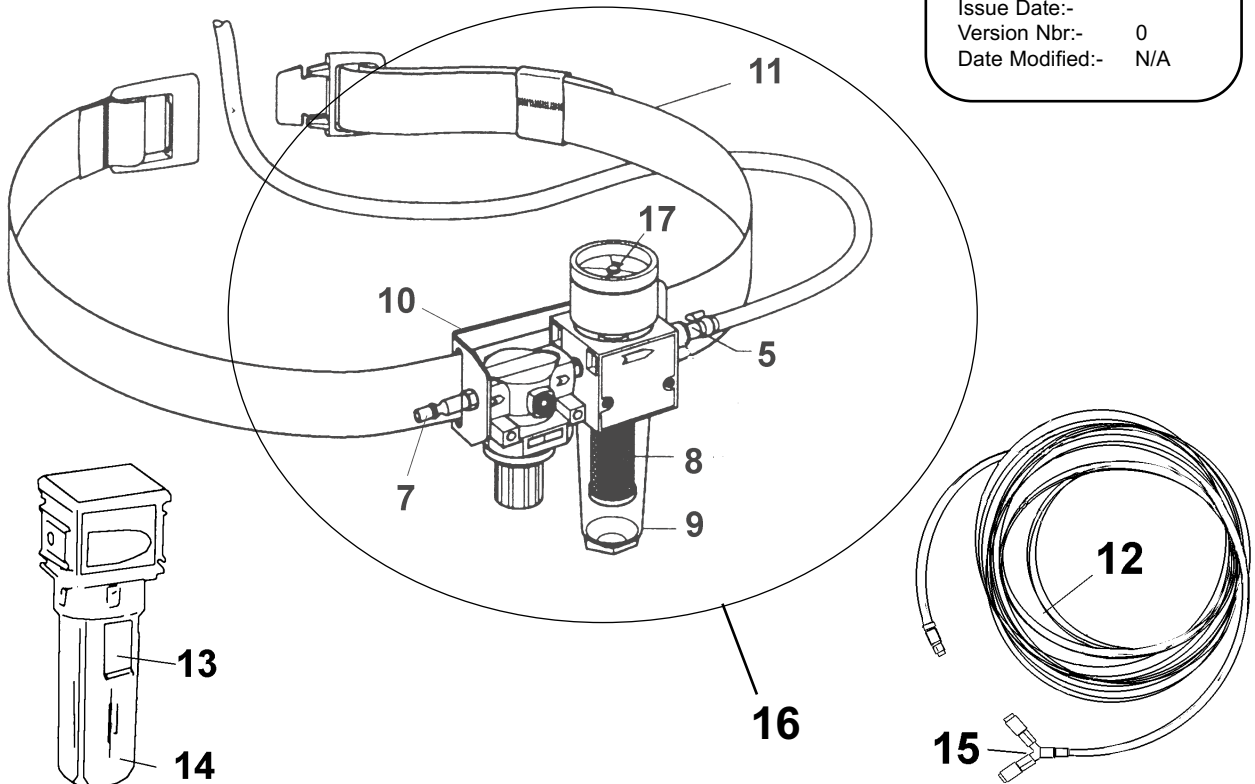


Parts List for Air-Fed Half Mask System Model No: SSP25 & SSP25K



Item	Part Number	Description
SSP25 & SSP25K		
1	SSP25/2114009	Half Mask
2	SSP25/2114019	Exhale Valve
3	SSP25/2114029	Harness
5	SSP20/814MB	Bayonette 1/4" BSPT Male
7	SSP20/MR120814	Connector, Belt Outlet
8	SSP20/2/C	Actuated Carbon Cartridge
9	SSP20/97800145	Bowl
10	SSP25/34303003	Bracket
11	SSP20/Belt-B/A	Belt Only
16	SSP25/RFI 13-6	Belt C/W Flow Indicator
		Items 5,7,8,9,10,11,11,17 inclusive
17	SSP25/RFI 13-6G	Flow indicator gauge
SSP25K only		
12	SSP20H	Air Hose Low Risk 10M
13	SSP21/2/CX	Coalescing Filter Element
14	SSP21X	Coalescing Filter
15	SSP20/BA101YC	"Y" Coupling



Original Date:- 181197
Issue Date:-
Version Nbr:- 0
Date Modified:- N/A