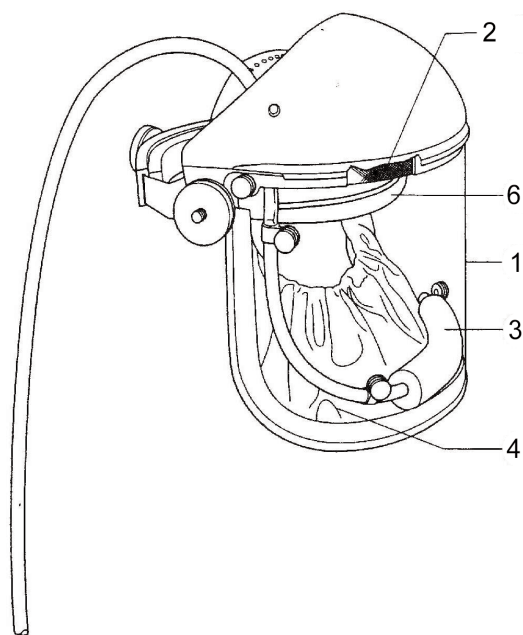


PARTS LIST FOR: COMPLETE AIR-FED BREATHING SYSTEM MODELS: **SSP200 & SSP200K**



Item	Part No	Description
Models: SSP200 & SSP200K		
1	SSP20/2115079	VISOR NEW TYPE ANGLED SCREEN
2	SSP20/2115119	BROW SEAL
3	SSP20/2115189	AIR SUPPLY TUBE & BAFFLE
4	SSP20/2215089	FACE SKIRT
5	SSP20/814MB	BAYONETTE 1/4"BSPT MALE
6	SSP20/0305199	SWEAT BAND, BROW
7	159/MR120814	CONNECTOR, BELT OUTLET
8	SSP20/2/C	CARBON CARTRIDGE
9	159/97800145	FILTER BOWL, BELT PACK
10	159/34303003	BRACKET
11	159/BELT-B/A	BELT
18	159/RFI 13-6G	GAUGE, FLOW INDICATION

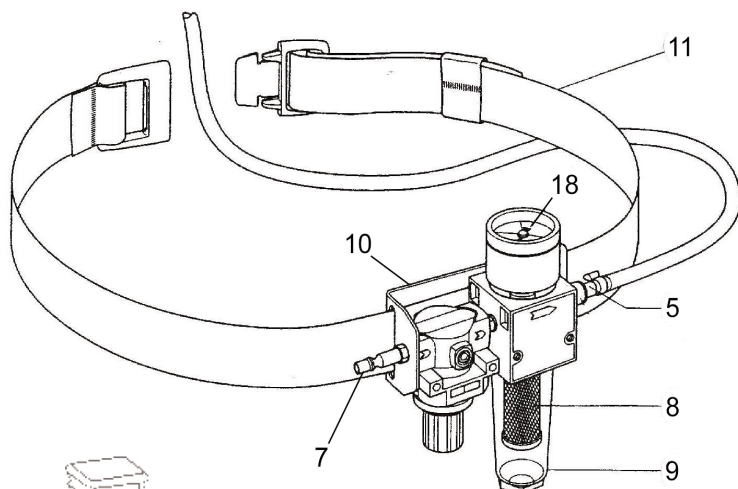
-- 159/RFI 13-6 BELT C/W FLOW INDICATOR
(Items 5, 7, 8, 9, 10, 11)

-- SSP20/2114129 VISOR ASSEMBLY
(Items 1, 2, 3, 4)

Model: SSP200K Only

12	SSP20H	LOW TOXIC BREATHING HOSE 10mtr
14	SSP21X	COALESCENT FILTER FOR SSP20
15	SSP20/BA101YC	Y COUPLING WITH 8mm HOSE END

Issue: 2
Date Issued: 25/09/2008



NOTE: It is our policy to continually improve products and as such we reserve the right to alter data, specifications and component parts without prior notice.

IMPORTANT: No liability is accepted for incorrect use of product.

WARRANTY: Guarantee is 12 months from purchase date, proof of which will be required for any claim.

INFORMATION: For a copy of our latest catalogue and promotions call us on 01284 757525 and leave your full name and address, including postcode.