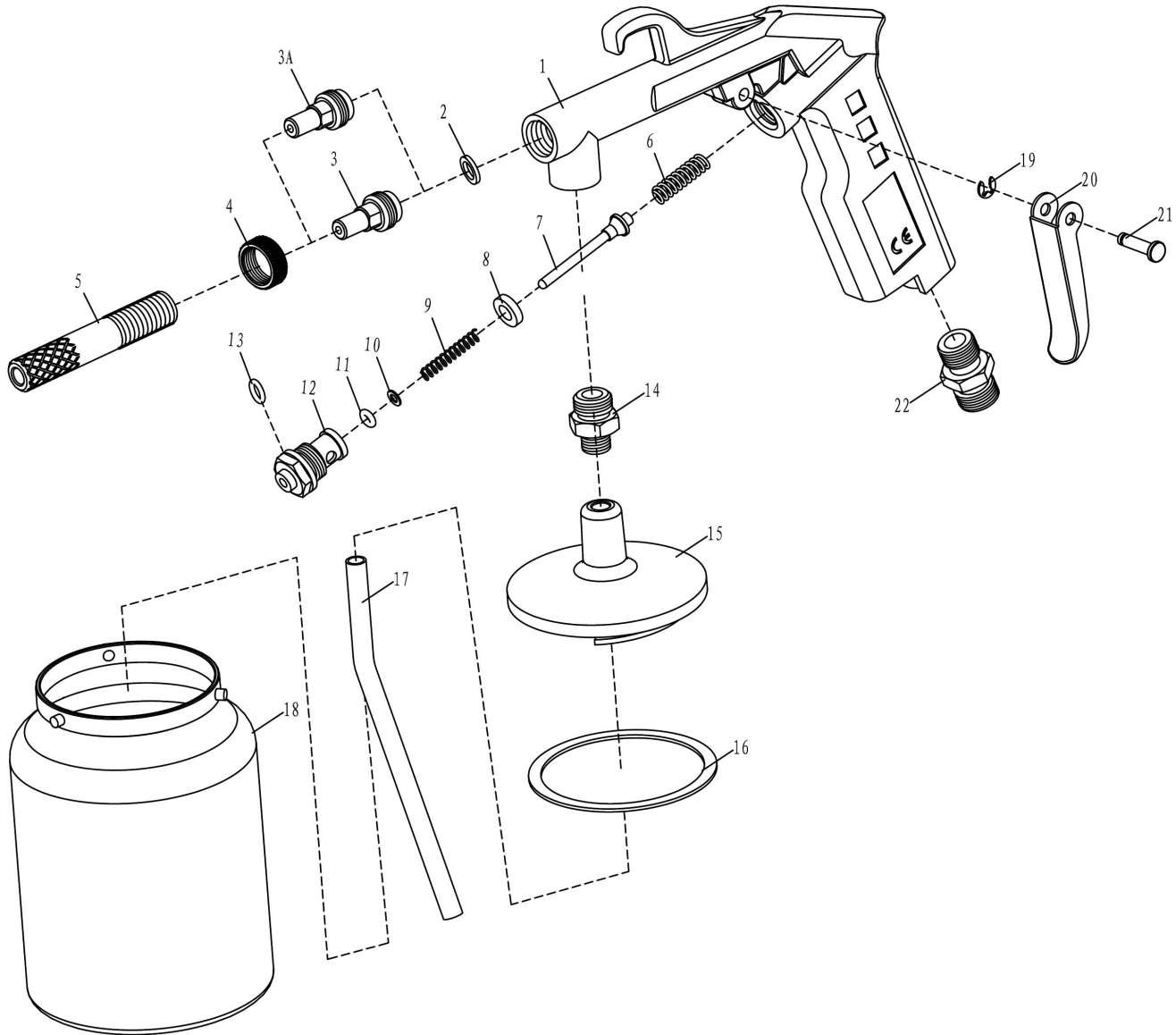




Parts Information:  
**Sandblasting Gun Economy Type with  
 6mm Nozzle**  
**Model No: SSG8E.V3**



Item	Part No.	Description
1	SSG8E.V3-01	GUN BODY
2	SSG8E.V3-02	AIR NOZZLE GASKET
3	SSG8E.V3-03	AIR NOZZLE
--	SSG8E.V3-03A	AIR NOZZLE (NOT SHOWN)
4	SSG8E.V3-04	LOCK NUT
5	SSG8E.V3-05	NOZZLE
6	SSG8E.V3-06	AIR VALVE SPRING
7	SSG8E.V3-07	AIR VALVE STEM ASS'Y
8	SSG8E.V3-08	GASKET
9	SSG8E.V3-09	AIR VALVE SPRING
10	SSG8E.V3-10	GASKET
11	SSG8E.V3-11	O-RING (2x2mm)

Item	Part No.	Description
12	SSG8E.V3-12	AIR VALVE BODY
13	SSG8E.V3-13	O-RING (8x1.8mm)
14	SSG8E.V3-14	COUPLING
15	SSG8E.V3-15	POT LID
16	SSG8E.V3-16	GASKET SEAL
17	SSG8E.V3-17	DIP TUBE
18	SSG8E.V3-18	POT
19	SSG8E.V3-19	C-CLIP
20	SSG8E.V3-20	TRIGGER
21	SSG8E.V3-21	TRIGGER PIN
22	SSG8E.V3-22	AIR JOINT

**NOTE:** It is our policy to continually improve products and as such we reserve the right to alter data, specifications and component parts without prior notice.

**IMPORTANT:** No liability is accepted for incorrect use of product.

**WARRANTY:** Guarantee is 12 months from purchase date, proof of which will be required for any claim.

**Sealey Group**, Kempson Way, Suffolk Business Park, Bury St Edmunds, Suffolk. IP32 7AR



01284 757500



01284 703534



sales@sealey.co.uk



www.sealey.co.uk