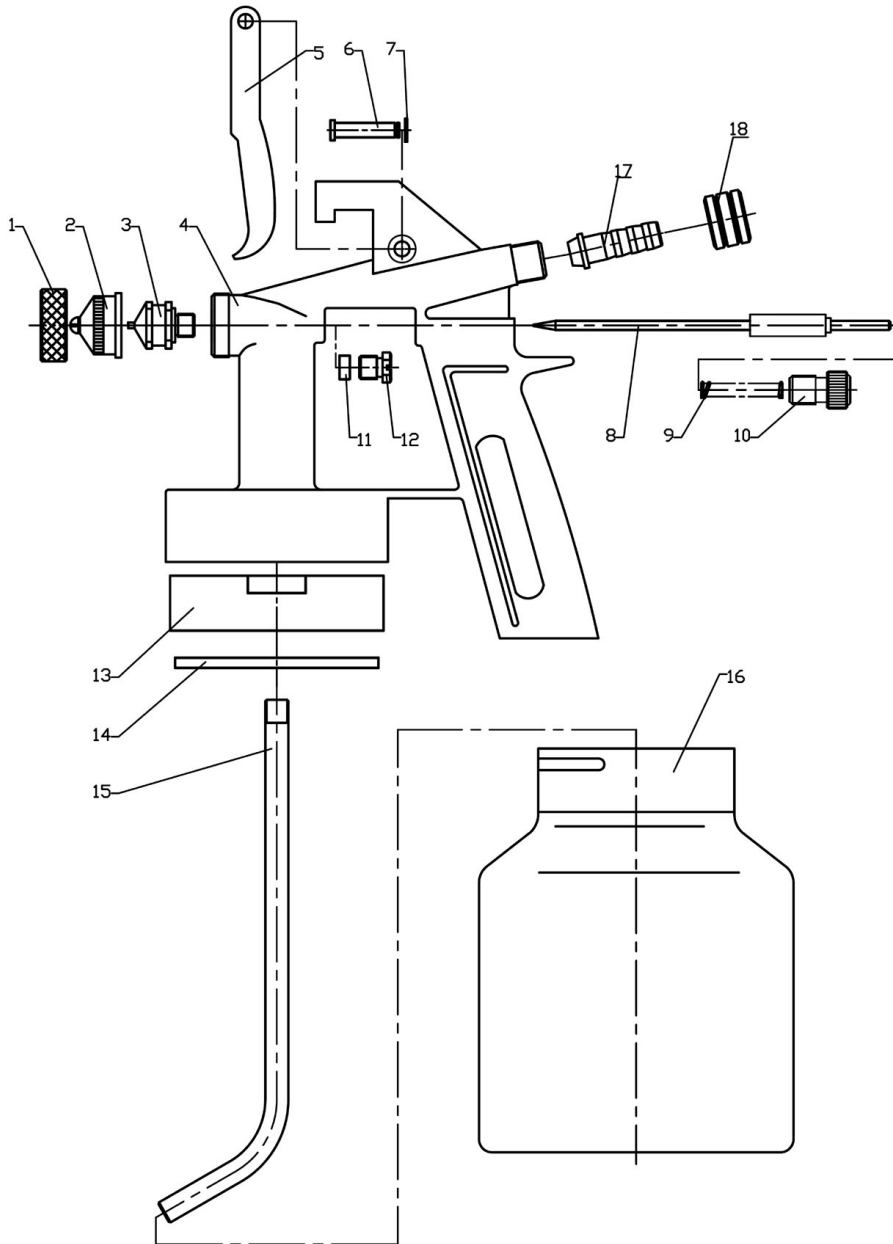




Parts Information:
**Spray Gun Low Pressure Suction Feed
 1.3mm Set-Up
 Model No: SSG701.V2**



Item	Part No.	Description
1	SSG701.V2-01	RETAINING RING
2	SSG701.V2-02	AIR CAP (1.3mm)
3	SSG701.V2-03	FLUID NOZZLE (1.3mm)
4	SSG701.V2-04	BODY
5	SSG701.V2-05	TRIGGER
6	SSG701.V2-06	TRIGGER PIN
7	SSG701.V2-07	C-RING
8	SSG701.V2-08	FLUID NEEDLE (1.3mm)
9	SSG701.V2-09	SPRING

Item	Part No.	Description
10	SSG701.V2-10	REGULATION SCREW
11	SSG701.V2-11	NEEDLE PACKING
12	SSG701.V2-12	NEEDLE PACKING SCREW
13	SSG701.V2-13	POT LID
14	SSG701.V2-14	POT LID GASKET
15	SSG701.V2-15	DIP TUBE
16	SSG701.V2-16	POT
17	SSG701.V2-17	FLUID POT CONNECTOR
18	SSG701.V2-18	CONTACT NUT

NOTE: It is our policy to continually improve products and as such we reserve the right to alter data, specifications and component parts without prior notice.

IMPORTANT: No liability is accepted for incorrect use of product.

WARRANTY: Guarantee is 12 months from purchase date, proof of which will be required for any claim.

Sealey Group, Kempson Way, Suffolk Business Park, Bury St Edmunds, Suffolk. IP32 7AR



01284 757500



01284 703534



sales@sealey.co.uk



www.sealey.co.uk