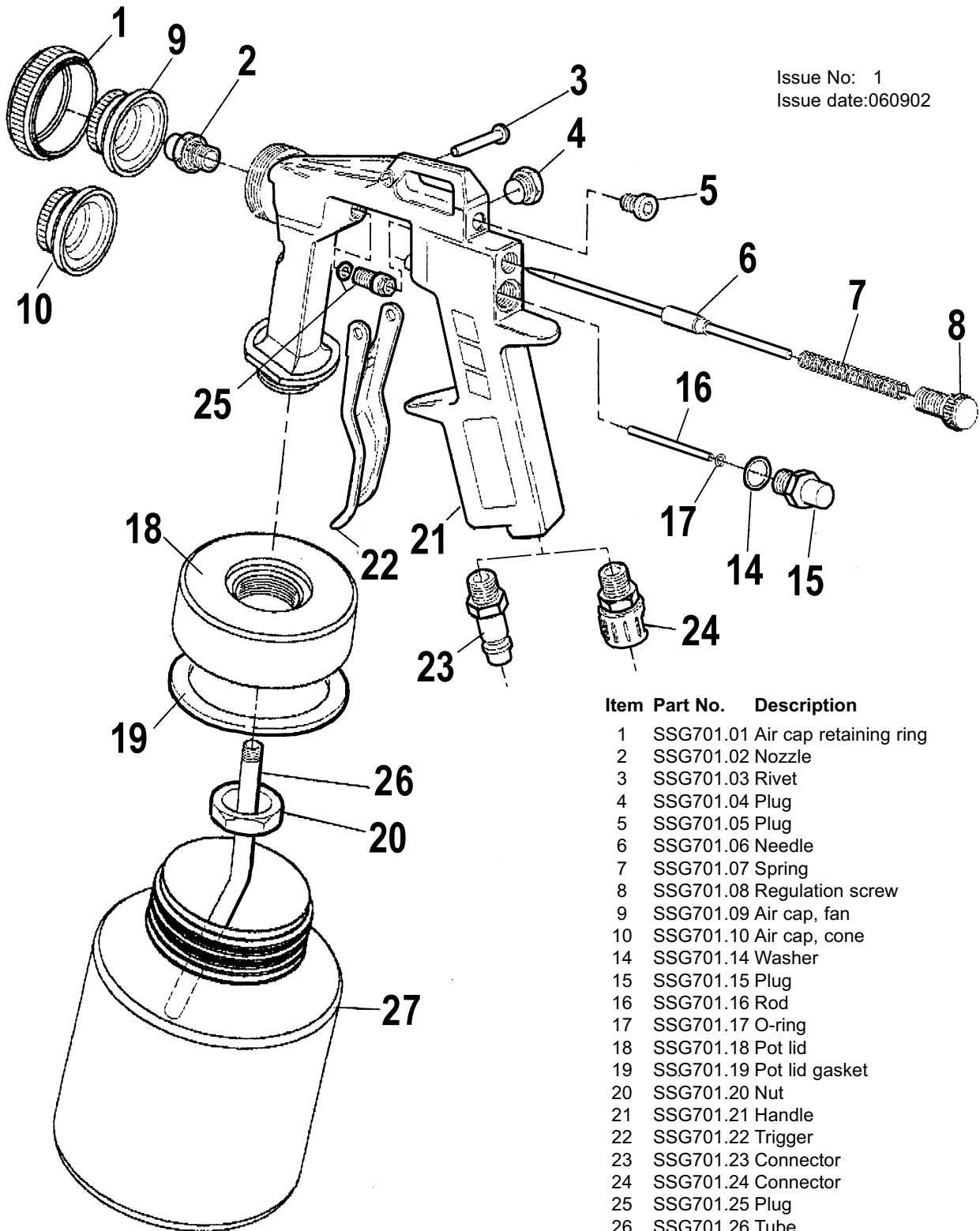


Issue No: 1  
 Issue date:060902



Item	Part No.	Description
1	SSG701.01	Air cap retaining ring
2	SSG701.02	Nozzle
3	SSG701.03	Rivet
4	SSG701.04	Plug
5	SSG701.05	Plug
6	SSG701.06	Needle
7	SSG701.07	Spring
8	SSG701.08	Regulation screw
9	SSG701.09	Air cap, fan
10	SSG701.10	Air cap, cone
14	SSG701.14	Washer
15	SSG701.15	Plug
16	SSG701.16	Rod
17	SSG701.17	O-ring
18	SSG701.18	Pot lid
19	SSG701.19	Pot lid gasket
20	SSG701.20	Nut
21	SSG701.21	Handle
22	SSG701.22	Trigger
23	SSG701.23	Connector
24	SSG701.24	Connector
25	SSG701.25	Plug
26	SSG701.26	Tube
27	SSG701.27	Pot

**NOTE:** It is our policy to continually improve products and as such we reserve the right to alter data, specifications and component parts without prior notice.

**IMPORTANT:** No responsibility is accepted for incorrect use of this product.

**WARRANTY:** Guarantee is 12 months from purchase date, proof of which will be required for any claim.

**INFORMATION:** For a copy of our latest catalogue and promotions call 01284 757525 and leave your name and address, including postcode.