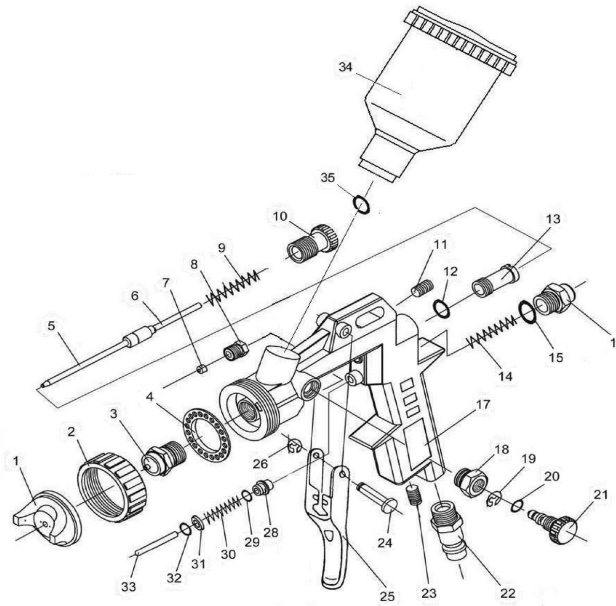


Parts Information: Spray Gun Gravity Feed 2.2mm Set-Up Model No: SSG501.V3



| Item | Part No. | Description |
|------|---------------|---------------------------|
| 1 | SSG401.V2-01B | AIR CAP (1.8mm) |
| | SSG401.V2-01 | AIR CAP (1.5mm) |
| | SSG401.V2-01A | AIR CAP (1.2mm) |
| | SSG401.V2-01C | AIR CAP (2.0mm) |
| | SSG401.V2-01D | AIR CAP (2.2mm) |
| | SSG401.V2-01E | AIR CAP (2.5mm) |
| 2 | SSG401.V2-02 | AIR CAP RETAINING RING |
| 3 | SSG401.V2-03B | FLUID NOZZLE (1.8mm) |
| | SSG401.V2-03 | FLUID NOZZLE (1.5mm) |
| | SSG401.V2-03A | FLUID NOZZLE (1.2mm) |
| | SSG401.V2-03C | FLUID NOZZLE (2.0mm) |
| | SSG401.V2-03D | FLUID NOZZLE (2.2mm) |
| | SSG401.V2-03E | FLUID NOZZLE (2.5mm) |
| 4 | SSG401.V2-04 | GASKET |
| 5 | SSG401.V2-05B | FLUID NEEDLE (1.8mm) |
| | SSG401.V2-05 | FLUID NEEDLE (1.5mm) |
| | SSG401.V2-05A | FLUID NEEDLE (1.2mm) |
| | SSG401.V2-05C | FLUID NEEDLE (2.0mm) |
| | SSG401.V2-05D | FLUID NEEDLE (2.2mm) |
| | SSG401.V2-05E | FLUID NEEDLE (2.5mm) |
| 6 | SSG401.V2-06 | SPRING AXIS |
| 7 | SSG401.V2-07 | PACKING |
| 8 | SSG401.V2-08 | PACKING SEAT |
| 9 | SSG401.V2-09 | FLUID NEEDLE SPRING |
| 10 | SSG401.V2-10 | FLUID ADJUSTMENT KNOB |
| 11 | GSM810.S | GRUB SCREW M8x10 (SINGLE) |
| 12 | SSG401.V2-12 | O-RING |
| 13 | SSG401.V2-13 | FLUID ADJUSTMENT GUIDE |

| Item | Part No. | Description |
|------|---------------|--|
| 14 | SSG401.V2-14 | AIR VALVE SPRING |
| 15 | SSG401.V2-15 | O-RING |
| 16 | SSG401.V2-16 | PACKING SEAT |
| 17 | SSG501.V3-17 | GUN BODY |
| 18 | SSG401.V2-18 | PACKING SEAT |
| 19 | SSG401.V2-19 | STOP RING |
| 20 | SSG401.V2-20 | O-RING |
| 21 | SSG401.V2-21 | FLUID ADJUSTING SCREW |
| 22 | SSG401.V2-22 | AIR JOINT |
| 23 | SSG401.V2-23 | SCREW |
| 24 | SSG401.V2-24 | TRIGGER STUD |
| 25 | SSG401.V2-25 | TRIGGER |
| 26 | SSG401.V2-26 | STOP RING |
| 28 | SSG401.V2-33 | AIR VALVE ROD ASSY |
| 29 | SSG401.V2-29 | O-RING |
| 30 | SSG401.V2-30 | PACKING SPRING |
| 31 | SSG401.V2-31 | GASKET |
| 32 | SSG401.V2-32 | O-RING |
| 33 | SSG401.V2-33 | AIR VALVE ROD ASSY |
| 34 | SSG501.V3-34 | GRAVITY FEED CUP |
| 35 | SSG501.V3-35 | O-RING |
| -- | SSG401V2-S1.2 | SSG401-SSG501 SET-UP 1.2mm (NOT SHOWN) |
| -- | SSG401V2-S1.5 | SSG401-SSG501 SET-UP 1.5mm (NOT SHOWN) |
| -- | SSG401V2-S1.8 | SSG401-SSG501 SET-UP 1.8mm (NOT SHOWN) |
| -- | SSG401V2-S2.0 | SSG401-SSG501 SET-UP 2.0mm (NOT SHOWN) |
| -- | SSG401V2-S2.2 | SSG401-SSG501 SET-UP 2.2mm (NOT SHOWN) |
| -- | SSG401V2-S2.5 | SSG401-SSG501 SET-UP 2.5mm (NOT SHOWN) |

NOTE: It is our policy to continually improve products and as such we reserve the right to alter data, specifications and component parts without prior notice.

IMPORTANT: No liability is accepted for incorrect use of product.

WARRANTY: Guarantee is 12 months from purchase date, proof of which will be required for any claim.