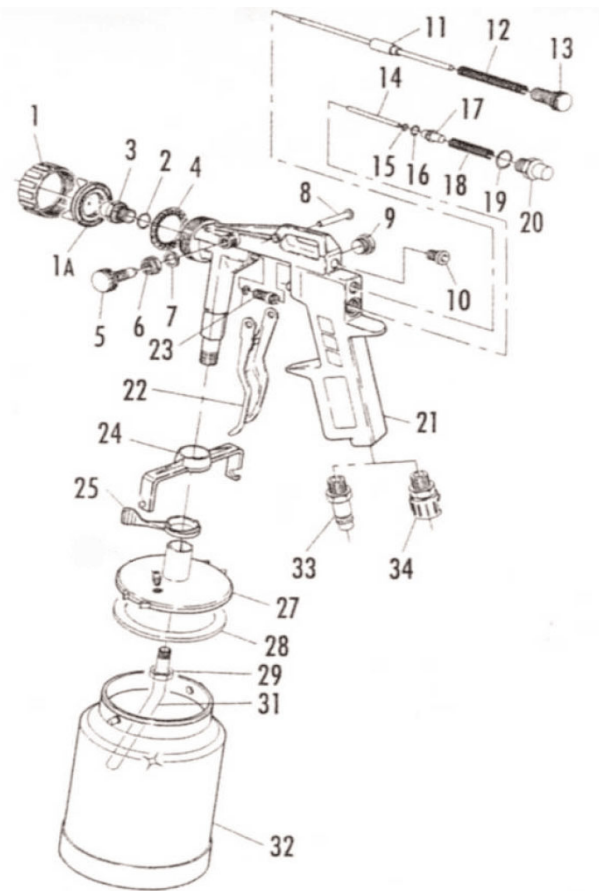


Parts Information: Spray Gun Suction Feed 1.5mm Set-Up Model No: SSG401



Item	Part No.	Description
1	SSG401/01	Air Cap Retaining Ring
1A	SSG401/01A	Air Cap
2	SSG401/02	O-Ring
3	SSG401/03	Nozzle
4	SSG401/04	Seal Ring So
5	SSG401/05	Regulation Screw
6	SSG401/06	Nut
7	SSG401/07	Washer
8	SSG401/08	Rivet
9	SSG401/09	Screw
10	SSG401/10	Screw
11	SSG401/11	Needle
12	SSG401/12	Spring
13	SSG401/13	Regulator
14	SSG401/14	Piston Rod
15	SSG401/15	O-Ring
16	SSG401/16	O-Ring
17	SSG401/17	Valve
18	SSG401/18	Spring

Item	Part No.	Description
19	SSG401/19	Washer
20	SSG401/20	Screw
21	SSG401/21	Handle
22	SSG401/22	Trigger
23	SSG401/23	Plug
24	SSG401/24	Yoke
25	SSG401/25	Lid Lock
27	SSG401/27	Pot Lid
28	SSG401/28	Pot Gasket
29	SSG401/29	Nut
31	SSG401/31	Tube
32	SSG401/32	Pot
33	SSG401/33	Connector
34	SSG401/34	Coupling
--	SSG501-SET1.2	Set-Up 1.2mm (NOT SHOWN)
--	SSG501-SET1.5	Set-Up 1.5mm (NOT SHOWN)
--	SSG501-SET1.8	Set-Up 1.8mm (NOT SHOWN)
--	SSG501-SET2.0	Set-Up 2.0mm (NOT SHOWN)
--	SSG501-SET2.2	Set-Up 2.2mm (NOT SHOWN)

NOTE: It is our policy to continually improve products and as such we reserve the right to alter data, specifications and component parts without prior notice.

IMPORTANT: No liability is accepted for incorrect use of product.

WARRANTY: Guarantee is 12 months from purchase date, proof of which will be required for any claim.