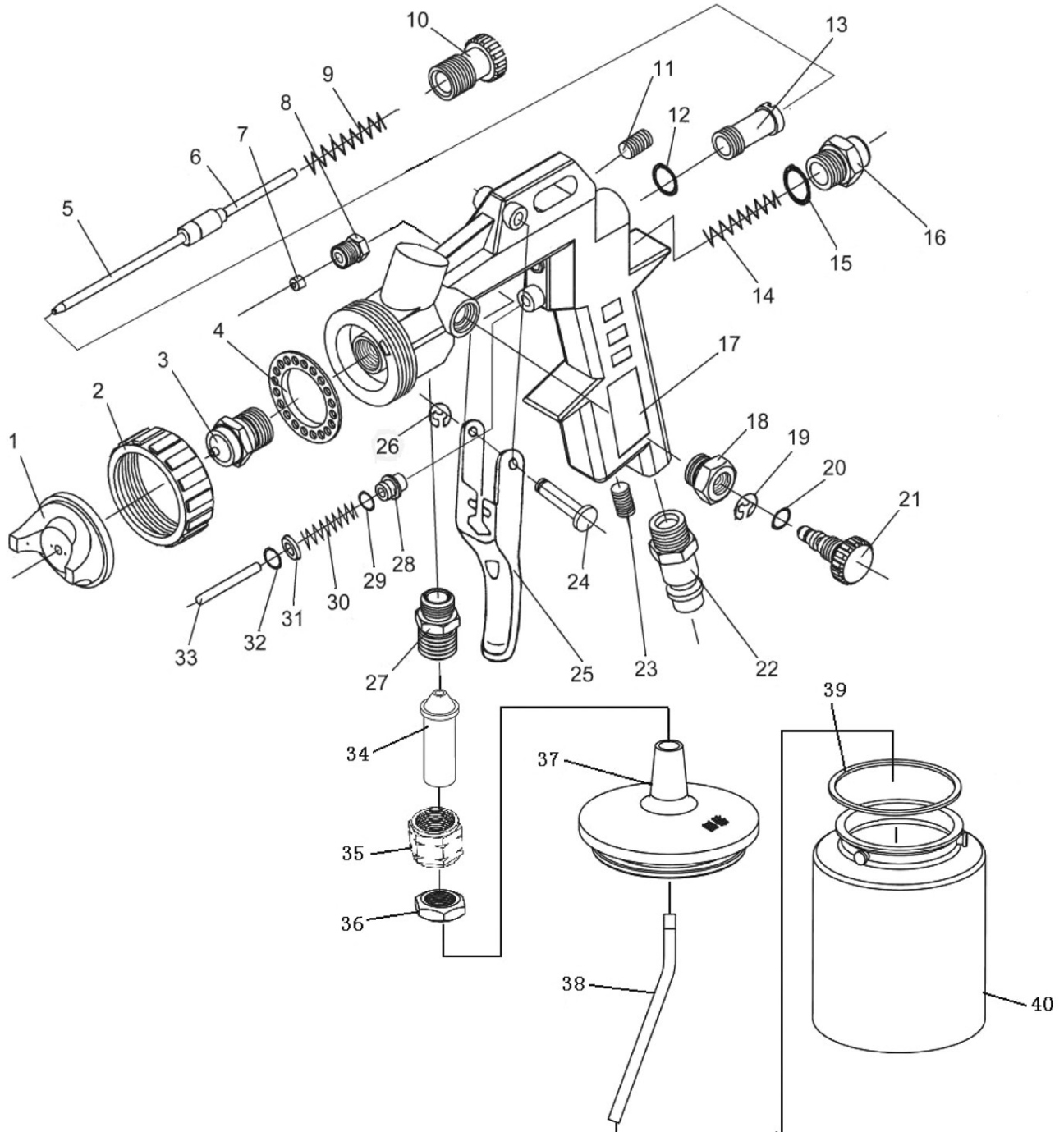




Parts Information:
**Spray Gun Suction Feed General Purpose
1.5mm Set-Up
Model No: SSG2.V2**



NOTE: It is our policy to continually improve products and as such we reserve the right to alter data, specifications and component parts without prior notice.

IMPORTANT: No liability is accepted for incorrect use of product.

WARRANTY: Guarantee is 12 months from purchase date, proof of which will be required for any claim.

Sealey Group, Kempson Way, Suffolk Business Park, Bury St Edmunds, Suffolk. IP32 7AR



01284 757500



01284 703534



sales@sealey.co.uk



www.sealey.co.uk



Parts Information:
**Spray Gun Suction Feed General Purpose
1.5mm Set-Up
Model No: SSG2.V2**

Item	Part No.	Description
1	SSG2.V2-01	AIR CAP (1.5mm)
--	SSG2.V2-01A	AIR CAP (1.2mm) (NOT SHOWN)
--	SSG2.V2-01B	AIR CAP (1.8mm) (NOT SHOWN)
--	SSG2.V2-01C	AIR CAP (2.0mm) (NOT SHOWN)
--	SSG2.V2-01D	AIR CAP (2.2mm) (NOT SHOWN)
--	SSG2.V2-01E	AIR CAP (2.5mm) (NOT SHOWN)
2	SSG2.V2-02	AIR CAP RETAINING RING
3	SSG2.V2-03	FLUID NOZZLE (1.5mm)
--	SSG2.V2-03A	FLUID NOZZLE (1.2mm) (NOT SHOWN)
--	SSG2.V2-03B	FLUID NOZZLE (1.8mm) (NOT SHOWN)
--	SSG2.V2-03C	FLUID NOZZLE (2.0mm) (NOT SHOWN)
--	SSG2.V2-03D	FLUID NOZZLE (2.2mm) (NOT SHOWN)
--	SSG2.V2-03E	FLUID NOZZLE (2.5mm) (NOT SHOWN)
4	SSG2.V2-04	GASKET
5	SSG2.V2-05	FLUID NEEDLE (1.5mm)
--	SSG2.V2-05A	FLUID NEEDLE (1.2mm) (NOT SHOWN)
--	SSG2.V2-05B	FLUID NEEDLE (1.8mm) (NOT SHOWN)
--	SSG2.V2-05C	FLUID NEEDLE (2.0mm) (NOT SHOWN)
--	SSG2.V2-05D	FLUID NEEDLE (2.2mm) (NOT SHOWN)
--	SSG2.V2-05E	FLUID NEEDLE (2.5mm) (NOT SHOWN)
6	SSG2.V2-06	SPRING AXIS
7	SSG2.V2-07	PACKING
8	SSG2.V2-08	PACKING SEAT
9	SSG2.V2-09	FLUID NEEDLE SPRING
10	SSG401.V2-10	FLUID ADJUSTMENT KNOB
11	SSG2.V2-11	GRUB SCREW M8X10
12	SSG2.V2-12	O-RING
13	SSG2.V2-13	FLUID ADJUSTMENT GUIDE
14	SSG2.V2-14	AIR VALVE SPRING
15	SSG2.V2-15	O-RING
16	SSG2.V2-16	PACKING SEAT

Item	Part No.	Description
17	SSG2.V2-17	BODY
18	SSG2.V2-18	PACKING SEAT
19	SSG2.V2-19	STOP RING
20	SSG2.V2-20	O-RING
21	SSG2.V2-21	FLUID ADJUSTING SCREW
22	SSG2.V2-22	AIR JOINT
23	SSG2.V2-23	SCREW
24	SSG2.V2-24	TRIGGER STUD
25	SSG2.V2-25	TRIGGER
26	SSG2.V2-26	STOP RING
27	SSG2.V2-27	FLUID JOINT
28	SSG2.V2-28	AIR VALVE
29	SSG2.V2-29	O-RING
30	SSG2.V2-30	PACKING SPRING
31	SSG2.V2-31	GASKET
32	SSG2.V2-32	O-RING
33	SSG2.V2-33	AIR VALVE ROD
34	SSG2.V2-34	FLUID POT CONNECTOR
35	SSG2.V2-35	CONTACT NUT
36	SSG2.V2-36	HALF NUT
37	SSG2.V2-37	POT COVER
38	SSG2.V2-38	FLUID TUBE
39	SSG2.V2-39	POT GASKET
40	SSG2.V2-40	PLASTIC CUP
--	SSG2.V2-S1.2	SSG2 SET-UP 1.2mm (NOT SHOWN)
--	SSG2.V2-S1.5	SSG2 SET-UP 1.5mm (NOT SHOWN)
--	SSG2.V2-S1.8	SSG2 SET-UP 1.8mm (NOT SHOWN)
--	SSG2.V2-S2.0	SSG2 SET-UP 2.0mm (NOT SHOWN)
--	SSG2.V2-S2.2	SSG2 SET-UP 2.2mm (NOT SHOWN)
--	SSG2.V2-S2.5	SSG2 SET-UP 2.5mm (NOT SHOWN)

NOTE: It is our policy to continually improve products and as such we reserve the right to alter data, specifications and component parts without prior notice.

IMPORTANT: No liability is accepted for incorrect use of product.

WARRANTY: Guarantee is 12 months from purchase date, proof of which will be required for any claim.

Sealey Group, Kempson Way, Suffolk Business Park, Bury St Edmunds, Suffolk. IP32 7AR



01284 757500



01284 703534



sales@sealey.co.uk



www.sealey.co.uk