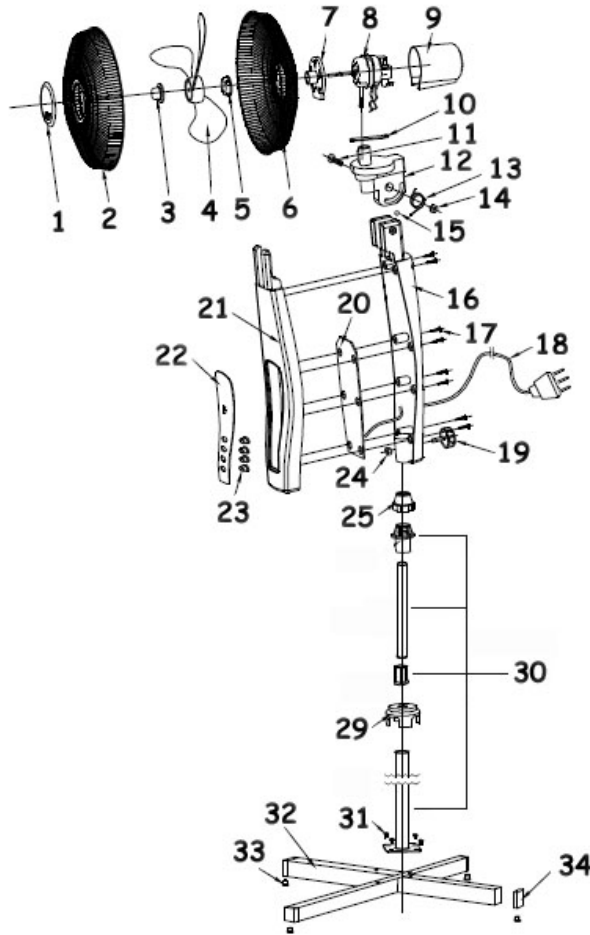




Parts Information:
Pedestal Fan 3-Speed 16" with Remote Control 230V
Model No: SPF16WR



Item	Part No.	Description
1	SPF16WR.01	DISC COVER
2	SPF16WR.02	FRONT GUARD
3	SPF16WR.03	FAN BLADE NUT
4	SPF16WR.04	FAN BLADE
5	SPF16WR.05	PLASTIC GUARD NUT
6	SPF16WR.06	REAR GUARD
7	SPF16WR.07	MOTOR COVER(FRONT)
8	SPF16WR.08	MOTOR
9	SPF16WR.09	MOTOR COVER(REAR)
10	SPF16WR.10	PAD
11	SPF16WR.11	POLE
12	SPF16WR.12	ARM
13	SPF16WR.13	SPRING RING
14	SPF16WR.14	NUT
15	SPF16WR.15	SPRING
16	SPF16WR.16	CONTROL PANEL REAR COVER

Item	Part No.	Description
17	SPF16WR.17	SCREW
18	SPF16WR.18	POWER CORD
19	SPF16WR.19	POLE SCREW
20	SPF16WR.20	CIRCUIT BOARD
21	SPF16WR.21	SWITCH BOX FRONT COVER
22	SPF16WR.22	SWITCH PANEL
23	SPF16WR.23	SWITCH BUTTONS
24	SPF16WR.24	NUT
25	SPF16WR.25	PLASTIC NUT
29	SPF16WR.29	DECORATE
30	SPF16WR.30	STAND POLE ASSY
31	MSP58.S	MACHINE SCREW PAN HEAD PHILLIPS M5x8mm
32	SPF16WR.32	STAND BASE
33	SPF16WR.33	PAD
34	SPF16WR.34	BASE END PLATE
--	SWF16WR.25	REMOTE CONTROL (NOT SHOWN)

NOTE: It is our policy to continually improve products and as such we reserve the right to alter data, specifications and component parts without prior notice.

IMPORTANT: No liability is accepted for incorrect use of product.

WARRANTY: Guarantee is 12 months from purchase date, proof of which will be required for any claim.

Sealey Group, Kempson Way, Suffolk Business Park, Bury St Edmunds, Suffolk. IP32 7AR



01284 757500



01284 703534



sales@sealey.co.uk



www.sealey.co.uk