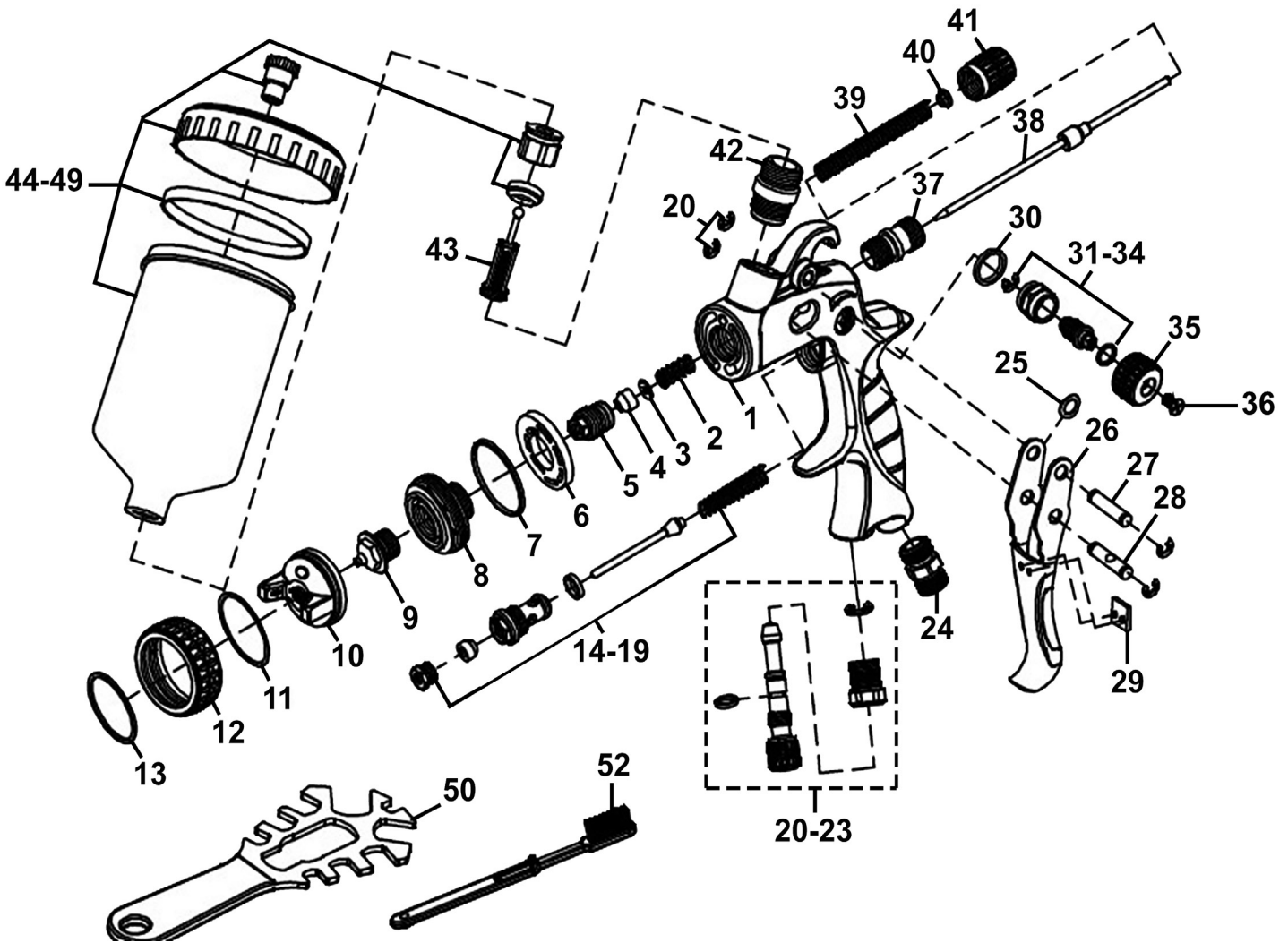


Parts Information:
**Premier Professional SP Gravity Feed
 Spray Gun 1.4mm Set-Up
 Model No: SP01.V2**



Item	Part No.	Description
1	SP01-V2-01	Gun Body (Black)
2	SP01.02	Needle Packing Spring
3	SP01.03	Needle Packing Washer
4	SP01.04	Needle Packing Gasket
5	SP01.05	Needle Packing Screw
6	SP01.06	Air Baffle
7	SP01.07	Washer for Fluid Nozzle Seat
8	SP01.08	Fluid Nozzle Seat
9	SP01.09	Fluid Nozzle 1.4mm
--	SP01.09A	Fluid Nozzle 1.2mm (optional extra)

Item	Part No.	Description
--	SP01.09B	Fluid Nozzle 1.3mm (optional extra)
--	SP01.09C	Fluid Nozzle 1.7mm (optional extra)
--	SP01.09D	Fluid Nozzle 1.8mm (optional extra)
10	SP01.10	Air Cap 1.4mm
--	SP01.10A	Air Cap 1.2mm (optional extra)
--	SP01.10B	Air Cap 1.3mm (optional extra)
--	SP01.10C	Air Cap 1.7mm (optional extra)
--	SP01.10D	Air Cap 1.8mm (optional extra)
11	SP01.11	Washer for Air Cap
12	SP01.12	Locking Ring (Blue/White)

NOTE: It is our policy to continually improve products and as such we reserve the right to alter data, specifications and component parts without prior notice. There may be alternative versions of this product, please contact us should you require this information.

IMPORTANT: No liability is accepted for incorrect use of product. Spare parts must be fitted by a competent person

WARRANTY: Guarantee is 12 months from purchase date, proof of which will be required for any claim.



Parts Information:
**Premier Professional SP Gravity Feed
Spray Gun 1.4mm Set-Up
Model No: SP01.V2**

Item	Part No.	Description
13	SP01.13	Retainer
14-19	SP01.14-19	Air Valve Assembly
20	SP01.20	Retainer 5mm
20-23	SP01.20-23	Air Adjustment Assembly
24	SP01.24	Air Adaptor
25	SP01.25	Washer for Trigger Pin
26	SP01-V2-26	Trigger (Black)
27	SP01.27	Trigger Pin
28	SP01.28	Hinge Pin
29	SP01.29	Washer (Square)
30	SP01.30	Gasket
31-34	SP01.31-34	Spray Pattern Adjustment Assembly
35	SP01.35	Knob, Spray Pattern Adjustment Knurled Blue Aluminium, OD: 20mm ID: 16mm, 6mm Hex Female Fitting
36	SP01.36	Spray Pattern Adjustment Knob Screw

Item	Part No.	Description
37	SP01.37	Needle Adjustment Adaptor
38	SP01.38	Fluid Needle 1.4mm
--	SP01.38A	Fluid Needle 1.2mm (optional extra)
--	SP01.38B	Fluid Needle 1.3mm (optional extra)
--	SP01.38C	Fluid Needle 1.7mm (optional extra)
--	SP01.38D	Fluid Needle 1.8mm (optional extra)
39	SP01.39	Needle Adjustment Spring
40	SP01.40	Spring Plug
41	SP01.41	Knob, Needle Adjustment, Knurled Blue Aluminium, OD: 16mm, M12 Threaded Female Fitting
42	SP01.42	Fluid Pot Adaptor
43	SP01.43	Fluid Pot Filter
44-49	SP01.44-49	Fluid Pot Assembly (inc 44,45,46,47,48,49)
50	SP01.50	Multi-Purpose Spanner
52	SP01.52	Brush (A)

NOTE: It is our policy to continually improve products and as such we reserve the right to alter data, specifications and component parts without prior notice. There may be alternative versions of this product, please contact us should you require this information.

IMPORTANT: No liability is accepted for incorrect use of product. Spare parts must be fitted by a competent person

WARRANTY: Guarantee is 12 months from purchase date, proof of which will be required for any claim.

Sealey Group, Kempson Way, Suffolk Business Park, Bury St Edmunds, Suffolk. IP32 7AR



01284 757500



sales@sealey.co.uk



www.sealey.co.uk