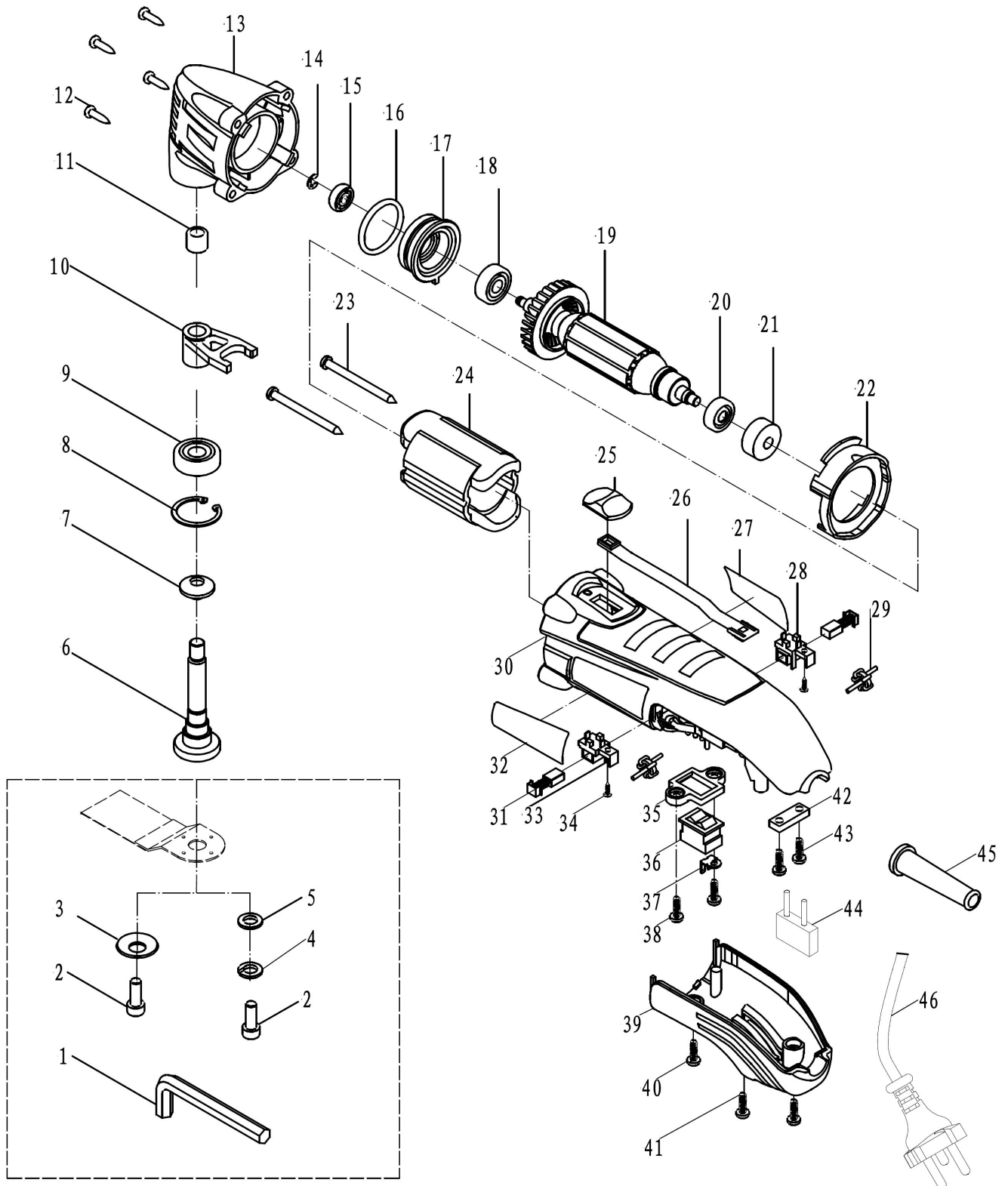




Parts Information:
Oscillating Multi-Tool 180W/230V
Model No: SMT180



NOTE: It is our policy to continually improve products and as such we reserve the right to alter data, specifications and component parts without prior notice.

IMPORTANT: No liability is accepted for incorrect use of product.

WARRANTY: Guarantee is 12 months from purchase date, proof of which will be required for any claim.

Sealey Group, Kempson Way, Suffolk Business Park, Bury St Edmunds, Suffolk. IP32 7AR



01284 757500



01284 703534



sales@sealey.co.uk



www.sealey.co.uk



Parts Information:
Oscillating Multi-Tool 180W/230V
Model No: SMT180

1	SMT180.01	HEX WRENCH (L-SHAPE)
2	SCB816.S	SOCKET CAP SCREW ZINC M8X16
3	SMT180.03	GASKET
4	SWM8.SB	SPRING WASHER M8 BLACK(SINGLE)
5	FWM8.SB	FLAT WASHER M8 BLACK (SINGLE)
6	SMT180.06	OUTPUT SPINDLE
7	SMT180.07	DUST RING
8	SMT180.08	CIRCLIP
9	B/6000	BEARING 6000
10	SMT180.10	OUTPUT SHAFT HOLDER
11	B/HK0709	NEEDLE BEARING HK0709
12	SMT180.12	SCREW ST3.9x22
13	SMT180.13	GEAR CASE
14	SMT180.14	E-RING
15	SMT180.15	BEARING (B/625Z)
16	SMT180.16	RUBBER SEAL
17	SMT180.17	CENTRE COVER
18	SMT180.18	BEARING (B/608)
19	SMT180.19	ROTOR 230V
20	SMT180.20	BEARING (B/626)
21	SMT180.21	BEARING BUSH
22	SMT180.22	BAFFLE
23	SMT180.23	SCREW ST3.9x55
24	SMT180.24	STATOR 230V
25	SMT180.25	PUSH BUTTON
26	SMT180.26	SLIDE BAR
27	SMT180.27	LABEL
28	SMT180.28	CARBON BRUSH HOLDER (R/S)
29	SMT180.29	INDUCTANCE
30	SMT180.30	HOUSING
31	SMT180.31	CARBON BRUSH

Item	Part No.	Description
32	SMT180.32	LABEL
33	SMT180.33	CARBON BRUSH HOLDER (L/S)
34	SMT180.34	SCREW ST2.9x10
35	SMT180.35	SWITCH PLATE
36	SMT180.36	SWITCH
37	SMT180.37	CONNECTION PLATE
38	SMT180.38	SCREW ST3.9x10
39	SMT180.39	BACK COVER
40	SMT180.40	SCREW ST3.9x10
41	SMT180.41	SCREW ST3.9x16
42	SMT180.42	CORD GRIP
43	SMT180.43	SCREW ST3.9x14
44	SMT180.44	CAPACITOR
45	SMT180.45	CORD SLEEVE
46	SMT180.46	POWER CABLE & PLUG
--	SMTA1	MULTI-TOOL BLADE SET 3pc (NOT SHOWN)
--	SMTA2	MULTI-TOOL HALF-MOON CUTTING BLADE (NOT SHOWN)
--	SMTA3	MULTI-TOOL CARBIDE TIPPED HALF-MOON (NOT SHOWN)
--	SMTA4	MULTI-TOOL DIAMOND CUTTING BLADE (NOT SHOWN)
--	SMTA5	MULTI-TOOL 80mm SANDING SHEET SET 20pc (NOT SHOWN)
--	SMTA6	MULTI-TOOL 75mm TRIANGLE SANDING PAD (NOT SHOWN)
--	SMTA7	MULTI-TOOL 90mm SANDING SHEET SET 20pc (NOT SHOWN)
--	SMTA8	MULTI- TOOL TRIANGLE SANDING PAD 88mm (NOT SHOWN)

NOTE: It is our policy to continually improve products and as such we reserve the right to alter data, specifications and component parts without prior notice.

IMPORTANT: No liability is accepted for incorrect use of product.

WARRANTY: Guarantee is 12 months from purchase date, proof of which will be required for any claim.

Sealey Group, Kempson Way, Suffolk Business Park, Bury St Edmunds, Suffolk. IP32 7AR



01284 757500



01284 703534



sales@sealey.co.uk



www.sealey.co.uk