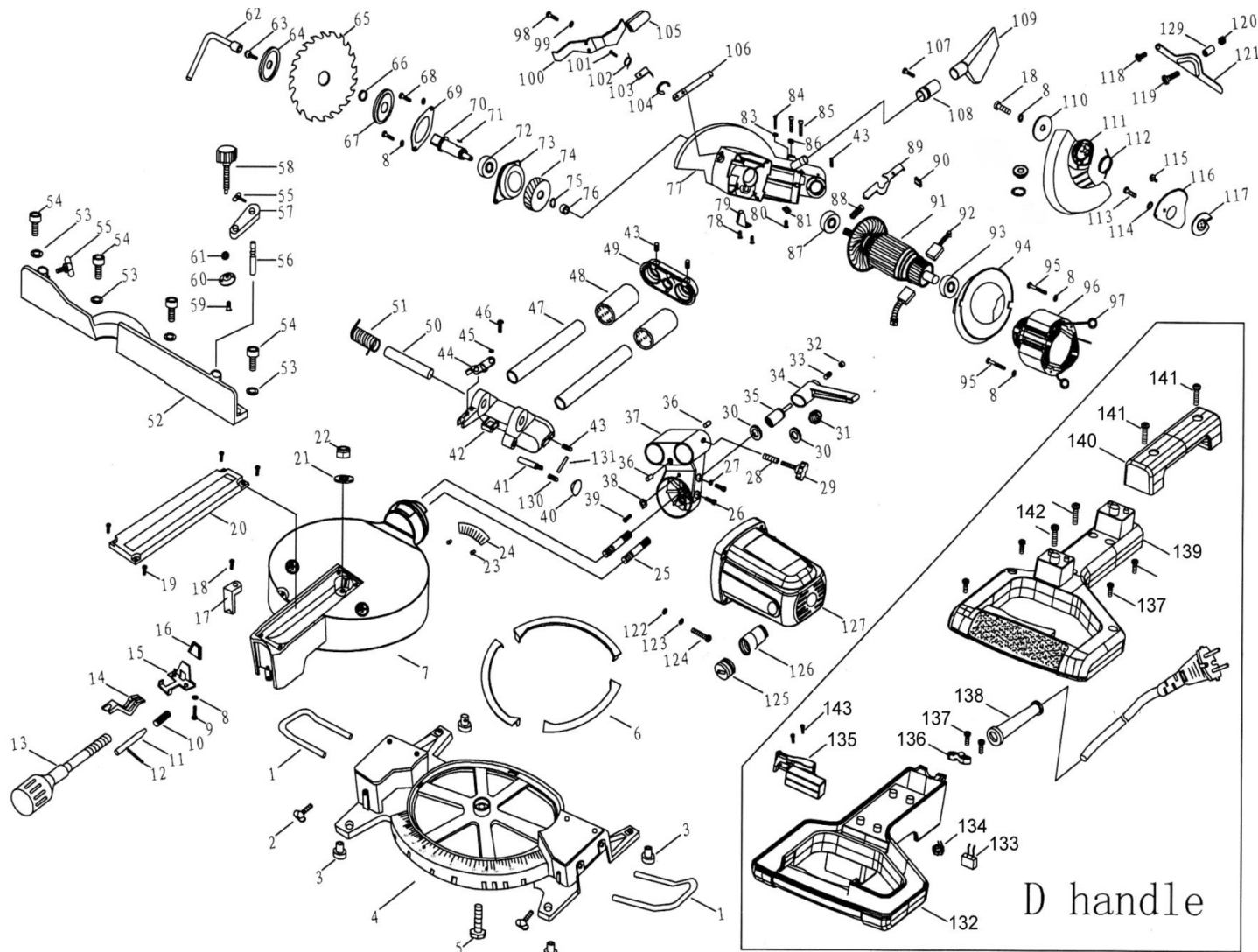




Parts Information:
Compound Sliding Mitre Saw 210mm 230V
Model No: SMS8



NOTE: It is our policy to continually improve products and as such we reserve the right to alter data, specifications and component parts without prior notice.

IMPORTANT: No liability is accepted for incorrect use of product.

WARRANTY: Guarantee is 12 months from purchase date, proof of which will be required for any claim.

Sealey Group, Kempson Way, Suffolk Business Park, Bury St Edmunds, Suffolk. IP32 7AR



01284 757500



01284 703534



sales@sealey.co.uk



www.sealey.co.uk



Parts Information:
Compound Sliding Mitre Saw 210mm 230V
Model No: SMS8

Item	Part No.	Description
1	SMS8.01	Extension Rod
2	SMS8.02	Wing Handle
3	SMS8.03	Rubber Foot
4	SMS8.04	Base
5	SMS8.05	Screw (m8x50)
6	SMS8.06	Plate For Rotating Table
7	SMS8.07	Rotating Table
8	SWM5.SB	Spring Washer M5 Black (Single)
9	SMS8.09	Screw (m5x10)
10	SMS8.10	Spring
11	SMS8.11	Rotating Table Lock Pin
12	SMS8.12	Lock Pin
13	SMS8.13	Rotating Table Lock Handle
14	SMS8.14	Lock
15	SMS8.15	Spring Plate
16	SMS8.16	Plate Sleeve
17	SMS8.17	Pointer
18	SMS8.18	Screw (m5x14)
19	SMS8.19	Screw (m5x8)
20	SMS8.20	Plastic Cutting Bar
21	SMS8.21	Washer
22	NLN8.SB	Nyloc Nut M8 Black (Single)
23	SMS8.23	Rivet 2x4
24	SMS8.24	Guide
25	SMS8.25	Stud (m10x60)
26	SMS8.26	Screw (m6x25)
27	SN6.S	Steel Nut M6 Zinc Din934 (Single)
28	SMS8.28	Spring
29	SMS8.29	Lock Handle
30	FWM10.S	Flat Washer M10 Single
31	NLN10.S	Nyloc Nut M10 Zinc (Single)
32	SMS8.32	Pin Shaft Cover
33	SMS8.33	Lock Spring
34	SMS8.34	Lock Lever Ass'y
35	SMS8.35	Pin Shaft Nut
36	SMS8.36	Limit Stop Post

Item	Part No.	Description
37	SMS8.37	Support Holder
38	SMS8.38	Cut Pointer
39	SMS8.39	Screw (m4x8)
40	SMS8.40	Self Lock Handle
41	SMS8.41	Safety Guard Lock Pin
42	SMS8.42	Connection Support
43	GSM68.S	Grub Screw m6x8 (Single)
44	SMS8.44	Depth Adjustment
45	SMS8.45	Washer
46	SMS8.46	Screw
47	SMS8.47	Sliding Rod
48	SMS8.48	Bearing Ime2suu
49	SMS8.49	Rear Cover
50	SMS8.50	Pin
51	SMS8.51	Spring
52	SMS8.52	Crossbar
53	SMS8.53	Spring Washer
54	SCB625.SB	Socket Head Cap Screw m6x25 Black
55	SMS8.55	Wing Handle
56	SMS8.56	Shaft
57	SMS8.57	Lock Handle
58	SMS8.58	Work Clamp Handle
59	SMS8.59	Screw
60	SMS8.60	Clamping Plate
61	SMS8.61	Washer M6 Black
62	SMS8.62	Socket Wrench
63	SMS8.63	Screw (m8x16)
64	SMS8.64	Outer Flange
65	SMS8B24	Compound Mitre Saw Blade 210 x 16mm 24tpu
66	SMS8.66	Blade Ring
67	SMS8.67	Inner Flange
68	SMS8.68	Screw (m5x16)
69	SMS8.69	Bearing Fixing Plate
70	SMS8.70	Shaft
71	SMS8.71	Pin
72	B/6203ZZ	Bearing 6203ZZ

NOTE: It is our policy to continually improve products and as such we reserve the right to alter data, specifications and component parts without prior notice.

IMPORTANT: No liability is accepted for incorrect use of product.

WARRANTY: Guarantee is 12 months from purchase date, proof of which will be required for any claim.

Sealey Group, Kempson Way, Suffolk Business Park, Bury St Edmunds, Suffolk. IP32 7AR



01284 757500



01284 703534



sales@sealey.co.uk



www.sealey.co.uk



Parts Information:
Compound Sliding Mitre Saw 210mm 230V
Model No: SMS8

Item	Part No.	Description
73	SMS8.73	Bearing Housing
74	SMS8.74	Gear (Big)
75	SMS8.75	Circlip
76	B/HK1210	Needle Bearing hk1210
77	SMS8.77	Safety Guard
78	SMS8.78	Screw (m4x8)
79	SMS8.79	Limit Stop
80	SMS8.80	Screw (m5x8)
81	SMS8.81	Rubber Stopper
83	SMS8.83	Depth Adjustment Nut
84	SS635.SB	Hex Head Set Screw m6x35mm Black
85	SMS8.85	SKT. HD Bolt m6x25
86	SN6.S	Steel Nut M6 Zinc Din934 (Single)
87	B/6202ZZ	Bearing 6202ZZ
88	SMS8.88	Lock Spring
89	SMS8.89	Self Lock Cross Rod
90	SMS8.90	Sleeve For Cross Rod
91	SMS8.91	Rotor
92	SMS8.92	Carbon Brush (Single)
93	B/6000ZZ	Bearing 6000ZZ
94	SMS8.94	Fan Cover
95	SMS8.95	Screw (st4.8x70)
96	SMS8.96	Stator
97	SMS8.97	Spring
98	SMS8.98	Screw (m4x10)
99	SMS8.99	Spring Washer
100	SMS8.100	Self Lock Trigger
101	SMS8.101	Screw (m3x8)
102	SMS8.102	Spring For Trigger
103	SMS8.103	Spring Support
104	SMS8.104	Circlip
105	SMS8.105	Trigger Sleeve
106	SMS8.106	Connection Rod
107	SMS8.107	Screw (m4x10)
108	SMS8.108	Dust Outlet
109	SMS8.109	Dust Bag
110	SMS8.110	Washer

Item	Part No.	Description
111	SMS8.111	Transparent Guard
112	SMS8.112	Spring
113	SMS8.113	Screw (m6x10)
114	SMS8.114	Washer
115	SMS8.115	Screw
116	SMS8.116	Spring Plate
117	SMS8.117	Transparent Guard Plate
118	SMS8.118	Screw For Connection Rod 1
119	SMS8.119	Screw For Connection Rod 2
120	SN5.SB	Steel Nut M5 Black (Single)
121	SMS8.121	Connection Rod
122	SMS8.122	Washer
123	SMS8.123	Spring Washer
124	MSP634.SB	Machine Screw Pan Head Phillips m6x34mm Black
125	SMS8.125	Brush Holder Cover
126	SMS8.126	Brush Holder
127	SMS8.127	Housing
--	SMS8.127-N	Housing (New Type) (NOT SHOWN)
129	SMS8.129	Connection Sleeve
130	SMS8.130	Spring
131	SMS8.131	Pin
132	SMS8.H01	Handle
133	SMS8.H02	Capacitor 33uf tns2h 25x15
134	SMS8.H03	Inductance
135	SMS8.H04	Switch
136	SMS8.H05	Cable Clamp
137	SMS8.H06	Screw (st3.9x16)
138	SMS8.H07	Cable Sleeve
139	SMS8.H09	Middle Housing For Handle
140	SMS8.H10	Upper Housing For Handle
141	SMS8.H11	Screw (st6.3x20)
142	SMS8.H12	Screw (m4x45)
143	SMS8.H13	Screw (st3.9x12)
--	SMS8B40	Compound Mitre Saw Blade 210 x 16mm 40tpu (NOT SHOWN)
--	SMS8.RH	Rotating Handle (NOT SHOWN)

NOTE: It is our policy to continually improve products and as such we reserve the right to alter data, specifications and component parts without prior notice.

IMPORTANT: No liability is accepted for incorrect use of product.

WARRANTY: Guarantee is 12 months from purchase date, proof of which will be required for any claim.

Sealey Group, Kempson Way, Suffolk Business Park, Bury St Edmunds, Suffolk. IP32 7AR



01284 757500



01284 703534



sales@sealey.co.uk



www.sealey.co.uk