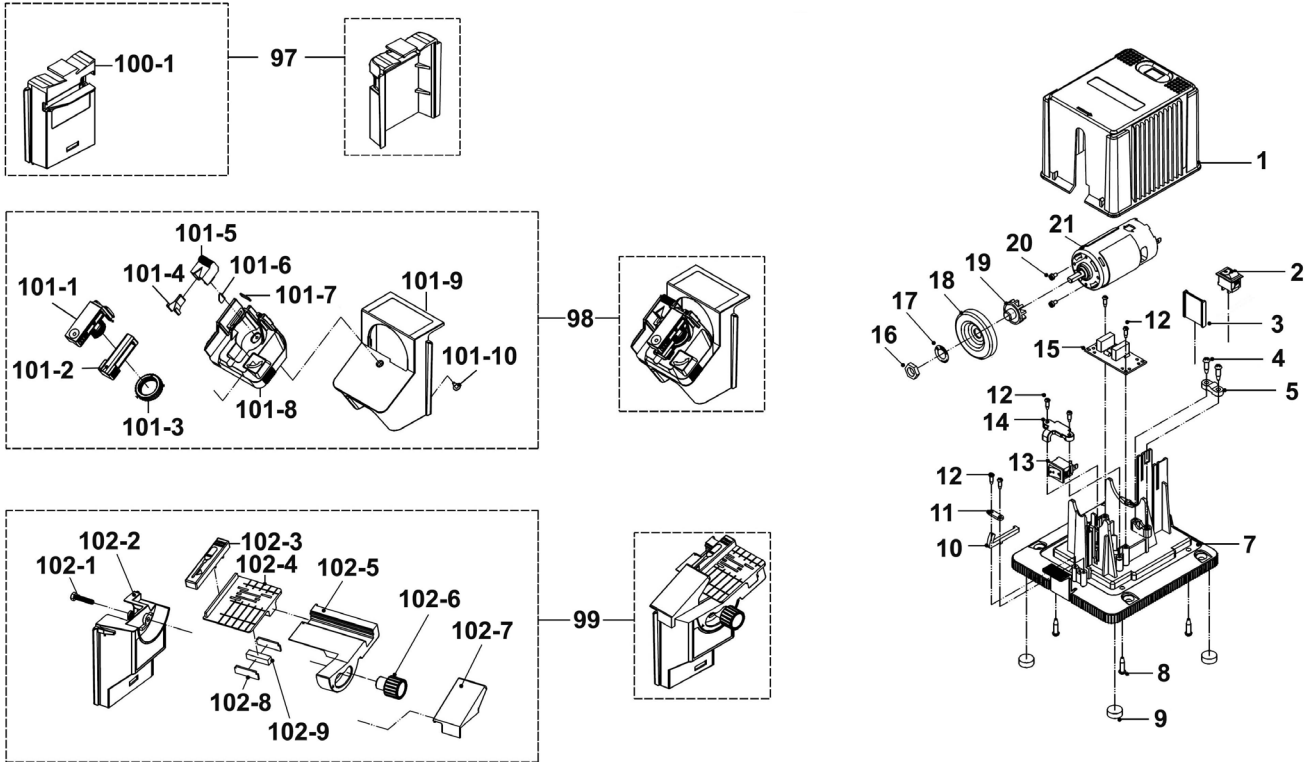


Parts Information: Multipurpose Sharpener - Bench Mounting 65W Model No: SMS2004.V2



Item	Part No.	Description
1	SMS2004.V2-01	Top Housin
2	SMS2004.V2-02	Switch
3	SMS2004.V2-03	Baffle Plate
4	SMS2004.V2-04	Screw for Cable Grip
5	SMS2004.V2-05	Cable Grip
7	SMS2004.V2-07	Base
8	SMS2004.V2-08	Screw for Base
9	SMS2004.V2-09	Foot for Base
10	SMS2004.V2-10	Bottom Piece for Base
11	SMS2004.V2-11	Plastic Clip
12	SMS2004.V2-12	Screw for Bottom Base
13	SMS2004.V2-13	Auxiliary Micro Switch
14	SMS2004.V2-14	Micro Switch Press Plate
15	SMS2004.V2-15	PCB
16	SMS2004.V2-16	Nut for Sharpening Wheel
17	SMS2004.V2-17	Directional Label
18	SMS2004.06	Sharpening Wheel for SMS2004
19	SMS2004.V2-19	Motor Pinion
20	SMS2004.V2-20	Screw for Motor
21	SMS2004.V2-21	Motor
97	SMS2004.V2-97	Scissor Accessory Complete
98	SMS2004.V2-98	Drill Accessory Complete

Item	Part No.	Description
99	SMS2004.V2-99	Plane Accessory Complete
100-1	SMS2004.V2-100-1	Fixing Support for Scissor
101-1	SMS2004.V2-101-1	Locking Clamp
101-2	SMS2004.V2-101-2	Gripping Clamp
101-3	SMS2004.V2-101-3	Plastic Locknut
101-4	SMS2004.V2-101-4	Chuck (Right)
101-5	SMS2004.V2-101-5	Counter Guard
101-6	SMS2004.V2-101-6	Fixing Guard for Chuck
101-7	SMS2004.V2-101-7	Angle Backing Piece
101-8	SMS2004.V2-101-8	Supporting Chuck for Drill
101-9	SMS2004.V2-101-9	Fixing Chuck for Drill
101-10	SMS2004.V2-101-10	Screw for Fixing Chuck
102-1	SMS2004.V2-102-1	Screw for Plane Blade Holder
102-2	SMS2004.V2-102-2	Plane Blade Holder
102-3	SMS2004.V2-102-3	Moveable Shelf
102-4	SMS2004.V2-102-4	Supporting Shelf
102-5	SMS2004.V2-102-5	Angle Shelf
102-6	SMS2004.V2-102-6	Knurled Handle
102-7	SMS2004.V2-102-7	Protective Guard
102-8	SMS2004.V2-102-8	Magnet Support
102-9	SMS2004.V2-102-9	Magnet

NOTE: It is our policy to continually improve products and as such we reserve the right to alter data, specifications and component parts without prior notice. There may be alternative versions of this product, please contact us should you require this information.

IMPORTANT: No liability is accepted for incorrect use of product. Spare parts must be fitted by a competent person

WARRANTY: Guarantee is 12 months from purchase date, proof of which will be required for any claim.