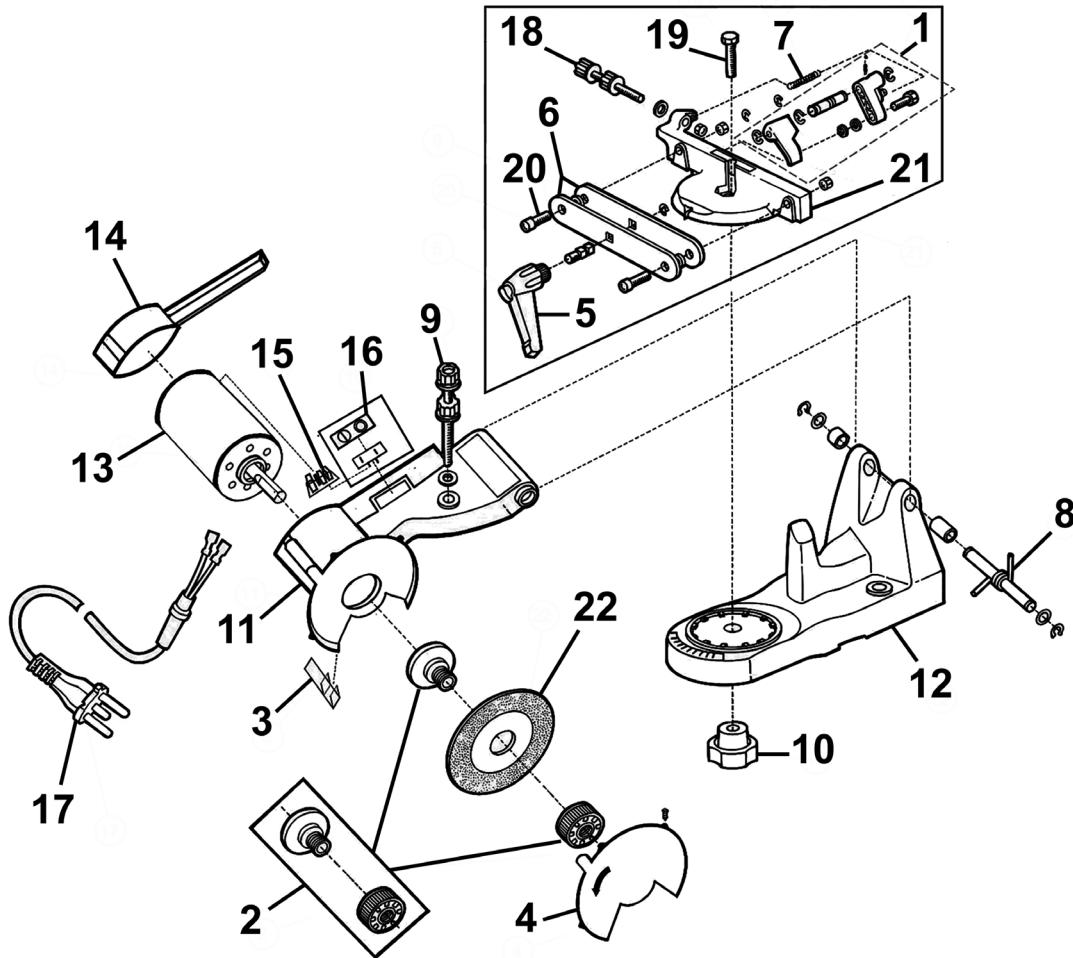




Parts Information:  
**Quick Locating Chainsaw Blade Sharpener**  
**85W**  
**Model No: SMS2002C.V2**



Item	Part No.	Description	Qty
1	SMS2002C-V2-01	Chain Stop Kit	1
2	SMS2002C-V2-02	Aluminium Arbor Kit	1
3	SMS2002C-V2-03	Safety Guard	1
4	SMS2002C-V2-04	Guard Wheel Cover, Plastic	1
5	SMS2002C-V2-05	Vice Position/Tension Adjustment Knob	1
6	SMS2002C-V2-06	Clamping Plate	2
7	SMS2002C-V2-07	Return Spring, Chain	1
8	SMS2002C-V2-08	Torsion Spring	1
9	SMS2002C-V2-09	Height Adjustment Knob	1
10	SMS2002C-V2-10	Knob, Angle Adjust, Plastic,	1
11	SMS2002C-V2-11	Top Housing	1

Item	Part No.	Description	Qty
12	SMS2002C-V2-12	Base	1
13	SMS2002C-V2-13	Motor	1
14	SMS2002C-V2-14	Motor Cover	1
15	SMS2002C-V2-15	PCB, Circuit Board	1
16	SMS2002C-V2-16	Switch Plate	1
17	SMS2002C-V2-17	Power Cord	1
18	SMS2002C-V2-18	Tension Knob for Vice Base	1
19	SMS2002C-V2-19	Bolt for Vice Base	1
20	SMS2002C-V2-20	Socket Cap Bolt	2
21	SMS2002C-V2-21	Vice Base	1
22	SMS2002C.B	Blade for SMS2002C	1

**NOTE:** It is our policy to continually improve products and as such we reserve the right to alter data, specifications and component parts without prior notice. There may be alternative versions of this product, please contact us should you require this information.

**IMPORTANT:** No liability is accepted for incorrect use of product. Spare parts must be fitted by a competent person

**WARRANTY:** Guarantee is 12 months from purchase date, proof of which will be required for any claim.

Sealey Group, Kempson Way, Suffolk Business Park, Bury St Edmunds, Suffolk. IP32 7AR



01284 757500



sales@sealey.co.uk



www.sealey.co.uk