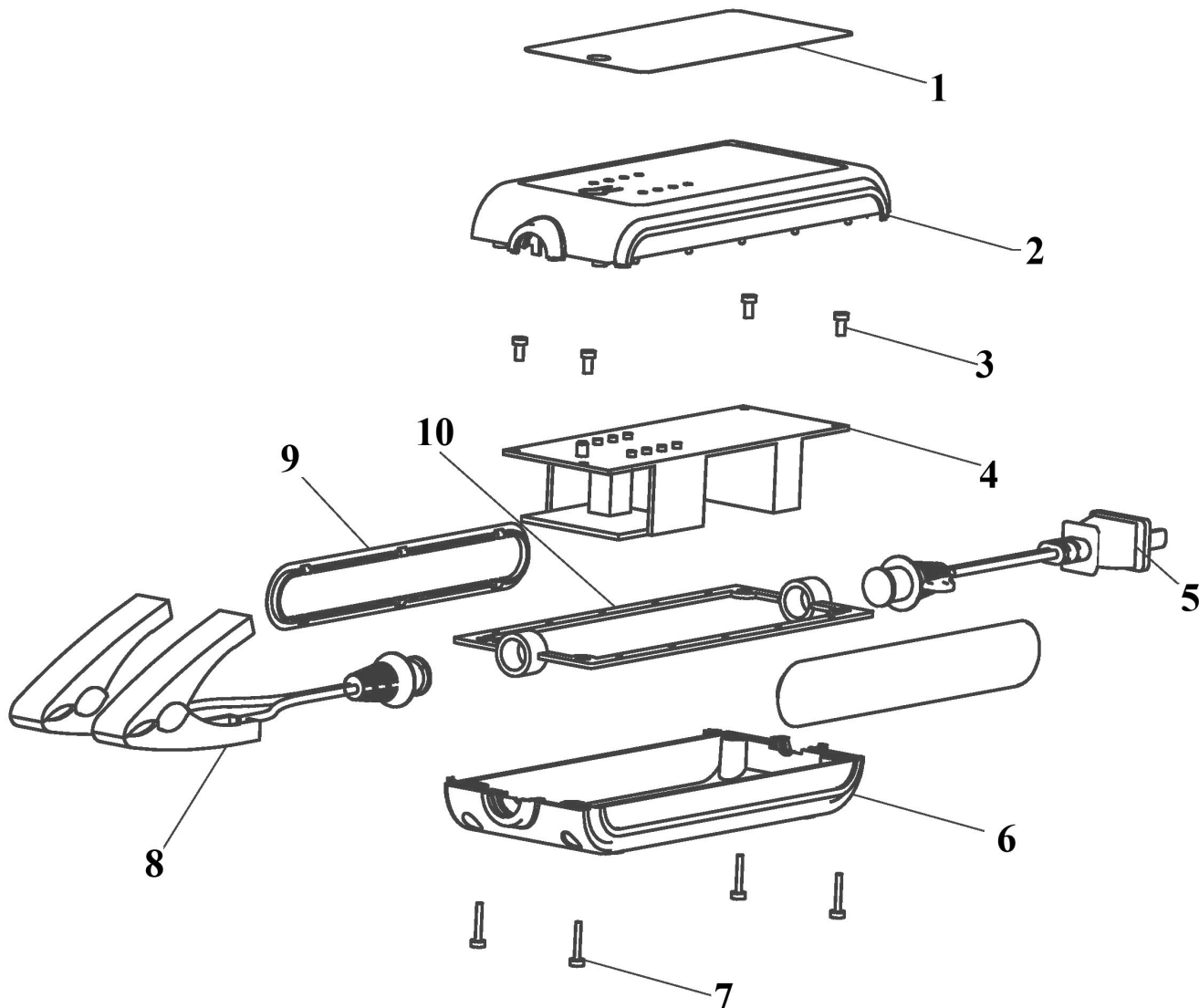


Parts Information:
**Compact Auto Digital Battery Charger -
 9-Cycle 12V
 Model No: SMC02.V2**



Item	Part No.	Description
1	SMC02.V2-01	LABEL
2	SMC03.V2-02	UPPER COVER
3	SMC02.V2-03	SCREW M3 X 6
4	SMC02.V2-04	PCB
5	MC2CX0.75	MAINS CABLE BLK, 2 CORE, 0.75 MM2

Item	Part No.	Description
6	SMC03.V2-06	BOTTOM COVER
7	SMC02.V2-07	SCREW M3 X 14
8	SMC04.V2-08	DC CORD
9	SMC02.V2-09	SIDE COVER
10	SMC02.V2-10	SEALING RING

NOTE: It is our policy to continually improve products and as such we reserve the right to alter data, specifications and component parts without prior notice.

IMPORTANT: No liability is accepted for incorrect use of product.

WARRANTY: Guarantee is 12 months from purchase date, proof of which will be required for any claim.