

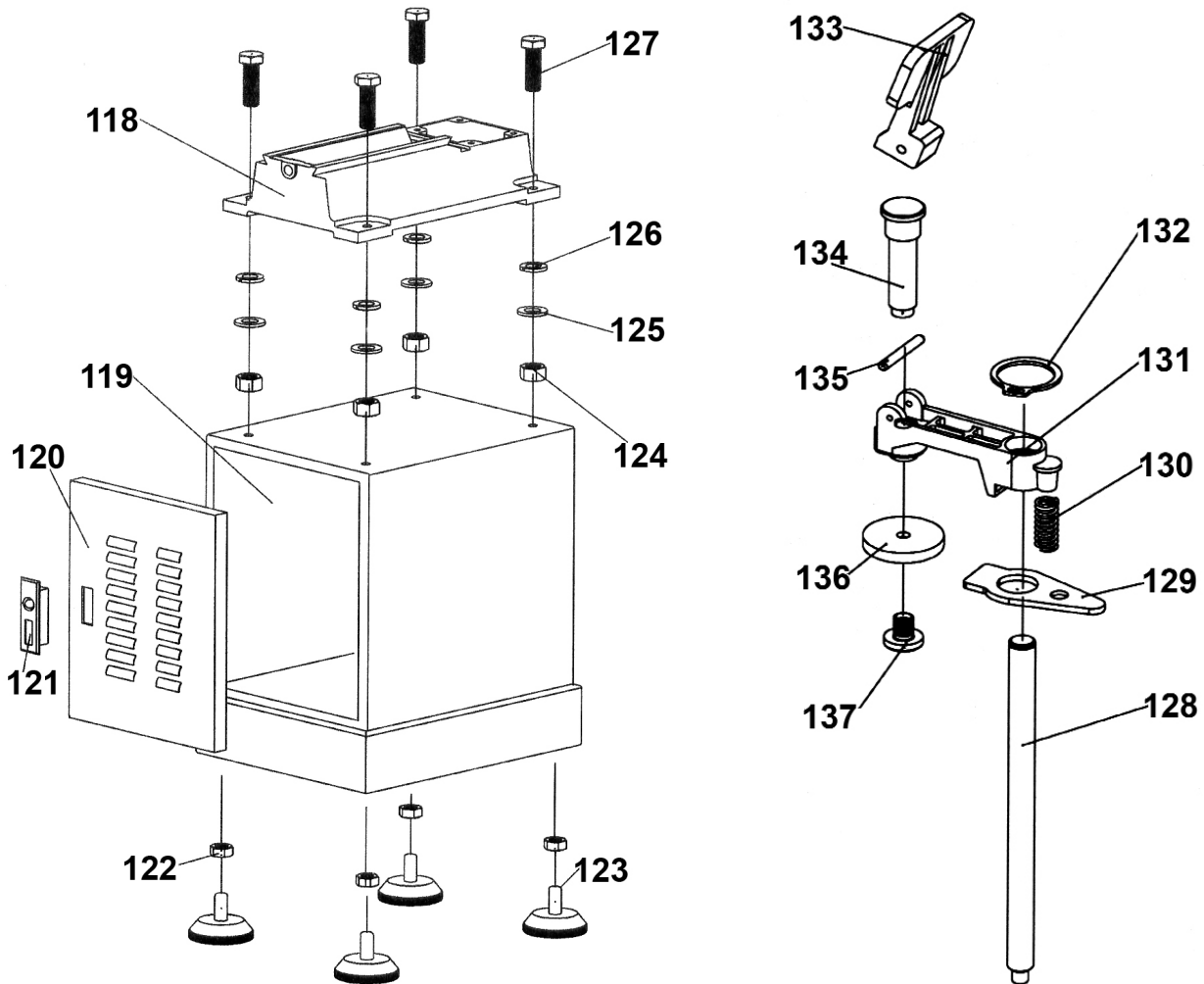
NOTE: It is our policy to continually improve products and as such we reserve the right to alter data, specifications and component parts without prior notice.

IMPORTANT: No liability is accepted for incorrect use of product.

WARRANTY: Guarantee is 12 months from purchase date, proof of which will be required for any claim.

Item	Part No.	Description
1	SM96.A-01	BASE
2	SM96.A-02	MIDDLE BASE
3	SM96.A-03	DRIFT
4	SM96.A-04	SET SCREW (M6x35)
5	SN6.S	STEEL NUT M6 ZINC DIN934 (SINGLE)
6	SM96.A-06	WASHER
7	SM96.A-07	WAVE WASHER
8	SM96.A-08	CAP SCREW (M10x40)
9	SM96.A-09	COLUMN
10	SM96.A-10	SCREW
11	SM96.A-11	GAS SPRING
12	SM96.A-12	SET SCREW (M6x35)
13	SN6.S	STEEL NUT M6 ZINC DIN934 (SINGLE)
14	SM96.A-14	DRIFT
15	SM96.A-15	SCREW
16	SM96.A-16	RACK
17	SM96.A-17	SCREW (M6x10)
18	SM96.A-18	FENCE
19	SM96.A-19	WASHER
20	SM96.A-20	WAVE WASHER
21	SM96.A-21	CAP SCREW (M10x25)
23	SM96.A-23	WASHER
24	SM96.A-24	SCREW (M6x15)
25	SM96.A-25	SCREW (M6x10)
26	SM96.A-26	PIN
27	SN10.S	STEEL NUT M10 ZINC DIN934(SINGLE)
28	SM96.A-28	WASHER
29	SM96.A-29	SCREW
30	SM96.A-30	SCREW
31	SM96.A-31	SETTING COLLAR
32	SM96.A-32	SETTING ROD
33	SM96.A-33	SETTING COLLAR
34	SN10.S	STEEL NUT M10 ZINC DIN934(SINGLE)
35	SM96.A-35	WASHER
36	SM96.A-36	SCREW
37	SM96.A-37	SCREW (M6x15)
38	SM96.A-38	SCREW
39	SM96.A-39	SCREW (M4x12)
40	SM96.A-40	DEPTH RULER (SO)
41	SM96.A-41	SCREW (M4x12)
42	SM96.A-42	SCREW (M6x15)
43	SM96.A-43	SCREW (M6x15)
44	SM96.A-44	WASHER
46	SN12.S	STEEL NUT M12 ZINC DIN934(SINGLE)
47	SM96.A-47	WASHER
48	SM96.A-48	SPRING
49	SM96.A-49	WASHER
50	SM96.A-50	CONNECTING ROD (SO)
51	SM96.A-51	HANDLE
52	SM96.A-52	MOTOR (SO)
53	SM96.A-53	HANDLE GRIP
55	SM96.A-55	RELIEF BUSHING
56	SM96.A-56	SWITCH BOX
57	SM96.A-57	SWITCH
58	SM96.A-58	SCREW (M4x15)
59	SM96.A-59	SCREW (M6x25)
60	GDM92B/20	CHUCK B16 3-16mm

Item	Part No.	Description
61	SCB610.SB	SOCKET CAP BOLT BLACK M6X10
62	SM96.A-62	COVER
63	SM96.A-63	GEAR (SO)
64	SM96.A-64	SHAFT (SO)
65	SM96.A-65A	CONNECTING BEND ASSEMBLY (INC SHAFT)
66	SM96.A-66	SPRING
67	SM96.A-67	SCREW (SO)
68	SM96.A-68	HEADSTOCK
69	SM96.A-69	SCREW
70	SM96.A-70	RULER
71	SM96.A-71	SCREW (SO)
72	SM96.A-72	SETTING COLLAR
73	SM96.A-73	SCREW (M4x12)
74	SM96.A-74	SETTING ROD
75	SM96.A-75	SETTING COLLAR
76	SM96.A-76	SCREW (M6x25)
77	SM96.A-77	BUSHING
78	SM96CDS58	CHISEL & DRILL SET 5/8"
79	SM96.A-79	PIN
80	SM96.A-80	CLAMP PLATE
81	SM96.A-81	SPRING
82	SM96.A-82	SPRING COVER
83	SM96.A-83	HANDLE
84	SM96.A-84	COVER (SO)
85	SM96.A-85	SCREW (M5x10)
86	SM96.A-86	COVER BASE
87	SM96.A-87	C-SPRING
88	SM96.A-88	HANDLE
89	SM96.A-89	SHAFT
90	SM96.A-90	CLAMPING BLOCK (SO)
91	SN10.S	STEEL NUT M10 ZINC DIN934(SINGLE)
92	SM96.A-92	SCREW (M8x25)
93	SM96.A-93	LOCKING SHAFT
94	SM96.A-94	HANDLE
95	SM96.A-95	WOOD TABLE
96	SM96.A-96	SCREW (M8x25)
97	SM96.A-97	TABLE
98	SM96.A-98	WASHER
99	SM96.A-99	SCREW (M10x25)
100	SM96.A-100	RACK
101	SM96.A-101	SCREW (M6x10)
102	SM96.A-102	GEAR
103	SM96.A-103	DRIFT
104	SN6.S	STEEL NUT M6 ZINC DIN934 (SINGLE)
105	SM96.A-105	SCREW (M6x15)
106	SM96.A-106	PIN
107	SM96.A-107	GEAR SHAFT
108	SM96.A-108	COLLAR
109	SM96.A-109	HANDWHEEL
110	SCB615.SB	SOCKET HEAD CAP SCREW M6x15 BLACK
111	SM96.A-111	HANDWHEEL
112	SM96.A-112	SCREW (M8x10)
113	SM96.A-113	COLLAR
114	SM96.A-114	LEAD SCREW
115	SM96.A-115	LEAD NUT
116	SM96.A-116	WASHER
117	SM96.A-117	SCREW (M10x25)



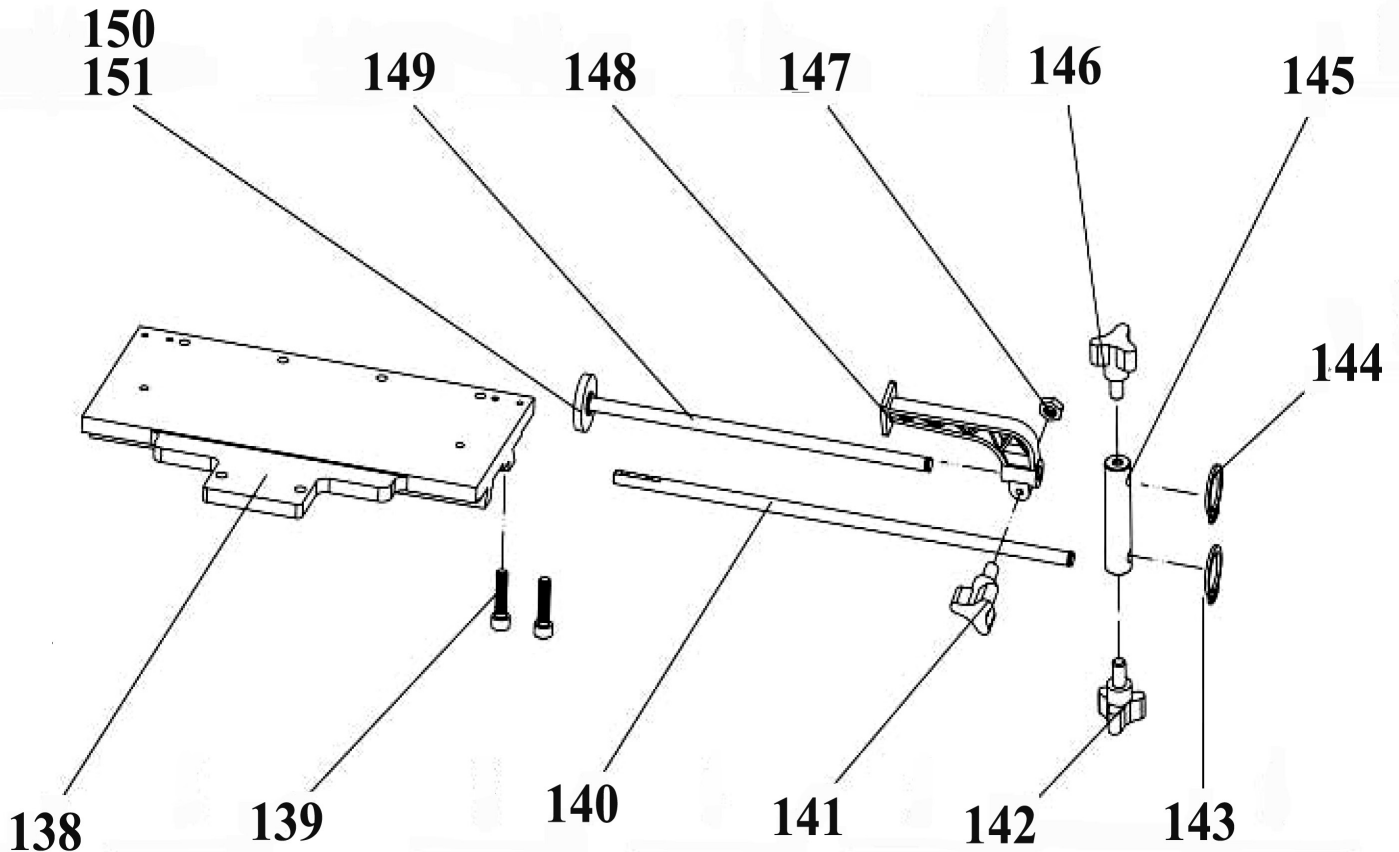
Item	Part No.	Description
118	SM96.B-01	BASE
119	SM96.B-02	STAND
120	SM96.B-03	DOOR
121	SM96.B-04	DOOR LATCH
122	SN10.S	STEEL NUT M10 ZINC DIN934(SINGLE)
123	SM96.B-06	STAND BASE
124	SN10.S	STEEL NUT M10 ZINC DIN934(SINGLE)
125	SM96.B-08	WASHER
126	SM96.B-09	WAVE WASHER
127	SM96.B-10	CAP SCREW (12x40)

Item	Part No.	Description
128	SM96.C-01	SHAFT (SO)
129	SM96.C-02	SETTING PIECE
130	SM96.C-03	SPRING
131	SM96.C-04	CLAMPING BODY
132	SM96.C-05	C-CLIP
133	SM96.C-06	LOCKING HANDLE
134	SM96.C-07	LOCKING SCREW
135	SM96.C-08	PIN
136	SM96.C-09	STOP DISC
137	SCB610.SB	SOCKET CAP BOLT BLACK M6X10

NOTE: It is our policy to continually improve products and as such we reserve the right to alter data, specifications and component parts without prior notice.

IMPORTANT: No liability is accepted for incorrect use of product.

WARRANTY: Guarantee is 12 months from purchase date, proof of which will be required for any claim.



Item	Part No.	Description
138	SM96.D-01	TABLE
139	SM96.D-02	CAP SCREW (M6x25)
140	SM96.D-03	REAR SETTING ROD
141	SM96.D-04	SCREW
142	SM96.D-05A	HANDLE SCREW
143	SM96.D-06A	C-CLIP
144	SM96.D-07A	C-CLIP

Item	Part No.	Description
145	SM96.D-08A	LENGTH SETTING BLOCK
146	SM96.D-09A	HANDLE SCREW (BIG)
147	SM96.D-10A	NUT M6 (USE SN6.S)
148	SM96.D-11A	DISC STOP
149	SM96.D-12A	FRONT LENGTH SETTING ROD
150	SM96.D-13A	WASHER
151	SM96.D-14A	DISC STOP

PARTS NOT SHOWN:

Item	Part No.	Description
--	SM96.D-05	SETTING PIECE
--	SM96.D-06	SPRING
--	SM96.D-07	COVER (NLA)
--	SM96.D-08	LENGTH BLOCK
--	SM96.D-09	C-CLIP
--	SM96.D-10	C-CLIP
--	SN6.S	STEEL NUT M6 ZINC DIN934 (SINGLE)
--	SM96.D-11	SETTING PIECE

Item	Part No.	Description
--	SM96.D-12	SPRING
--	SM96.D-13	COVER (NLA)
--	SN8.S	STEEL NUT M8 ZINC DIN934 (SINGLE)
--	SM96.D-15	STOP DISC
--	SM96.D-16	FRONT ROD & STOP DISC
--	SM96CDS58	CHISEL & DRILL SET 5/8"
--	SM96CDS34	CHISEL & DRILL SET 3/4"
--	SM96CDS1	CHISEL & DRILL SET 1"

NOTE: It is our policy to continually improve products and as such we reserve the right to alter data, specifications and component parts without prior notice.

IMPORTANT: No liability is accepted for incorrect use of product.

WARRANTY: Guarantee is 12 months from purchase date, proof of which will be required for any claim.