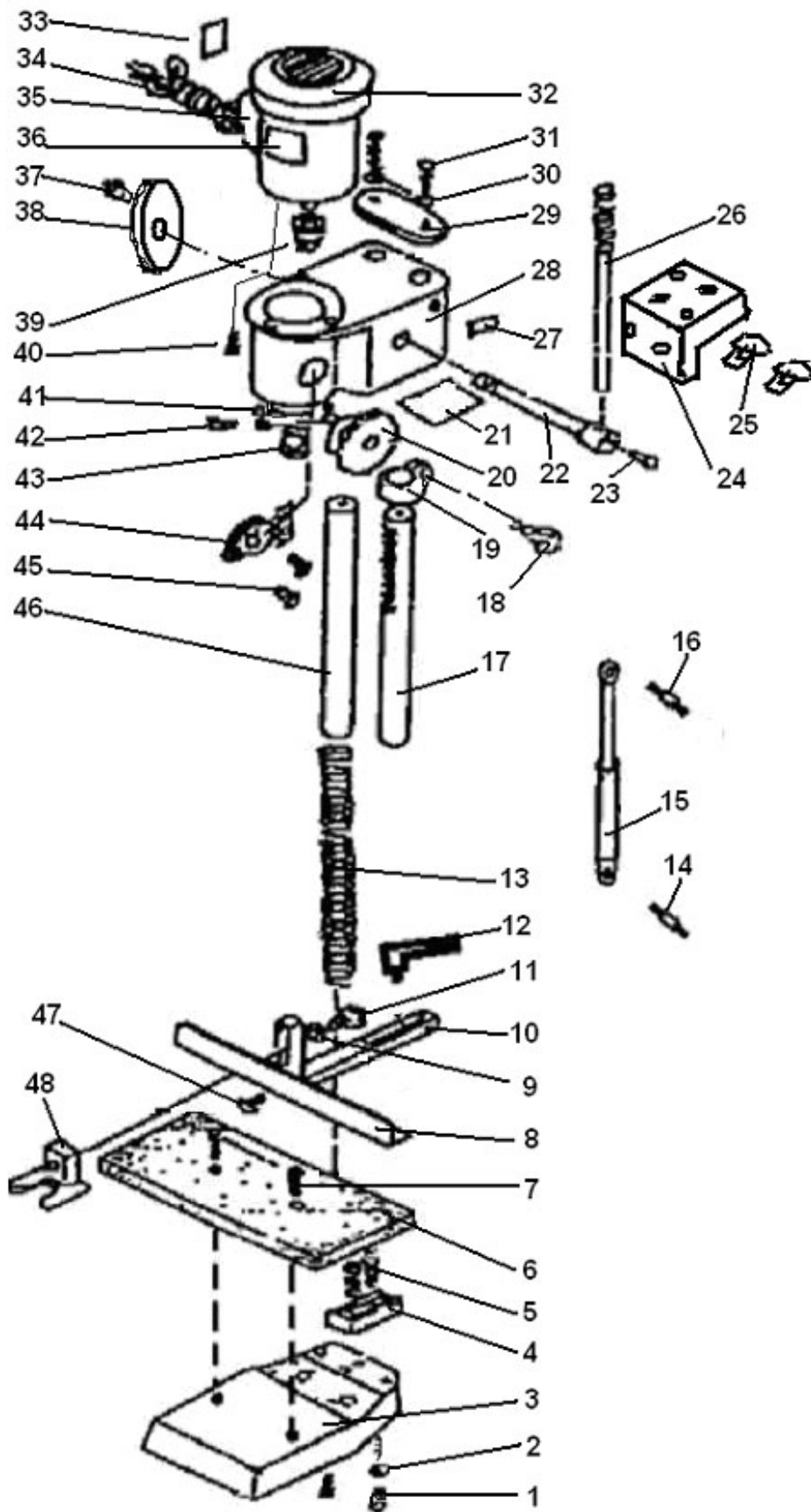




Parts Information:  
Hollow Chisel Mortiser 1/2" 230V  
Model No: SM94.V3



**NOTE:** It is our policy to continually improve products and as such we reserve the right to alter data, specifications and component parts without prior notice.

**IMPORTANT:** No liability is accepted for incorrect use of product.

**WARRANTY:** Guarantee is 12 months from purchase date, proof of which will be required for any claim.

Sealey Group, Kempson Way, Suffolk Business Park, Bury St Edmunds, Suffolk. IP32 7AR



01284 757500



01284 703534



sales@sealey.co.uk



www.sealey.co.uk



Parts Information:  
**Hollow Chisel Mortiser 1/2" 230V**  
**Model No: SM94.V3**

Item	Part No.	Description
1	SM94.V3-01	Bolt m10x25
2	SWM10.SB	Spring Washer M10 Black(Single)
3	SM94.V3-03	Base
4	SM94.V3-04	Lower Bracket
5	SM94.V3-05	Hex Key Screw
6	SM94.V3-06	Work Table
7	MSC825.SB	CSK Phillips Machine Screw m8x25 Black
8	SM94.V3-08	Fence
9	FWM10.SB	Flat Washer M10 Black(Single)
10	SM94.V3-10	Upper Bracket
11	SM94.V3-11	Knob
12	SM94.V3-12	Handle
13	SM94.V3-13	Spring
14	SM94.V3-14	Screw
15	SM94.V3-15	Cylinder
16	SM94.V3-16	Screw
17	SM94.V3-17	Gear Column Shaft
18	SM94.V3-18	Knob
19	SM94.V3-19	Depth Set Guide
20	SM94.V3-20	Gear
21	SM94.V3-21	Gear Access Plate
22	SM94.V3-22	Gear Shaft
23	SM94.V3-23	Set Screw
24	SM94.V3-24	Bracket
25	SM94.V3-25	Screw
26	SM94.V3-26	Handle, Gear Shaft
27	SM94.V3-27	"Warning" Plate
28	SM94.V3-28	Gear Casing
29	SM94.V3-29	Step Plate

Item	Part No.	Description
30	SM94.V3-30	Washer
31	SM94.V3-31	Set Screw
32	SM94.V3-32	Motor
33	SM94.V3-33	Brand Name Plate
35	SM96.A-57	Switch
36	SM94.V3-36	"Warning" Plate
37	SM94.V3-37	Screw
38	SM94.V3-38	Plate
39	SM94.V3-39	Chuck (Standard 13mm Chuck For Machine)
40	SM94.V3-40	Screw
41	SM94.V3-41	Screw
42	SCB616.SB	Socket Head Cap Screw m6x16 Black
43	SM94.V3-43	Chisel Bushing
44	SM94.V3-44	Guide Cover
45	SM94.V3-45	Screw
46	SM94.V3-46	Guide Column
47	SM94.V3-47	Screw
48	SM94.V3-48	Clamp
--	SM94CDS14	Chisel & Drill Set 1/4" (NOT SHOWN)
--	SM94CDS38	Chisel & Drill Set 3/8" (NOT SHOWN)
--	SM94CDS12	Chisel & Drill Set 1/2" (NOT SHOWN)
--	SM94.A04	1/4" Drill Bit (NOT SHOWN)
--	SM94.A05	3/8" Drill Bit (NOT SHOWN)
--	SM94.A06	1/2" Drill Bit (NOT SHOWN)
--	SM94.A07	S5 Inner Hexagon Spanner (NOT SHOWN)
--	SM94.A08	S6 Inner Hexagon Spanner (NOT SHOWN)
--	SM94.A09	Chuck (NOT SHOWN)
--	SM94.A10	Arbor Extension (NOT SHOWN)

**NOTE:** It is our policy to continually improve products and as such we reserve the right to alter data, specifications and component parts without prior notice.

**IMPORTANT:** No liability is accepted for incorrect use of product.

**WARRANTY:** Guarantee is 12 months from purchase date, proof of which will be required for any claim.

**Sealey Group**, Kempson Way, Suffolk Business Park, Bury St Edmunds, Suffolk. IP32 7AR



01284 757500



01284 703534



sales@sealey.co.uk



www.sealey.co.uk