

SEALEY

Quality MACHINERY

Sealey Group,
Bury St Edmunds,
Suffolk.

Parts Diagram for Model: SM900



01284 757500



01284 703534

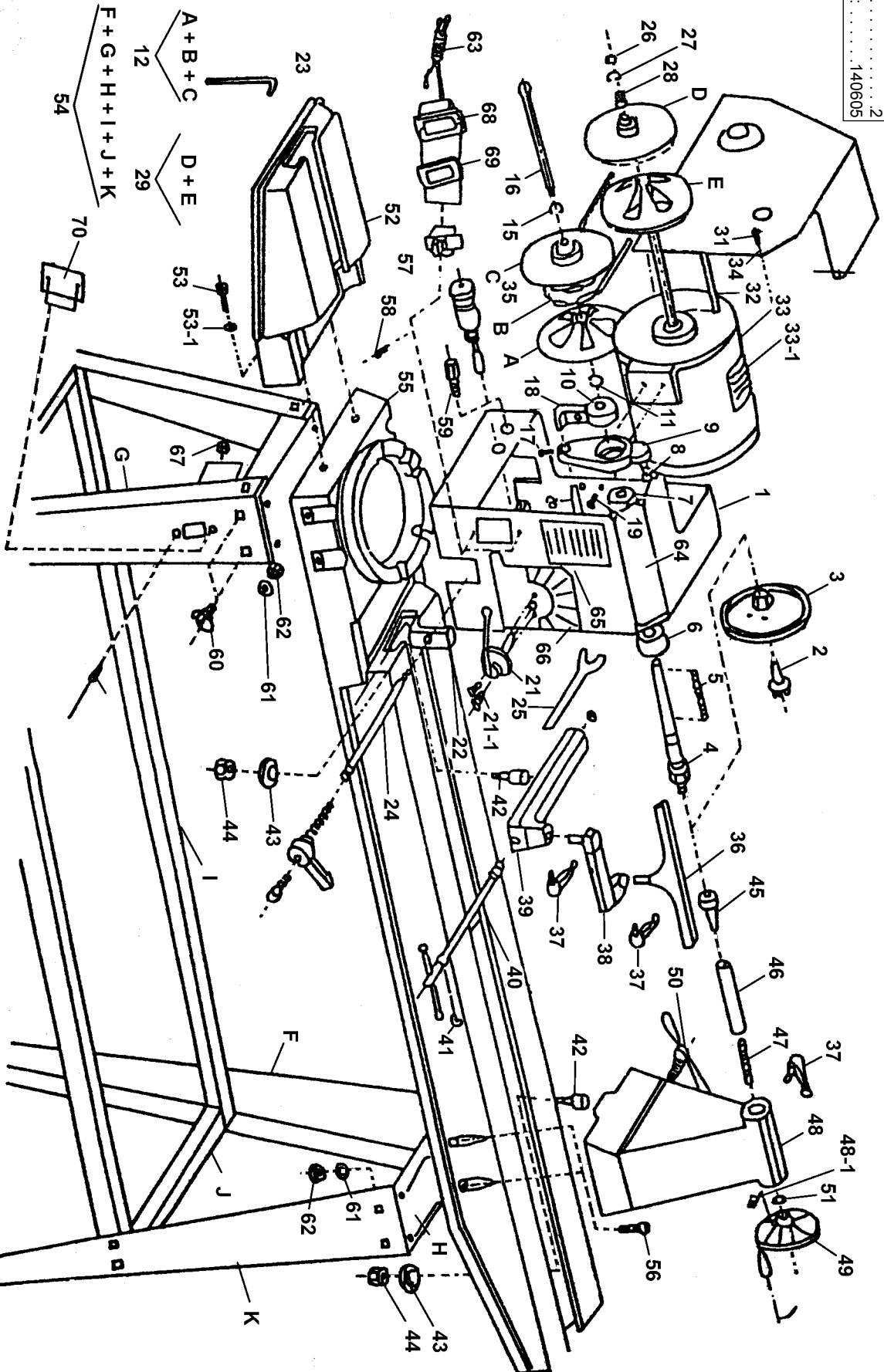


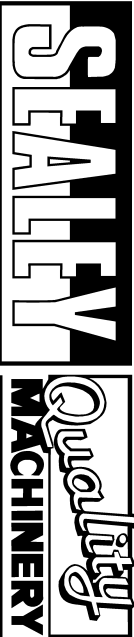
www.sealey.co.uk



sales@sealey.co.uk

Issue: 2
Issue Date: 140605





Sealey Group,
Bury St.Edmunds,
Suffolk.

Parts List for Model: SM900



01284 757500



01284 703534



www.sealey.co.uk



sales@sealey.co.uk

ITEM	PART NO	DESCRIPTION	ITEM	PART NO	DESCRIPTION	ITEM	PART NO	DESCRIPTION
01.	SM900/M01	HEADSTOCK	26.	SM900/M26	"C" RING S-16	48-1.	SM900/M48-1	SOCKEY HEAD SET SCREW M6X19
02.	SM900/M02	HEADSTOCK SPUR	27.	SM900/M27	SLEEVE	49.	SM900/M49	HANDLE WHEEL
03.	SM900/M03	FACEPLATE	28.	SM900/M28	SPRING	50.	SM900/M50	LOCK HANDLE - TAILSTOCK
04.	SM900/M04	SPINDLE	29.	SM900/M29	PULLEY MOTOR (RIGHT)	51.	SM900/M51	WASHER
05.	SM900/M05	KEY 4X4X80 (MM)	30.	SM900/M30	PULLEY MOTOR (LEFT)	52.	SM900/M52	EXTENSION BED
06.	SM900/M06	BEARING	31.	SM900/M31	SCREW M5X10	53.	SM900/M53	SCREW
07.	SM900/M07	BEARING	32.	SM900/M32	KEY 4X4X85 (MM)	53-1.	SM900/M53-1	SPRING WASHER
08.	SM900/M08	SPRING	33.	SM900/M33	MOTOR	54.	SM900/M54	STAND ASS'Y
09.	SM900/M09	BRACKET-SHIFTING LEVER	33-1.	SM900/M33-1	NAME PLATE FOR MOTOR	55.	SM900/M55	BED
10.	SM900/M10	BALL BEARING	34.	SM900/M34	COVER-MOTOR	56.	SM900/M56	SCREW
11.	SM900/M11	"C" RING S-25	35.	SM900/M35	ANGULAR SETTING ASSEMBLY	57.	SM900/M57	SWITCH
12.	SM900/M12	COMPLETE SPINDLE PULLEY	36.	SM900/M36	TOOL REST	58.	SM900/M58	SCREW
15.	SM900/M15	"C" RING S-24	37.	SM900/M37	HANDLE ASSEMBLY	59.	SM900/M59	PLASTIC JAM NUT
16.	SM900/M16	PUSH-OUT ROD	38.	SM900/M38	EXTENSION TOOL REST	60.	SM900/M60	CARRIAGE BOLT STAND
17.	SM900/M17	NUT-LOCK M12	39.	SM900/M39	TOOL REST BODY	61.	SM900/M61	WASHER-STAND
18.	SM900/M18	CLAMP-LEFT	40.	SM900/M40	ECCENTRIC ROD	62.	SM900/M62	NUT STAND
19.	SM900/M19	HEX.HD.SCREW M8X25	41.	SM900/M41	"C" RING S-19	63.	SM900/M63	POWER CORD
20.	SM900/M20	BACK	42.	SM900/M42	BOLT	64.	SM900/M64	NAME LABEL
21.	SM900/M21	GEAR ASSEMBLY	43.	SM900/M43	CLAMP	65.	SM900/M65	WARNING LABEL
21-1.	SM900/M21-1	HEX SOCKET HD.SCREW	44.	SM900/M44	HEX NUT M18	66.	SM900/M66	SPEED LABEL
22.	SM900/M22	CLAMP-RIGHT	45.	SM900/M45	TAILSTOCK LOCK	67.	SM900/M67	NUT M4
23.	SM900/M23	HEX WRENCH	46.	SM900/M46	TAIL SPINDLE	68.	SM900/M68	SWITCH BOX
24.	SM900/M24	KNOB	47.	SM900/M47	TAIL STOCK SCREW	69.	SM900/M69	SWITCH FIXING PLATE
25.	SM900/M25	SPINDLE WRENCH	48.	SM900/M48	TAILSTOCK	70.	SM900/M70	COVER