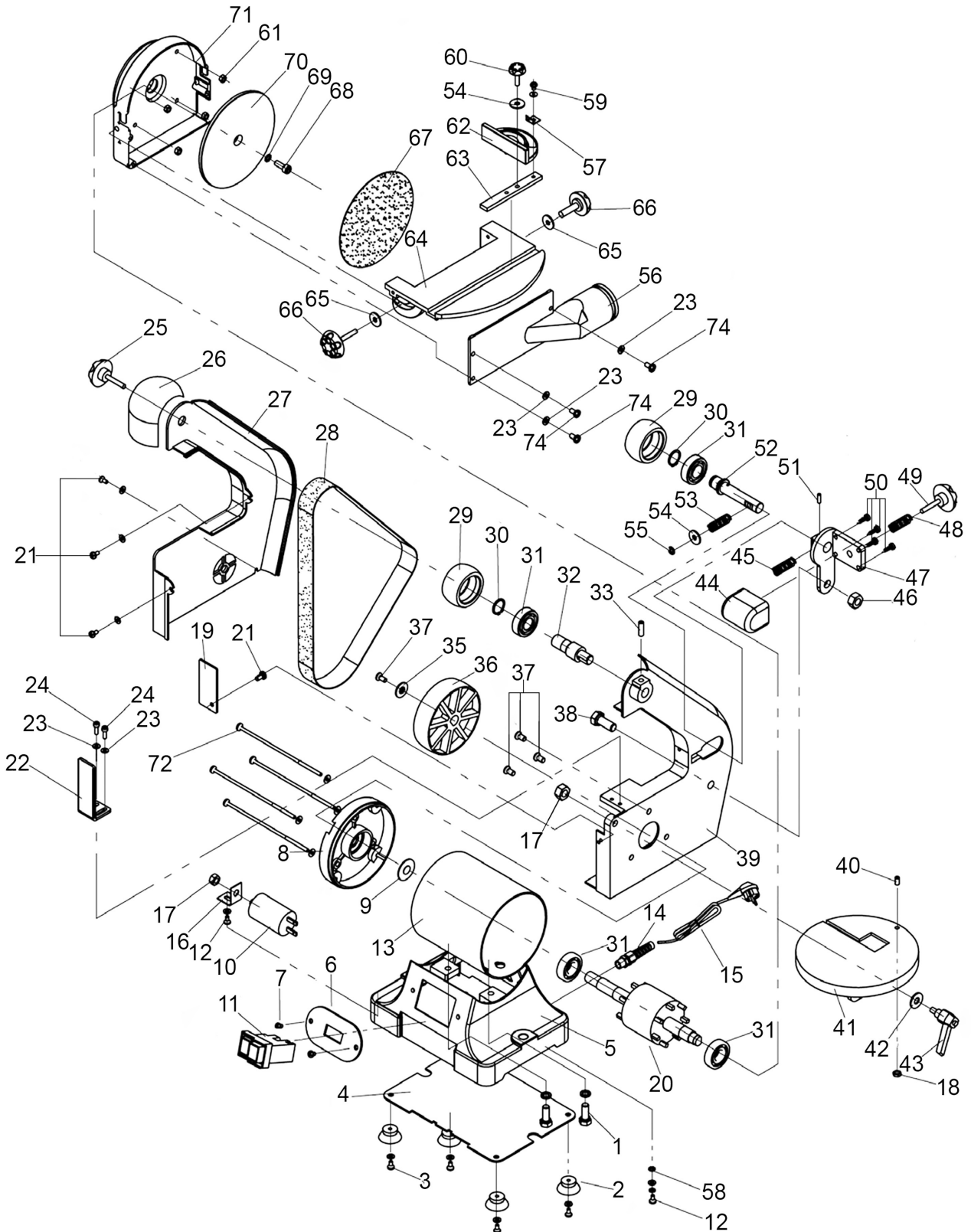


Parts Information:  
**25 x 762mm Belt/125mm Disc Sander**  
**250W/230V**  
**Model No: SM750.V2**



**NOTE:** It is our policy to continually improve products and as such we reserve the right to alter data, specifications and component parts without prior notice. There may be alternative versions of this product, please contact us should you require this information.

**IMPORTANT:** No liability is accepted for incorrect use of product. Spare parts must be fitted by a competent person

**WARRANTY:** Guarantee is 12 months from purchase date, proof of which will be required for any claim.



Parts Information:  
**25 x 762mm Belt/125mm Disc Sander**  
**250W/230V**  
**Model No: SM750.V2**

| Item | Part No.    | Description  |
|------|-------------|--|
| 1    | SM750.V2-01 | Screw & Washer Assembly M6 x 18mm                  |
| 2    | SM750.V2-02 | Rubber Foot  |
| 3    | SM750.V2-03 | Screw & Washer Assembly M4 x 12mm                  |
| 4    | SM750.V2-04 | Base Plate   |
| 5    | SM750.V2-05 | Base   |
| 6    | SM750.V2-06 | Base Plate, Switch                                 |
| 7    | SM750.V2-07 | Screw M5 x 10mm                                    |
| 8    | SM750.V2-08 | End Cover  |
| 9    | SMS2107.78  | Wavey Washer                                       |
| 10   | SM750.V2-10 | Capacitor 8µf 450V                                 |
| 11   | SM750.21    | Switch, Power Rocker KJD20-2                       |
| 12   | SM750.V2-12 | Screw & Washer Assembly M4 x 8mm                   |
| 13   | SM750.V2-13 | Stator   |
| 14   | SM750.75    | Sleeve, Strain Relief                              |
| 15   | SM750.15    | Power Cord Assembly                                |
| 16   | SMS2107.64  | Support Bracket, Capacitor                         |
| 17   | SN8.S       | Steel Nut M8                                       |
| 18   | SN6.SB      | Steel Nut M6 Black                                 |
| 19   | SM750.74    | Guard Plate, Belt                                  |
| 20   | SM750.V2-20 | Rotor  |
| 21   | MSP48.SB    | Machine Screw Pan Head Phillips M4 x 8mm Black     |
| 22   | SM750.22    | Limiting Plate, Belt                               |
| 23   | FWM4.SB     | Flat Washer M4 Black                               |
| 24   | SCB410.SB   | Socket Cap Bolt M4 x 10mm Black                    |
| 25   | SM750.25    | Knob, Cover Lock                                   |
| 26   | SM750.26    | Guard, Belt  |
| 27   | SM750.27    | Bracket Cover, Belt                                |
| 28   | SM750B60G   | Sanding Belt 60G (Pack of 5)(Please See Catalogue) |
| 29   | SM750.29    | Idler Wheel  |
| 30   | SM750.30    | Circlip 13.6mm ID                                  |
| 31   | B/6202      | Bearing  |
| 32   | SM750.32    | Idler Shaft  |
| 33   | MSC612.SB   | Csk Phillips Machine Screw M6 x 12mm Black         |
| 35   | SM750.35    | Locking Pad  |
| 36   | SM750.36    | Driven Wheel                                       |
| 37   | SM750.37    | Left Hand Thread Csk Screw M5 x 16mm Black         |
| 38   | SS1225.S    | Hex Head Set Screw M12 x 25mm                      |
| 39   | SM750.V2-39 | Belt Support                                       |

| Item | Part No.    | Description   |
|------|-------------|---|
| 40   | GSM620.S    | Grub Screw M6 x 20mm  |
| 41   | SM750.41    | Belt Sanding Table  |
| 42   | FWM6.SB     | Flat Washer M6 Black  |
| 43   | SM750.43    | Lever Assembly  |
| 44   | SM750.44    | Adjusting Shaft Guard   |
| 45   | SM750.45    | Adjusting Spring Ø11.2mm                                      |
| 46   | NLN10.S     | Nyloc Nut M10   |
| 47   | SM750.47    | Adjustable Fixing Board                                       |
| 48   | SM750.48    | Adjusting Spring Ø7.6mm                                       |
| 49   | SM750.49    | Knob, Adjustment  |
| 50   | SM750.50    | Rd Head S/T Screw M4 x 16mm Black                             |
| 51   | SA51/08     | Spring Pin M3 x 20mm  |
| 52   | SM750.52    | Adjusting Shaft   |
| 53   | SM750.53    | Adjusting Spring Ø9.8mm                                       |
| 54   | RW519.S     | Repair Washer M5 x 19mm                                       |
| 55   | SM750.55    | E-Clip 4mm ID   |
| 56   | SM750.56    | Cover, Sanding Disc   |
| 57   | SM750.57    | Indication Arrow  |
| 58   | SM750.V2-58 | Lock Washer M4  |
| 59   | MSP46.SB    | Machine Screw Pan Head, Phillips M4 x 6mm Black               |
| 60   | SM750.60    | Knob, Scale   |
| 61   | SN4.S       | Steel Nut M4  |
| 62   | SM750.62    | Mitre Gauge   |
| 63   | SM750.63    | Rod   |
| 64   | SM750.64    | Table, Sanding Disc   |
| 65   | FWM6.SB     | Flat Washer M6 Black  |
| 66   | SM750.66    | Knob, Table Lock  |
| 67   | SM750D80G   | Sanding Disc 80G (Pack of 5)                                  |
| 68   | SCB616.SB   | Socket Cap Bolt M6 x 16mm Black                               |
| 69   | SM64.V2/017 | M6 Ext Tooth Washer, Black                                    |
| 70   | SM750.70    | Backing Pad, Aluminium Ø125mm                                 |
| 71   | SM750.71    | Disc Safeguard  |
| 72   | SM750.V2-72 | Screw & Washer Assembly M4 x 153mm                            |
| 74   | SM750.V2-74 | Screw M4 x 10mm   |
| --   | SM750B80G   | Sanding Belt 80G (Pack of 5)(Optional)(Please See Catalogue)  |
| --   | SM750B120G  | Sanding Belt 120G (Pack of 5)(Optional)(Please See Catalogue) |

**NOTE:** It is our policy to continually improve products and as such we reserve the right to alter data, specifications and component parts without prior notice. There may be alternative versions of this product, please contact us should you require this information.

**IMPORTANT:** No liability is accepted for incorrect use of product. Spare parts must be fitted by a competent person

**WARRANTY:** Guarantee is 12 months from purchase date, proof of which will be required for any claim.

Sealey Group, Kempson Way, Suffolk Business Park, Bury St Edmunds, Suffolk. IP32 7AR



01284 757500



sales@sealey.co.uk



www.sealey.co.uk