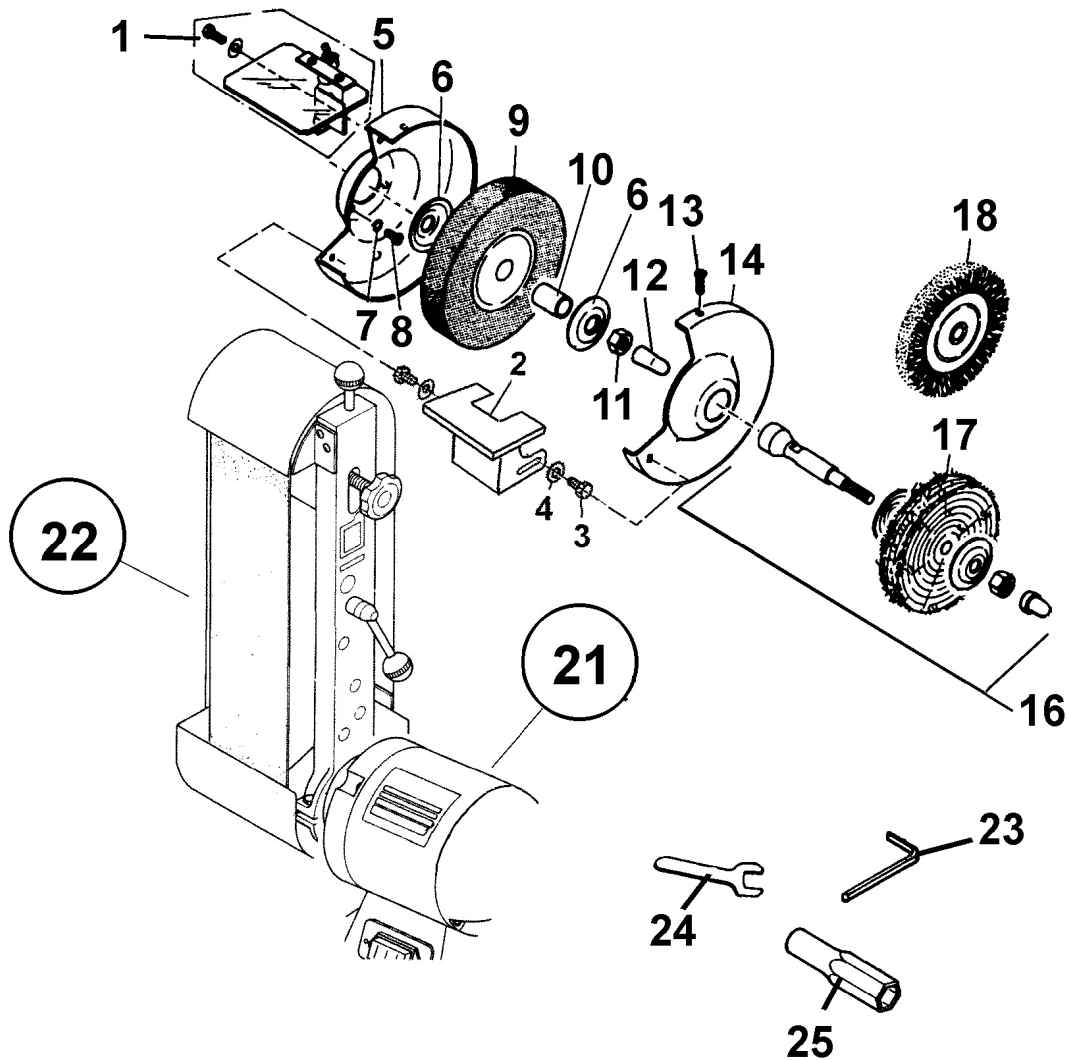


Parts Information:  
**Combination Belt Sander 100mm Wire  
 Brush/Buffer Grinder 230V**  
**Model No: SM56.V3**



Item	Part No.	Description
1	SM54A/01	Right Eye Shield
2	SM56.V3-02	Tool Rest
3	SM56.V3-03	Hex Bolt
4	SM56.V3-04	Washer
5	SM56.V3-05	Inner Cover
6	SM56A/06	Disc Washer
7	SM56A/07	Spring Washer
8	SM56A/08	Screw
9	SM54-6/GW200C	Grinding Wheel, 200x25x20
	SM54-6/GW200F	Grinding Wheel, 200x25x20
10	SM56A/10	Bush
11	SM56A/11	Hex Nut
12	SM56A/12	Rotor Shaft Cap
13	SM56A/13	Screw

Item	Part No.	Description
14	SM56.V3-14	Wheel Cover
16	SM53-56/14A	Extension Spindle C/W Washers,
17	SM54-6/BM175	Buffing Wheel
18	SM54-6/WB175	Wire Wheel 8"x3/4"x1/2"
21	SM56A/MBA	Motor Body Assembly
22	SM56A/SBA	Sanding Belt Assembly
23	SM56A/23	Hex Wrench
24	SM56A/24	Open Spanner
25	SM56A/25	Socket Wrench
--	SM56/SB060	Sanding Belt 100x1000mm 60g (NOT SHOWN)
--	SM56/SB080	Sanding Belt 100x1000mm 80g (NOT SHOWN)
--	SM56/SB100	Sanding Belt 100x1000mm 100g (NOT SHOWN)
--	SM56/SB120	Sanding Belt 100x1000mm 120g (NOT SHOWN)
--	SM56.34+37	Clamp & Capacitor (NOT SHOWN)

**NOTE:** It is our policy to continually improve products and as such we reserve the right to alter data, specifications and component parts without prior notice.

**IMPORTANT:** No liability is accepted for incorrect use of product.

**WARRANTY:** Guarantee is 12 months from purchase date, proof of which will be required for any claim.