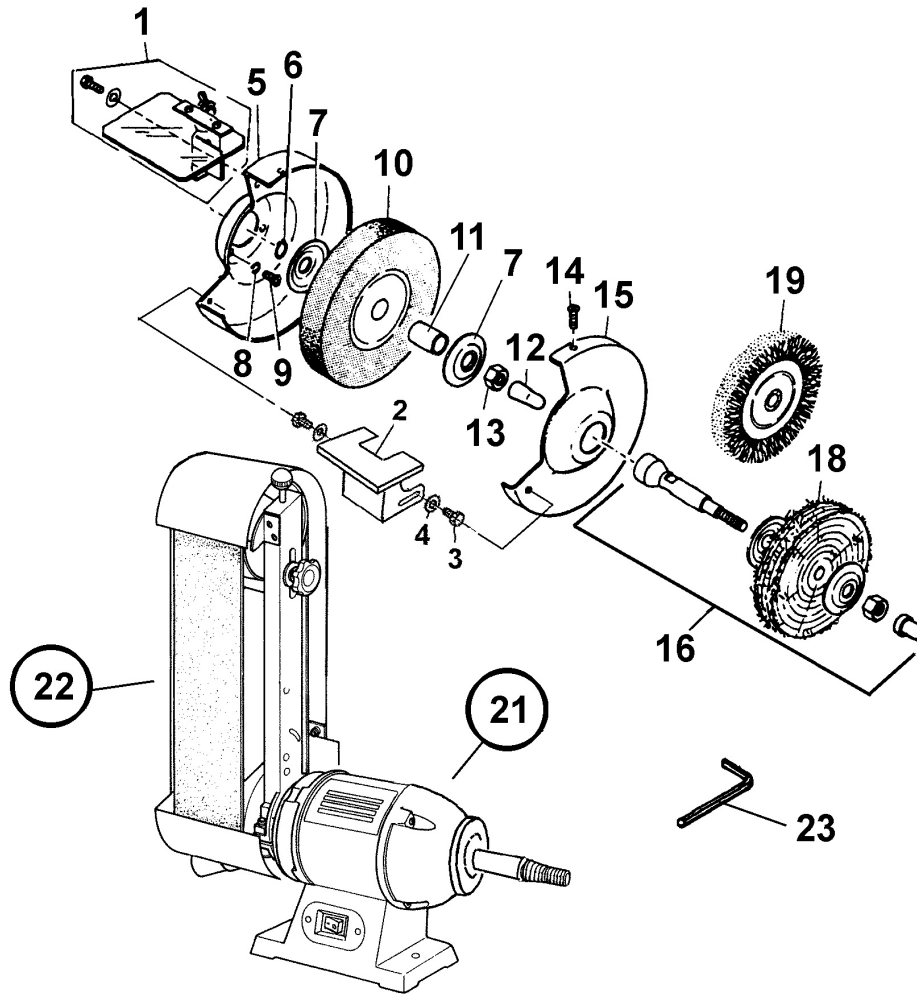


Parts Information:  
**Combination Belt Sander 50mm Wire  
 Brush/Buffer Grinder 230V  
 Model No: SM55.V3**



Item	Part No.	Description
1	SM55A/01	Eye Shield
2	SM55.V3-02	Tool Rest
3	SM56.V3-03	Hex Bolt
4	SM56.V3-04	Washer
5	SM55.V3-05	Int. Cover
6	SM55A/06	Snap Ring
7	SM55A/07	Disc Washer
8	SM55A/08	Spring Washer
9	SM55A/09	Screw
10	SM53-5/GW150C	Dry Grind Stone 6"x1"x13/16" Coarse Grit (a36q)
	SM53-5/GW150F	Dry Grind Stone 6"x1"x13/16" Fine Grit (a60p)
11	SM55A/11	Bush
12	SM55A/12	Rotor Shaft Cap
13	SM55A/13	Hex Nut
14	SM55A/14	Screw

Item	Part No.	Description
15	SM55.V3-15	Wheel Cover
16	SM53-56/14A	Extension Spindle C/W Washers,
18	SM53-5/BM125	Buffing Wheel 6"x3/4"x1/2"
19	SM53-5/WB125	Wire Wheel 6"x5/8"x1/2"
--	BG150/WW1	Wire Wheel Ø150 x 13mm 13mm Bore Narrow (NOT SHOWN)
21	SM55A/MBA	Motor Body Assembly
22	SM55A/SBA	Sanding Belt Assembly
--	SM55/SB080	Sanding Belt 50x1000mm 80 Grit (NOT SHOWN)
--	SM55/SB100	Sanding Belt 50x1000mm 100Grit (NOT SHOWN)
--	SM55/SB120	Sanding Belt 50x1000mm 120Grit (NOT SHOWN)
23	SM55A/86	Hex Wrench

**NOTE:** It is our policy to continually improve products and as such we reserve the right to alter data, specifications and component parts without prior notice.

**IMPORTANT:** No liability is accepted for incorrect use of product.

**WARRANTY:** Guarantee is 12 months from purchase date, proof of which will be required for any claim.