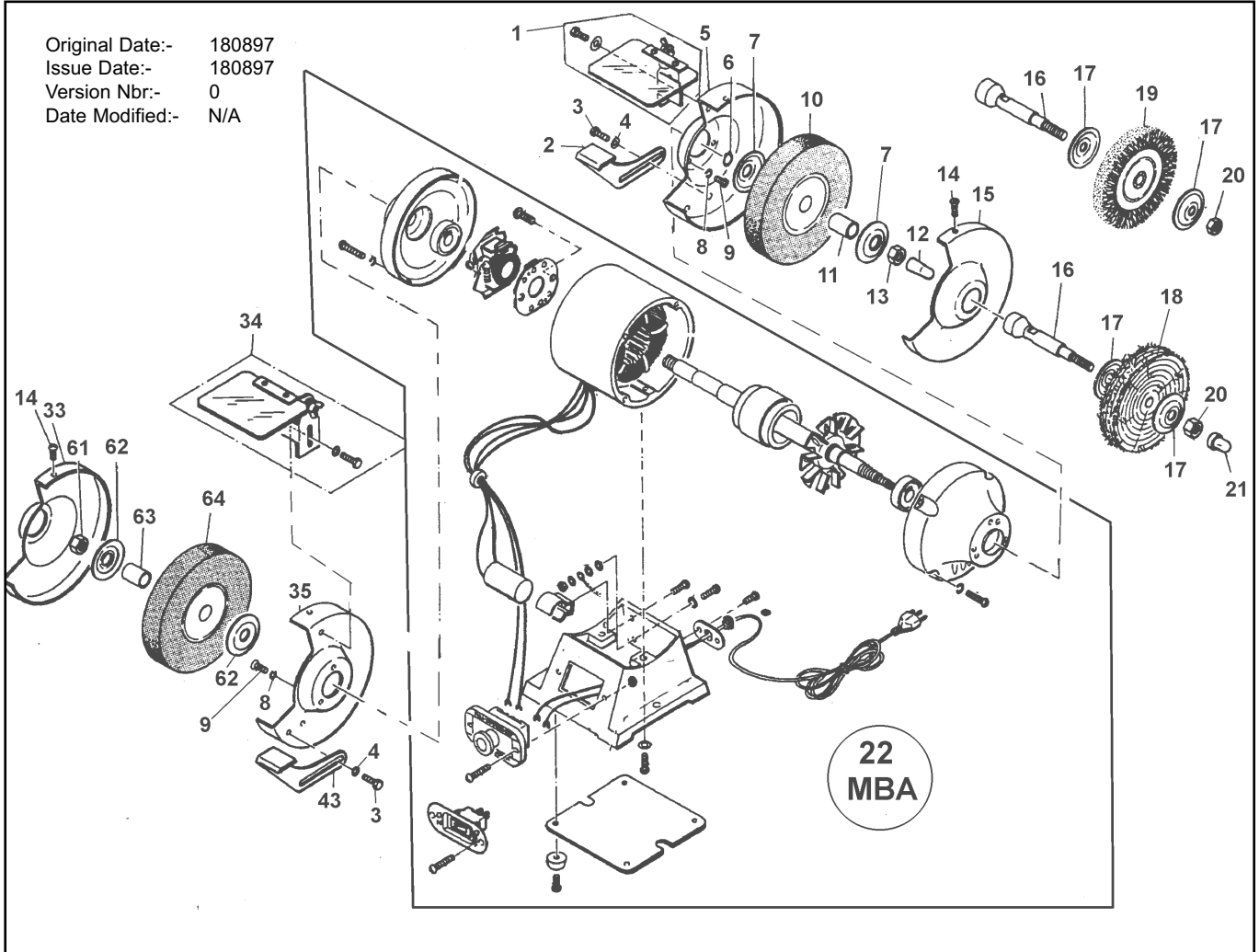


Parts List for BENCH GRINDER & BRUSH/BUFFER Models SM53 & SM54

Original Date:- 180897
Issue Date:- 180897
Version Nbr:- 0
Date Modified:- N/A



MODEL SM53

ITEM	PART NO	DESCRIPTION
1	SM53A/01	RIGHT EYE SHIELD
2	SM53A/02	RIGHT TOOLREST
3	SM53A/03	HEX BOLT
4	SM53A/04	WASHER
5	SM53A/05	RIGHT INT COVER
6	SM53A/06	SNAP RING
7	SM53A/07	DISC WASHER
8	SM53A/08	SPRING WASHER
9	SM53A/09	SCREW
10	SM53-5/GW150C	GRIND WHEEL COARSE
	SM53-5/GW150F	GRIND WHEEL FINE
11	SM53A/11	BUSH A
12	SM53A/12	ROTOR SHAFT CAP
13	SM53A/13	HEX NUT
14	SM53A/14	SCREW
15	SM53A/15	RIGHT WHEEL COVER
16	SM53-56/14A	ADAPTOR
17	SM53-56/14A	DISC WASHER
18	SM53-5/BM125	BUFFING WHEEL
19	SM53-5/WB125	WIRE WHEEL
20	SM53-56/14A	HEX NUT
21	SM53-56/14A	ADAPTOR CAP
22	SM53A/MBA	MOTOR ASSEMBLY (MBA)
33	SM53A/33	LEFT WHEEL COVER
34	SM53A/34	LEFT EYE SHIELD
35	SM53A/35	LEFT INT. COVER
43	SM53A/43	LEFT TOOLREST
61	SM53A/61	HEX NUT, LEFT THREAD
62	SM53A/62	DISC WASHER
63	SM53A/63	BUSH
64	SM53-5/GW150C	GRIND WHEEL COARSE
	SM53-5/GW150F	GRIND WHEEL FINE

MODEL SM54

ITEM	PART NO	DESCRIPTION
1	SM54A/01	RIGHT EYE SHIELD
2	SM54A/02	RIGHT TOOLREST
3	SM54A/03	HEX BOLT
4	SM54A/04	WASHER
5	SM54A/05	RIGHT INT COVER
6	SM54A/06	SNAP RING
7	SM54A/07	DISC WASHER
8	SM54A/08	SPRING WASHER
9	SM54A/09	SCREW
10	SM54-6/GW200C	GRIND WHEEL COARSE
	SM54-6/GW200F	GRIND WHEEL FINE
11	SM54A/11	BUSH A
12	SM54A/12	ROTOR SHAFT CAP
13	SM54A/13	HEX NUT
14	SM54A/14	SCREW
15	SM54A/15	RIGHT WHEEL COVER
16	SM53-56/14A	ADAPTOR
17	SM53-56/14A	DISC WASHER
18	SM54-6/BM175	BUFFING WHEEL
19	SM54-5/WB175	WIRE WHEEL
20	SM53-56/14A	HEX NUT
21	SM53-56/14A	ADAPTOR CAP
22	SM54A/MBA	MOTOR ASSEMBLY (MBA)
33	SM54A/33	LEFT WHEEL COVER
34	SM54A/34	LEFT EYE SHIELD
35	SM54A/35	LEFT INT. COVER
43	SM54A/43	LEFT TOOLREST
61	SM54A/61	HEX NUT, LEFT THREAD
62	SM54A/62	DISC WASHER
63	SM54A/63	BUSH
64	SM54-6/GW200C	GRIND WHEEL COARSE
	SM54-6/GW200F	GRIND WHEEL FINE

Sole UK Distributor,
Sealey Group,
Bury St. Edmunds, Suffolk.



01284 757500



01284 703534

E-mail:

sales@sealey.co.uk