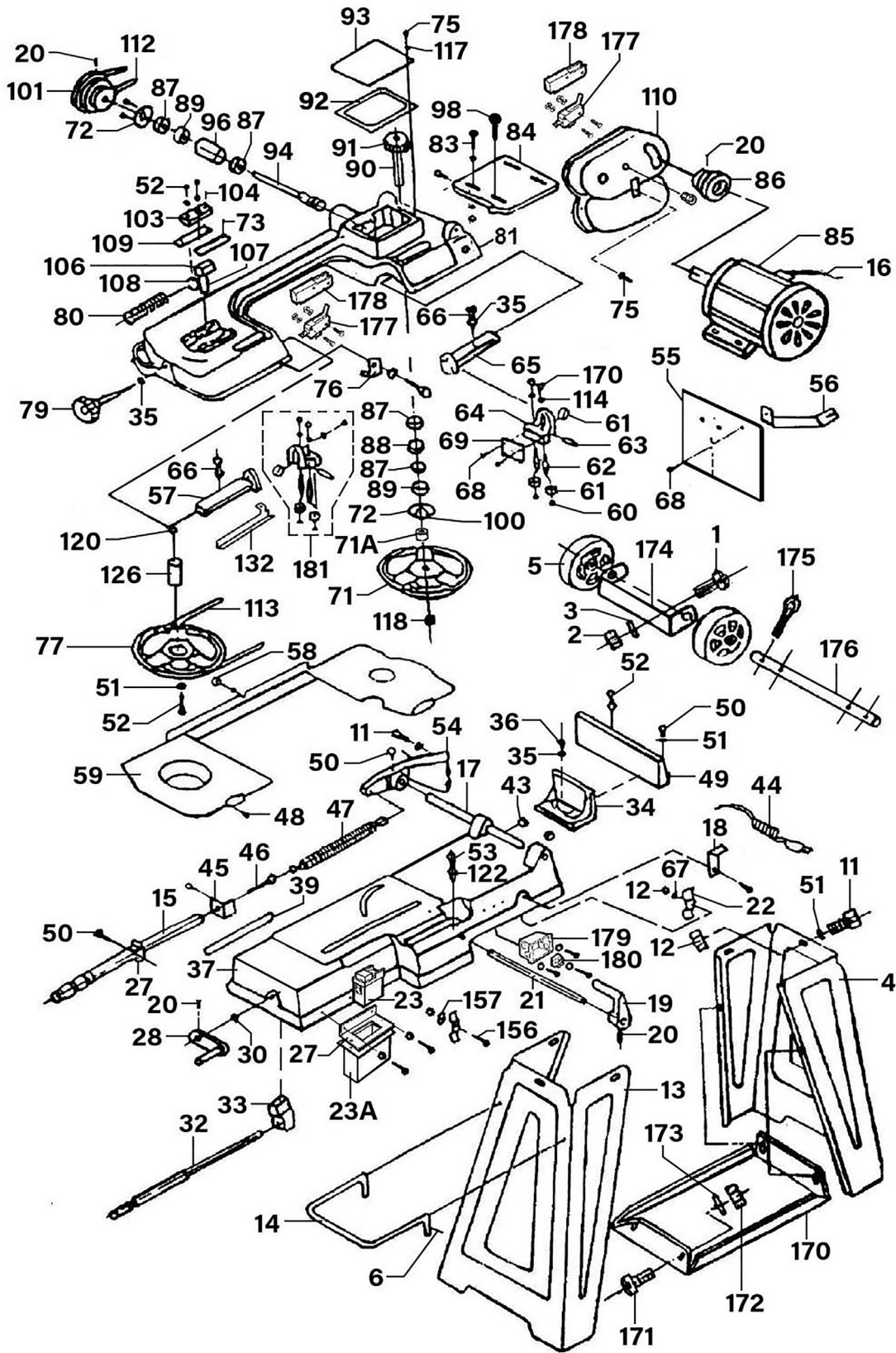


Parts Information:  
**Metal Cutting Bandsaw 3-Speed 150mm  
 230V**  
**Model No: SM5.V4**



**NOTE:** It is our policy to continually improve products and as such we reserve the right to alter data, specifications and component parts without prior notice. There may be alternative versions of this product, please contact us should you require this information.

**IMPORTANT:** No liability is accepted for incorrect use of product. Spare parts must be fitted by a competent person

**WARRANTY:** Guarantee is 12 months from purchase date, proof of which will be required for any claim.



Parts Information:  
**Metal Cutting Bandsaw 3-Speed 150mm  
230V  
Model No: SM5.V4**

Item	Part No.	Description
1	MSP612.S	Machine Screw Pan Head Phillips M6 X 12mm
2	SM5V3/02	Hexagon Nut
3	FWM6.S	Flat Washer M6 Zinc
4	SM5-V4-04	Floor Stand (Right) (Dark Grey)
5	SM5V3/05	Wheel, Fixed Plastic (D:107 W:15 B:10)
6	SM5V3/06	Cotter Pin 2.8 x 26
11	SM5V3/11	Hexagon Head Screw
12	SN8.S	Steel Nut M8 Zinc
13	SM5V3/13	Floor Stand (Left)
14	SM5V3/14	Floor Stand Handle (Optional)
15	SM5V3/15	Adjusting Rod
16	SM5V3/16	Electric Cord
17	SM5V3/17	Pivoting Cord
18	SM5V3/18	Support Plate
19	SM5V3/19	Stock Stop
20	GSM812.S	Grub Screw M8 X 12
21	SM5V3/21	Stock Stop Rod
22	SM5V3/22	Wire Relief Retainer
23	SM14C.V5-10	Magnetic Press Button Switch On/Off 6a 250v
23A	SM5V3-23A	Housing For Switch
26	SM5V3/26	Switch Panel
27	SM5V3/27	Adjusting Rod Support
28	SM5V3/28	Hand Wheel
30	ER1700PD.37	External Circlip 9.2mm ID.
32	SM5V3/32	Lead Screw
33	SM5V3/33	Vice Nut
34	SM5-V4-34	Movable Vice Plate (Dark Grey)
35	SM5V3/35	Repair Washer M10
36	SS1030.S	Hex Head Set Screw M10 X 30 Zinc
37	SM5-V4-37	Bed (Dark Grey)
39	SM5V3/39	Scale
43	SM5V3/43	Rubber Ring
44	SM5V3/44	Electric Cord
45	SM5V3/45	Nut Plate
46	SM5V3/46	Spring Adjusting Screw
47	SM5V3/47	Spring Dia 26.6mm
48	MSP48.S	Machine Screw Pan Head Phillips M4 X 8 mm
49	SM5V3/49	Vice Plate
50	SS1030.S	Hex Head Set Screw M10 X 30 Zinc
51	SM5V3/51	Washer M10x25
52	SS830.S	Hex Head Set Screw M8 X 30 Zinc
53	SM5V3/53	Hexagon Head Screw

Item	Part No.	Description
54	SM5-V4-54	Pivoting Rod Bracket (Dark Grey)
55	SM5V3/55	Vertical Cutting Plate
56	SM5V3/56	Stand, Vertical Cutting Plate
57	SM5V3/57	Adjustable Bracket (Left)
58	SM5V3/58	Thumb Screw
59	SM5V3/59	Blade Back Safety Panel
60	SM5V3/60	Thrust Washer
61	B/629ZZ	Bearing 629zz
62	SM5V3/62	Guide Pivot
63	SM5V3/63	Bearing Shaft Pin
64	SM5V3/64	Blade Adjustable Seat
65	SM5V3/65	Adjustable Bracket (Right)
66	SS1030.S	Hex Head Set Screw M10 X 30 Zinc
67	SWM10.S	Spring Washer M10 Zinc
68	MSC616.S	Csk Phillips Machine Screw M6 X 16 Zinc
69	SM5V3/69	Blade Guard
70	SN10.S	Steel Nut M10 Zinc
71	SM5V3/71	Blade Wheel (Front)
71A	SM5V3-71A	Bush
72	SM5V3/72	Blade Wheel Bearing Cover
73	SM5V3/73	Woodruff Key
75	SS616.S	Hex Head Set Screw M6 X 16 Zinc
76	SM5V3/76	Switch Cut Off Tip
77	SM5V3/77	Blade Wheel (Rear)
79	SM5V3/79	Knob, Blade Tension Adjust, Plastic, OD: 59mm L: 126mm, M10x35mm Threaded Male Fitting
80	SM5V3/80	Spring Dia 14.4mm
81	SM5-V4-81	Body Frame (Dark Grey)
83	SS830.S	Hex Head Set Screw M8 X 30 Zinc
84	SM5V3/84	Motor Mount Plate
85	SM5V3/85	Motor
86	SM5V3/86	Motor Pulley
87	B/6202Z	Bearing 6202z
88	SM5V3/88	Bearing Bushing
89	SM5V3/89	Oil Seal 15*35*7
90	SM5V3/90	Transmission Wheel Shaft
91	SM5V3/91	Transmission Gear
92	SM5V3/92	Gear Box Gasket
93	SM5V3/93	Gear Box Cover
94	SM5V3/94	Worm Gear
96	SM5V3/96	Bearing Bushing
98	SM5V3/98	Plum Screw

**NOTE:** It is our policy to continually improve products and as such we reserve the right to alter data, specifications and component parts without prior notice. There may be alternative versions of this product, please contact us should you require this information.

**IMPORTANT:** No liability is accepted for incorrect use of product. Spare parts must be fitted by a competent person

**WARRANTY:** Guarantee is 12 months from purchase date, proof of which will be required for any claim.

Sealey Group, Kempson Way, Suffolk Business Park, Bury St Edmunds, Suffolk. IP32 7AR



01284 757500



sales@sealey.co.uk



www.sealey.co.uk



Parts Information:  
**Metal Cutting Bandsaw 3-Speed 150mm  
230V  
Model No: SM5.V4**

Item	Part No.	Description
100	MSP48.S	Machine Screw Pan Head Phillips M4 X 8 mm
101	SM5.V3/101	Worm Gear Pulley
103	SM5.V3/103	Blade Tension Sliding Plate
104	SM5.V3/104	Hexagon Socket Headless Screw
106	SM5.V3/106	Sliding Plate Draw Block
107	SM5.V3/107	Blade Wheel Shaft
108	SM5.V3/108	Shaft Block
109	SM5.V3/109	Blade Tension Sliding Guides
110	SM5.V3/110	Motor Pulley Cover
112	V/M20	V-Belt (id-515) M20
113	SM5/113	Bandsaw Blade 1638 x 13 x 0.63mm 14tpi
114	SWM10.S	Spring Washer M10 Zinc
117	FWM6.S	Flat Washer M6 Zinc
118	GSA0741	External Circlip 13.7mm ID
120	SM5.V3/120	Collar
122	SN8.S	Steel Nut M8 Zinc
126	SM5.V3/126	Bushing
132	SM5.V3/132	Blade Safety Guard
156	SM5.V3/156	Round Head Cross Socket Screw
157	SM5.V3/157	Star Washer
170	SM5-V4-170	Tool plate (Dark Grey)
171	SM5.V3/171	Hexagon Head Screw
172	SM5.V3/172	Hexagon Nut

Item	Part No.	Description
173	FWM6.S	Flat Washer M6 Zinc
174	SM5.V3/174	Wheel Stand
175	SM5.V3/175	Cotter Pin 2.3 x 20.
176	SM5.V3/176	Axle
177	PDM.MS	Micro Switch For PDM Drills
178	SM5.V3-178	Micro Switch Housing
179	SM5.V3-179	Terminal Box
180	SM5.V3-180	Terminal
181	SM5.V3/181	Adjustable Blade Assy
--	SM5/113	Bandsaw Blade 1638 x 13 x 0.63mm 14tpi (Not Shown)
--	SM5/113/6	Bandsaw Blade 1638 x 13 x 0.63mm 6tpi (Not Shown)
--	SM5/113/10	Bandsaw Blade 1638 x 13 x 0.63mm 10tpi(Not Shown)
--	SM5/113/24	Bandsaw Blade 1638 x 13 x 0.63mm 24tpi(Not Shown)
--	SA51/08	Spring Pin M3 X 20 (Not Shown)
--	SM5.V3/131	Switch Protection Bracket (Not Shown)
--	SM5.V3/182	Angle Bracket (Not Shown)
--	SM5.V3/134	Screw (Not Shown)
--	SN4.S	Steel Nut M4 Zinc (Not Shown)
--	SM5.V3/169	Cross Socket Screw (Not Shown)

**NOTE:** It is our policy to continually improve products and as such we reserve the right to alter data, specifications and component parts without prior notice. There may be alternative versions of this product, please contact us should you require this information.

**IMPORTANT:** No liability is accepted for incorrect use of product. Spare parts must be fitted by a competent person

**WARRANTY:** Guarantee is 12 months from purchase date, proof of which will be required for any claim.

Sealey Group, Kempson Way, Suffolk Business Park, Bury St Edmunds, Suffolk. IP32 7AR



01284 757500



sales@sealey.co.uk



www.sealey.co.uk