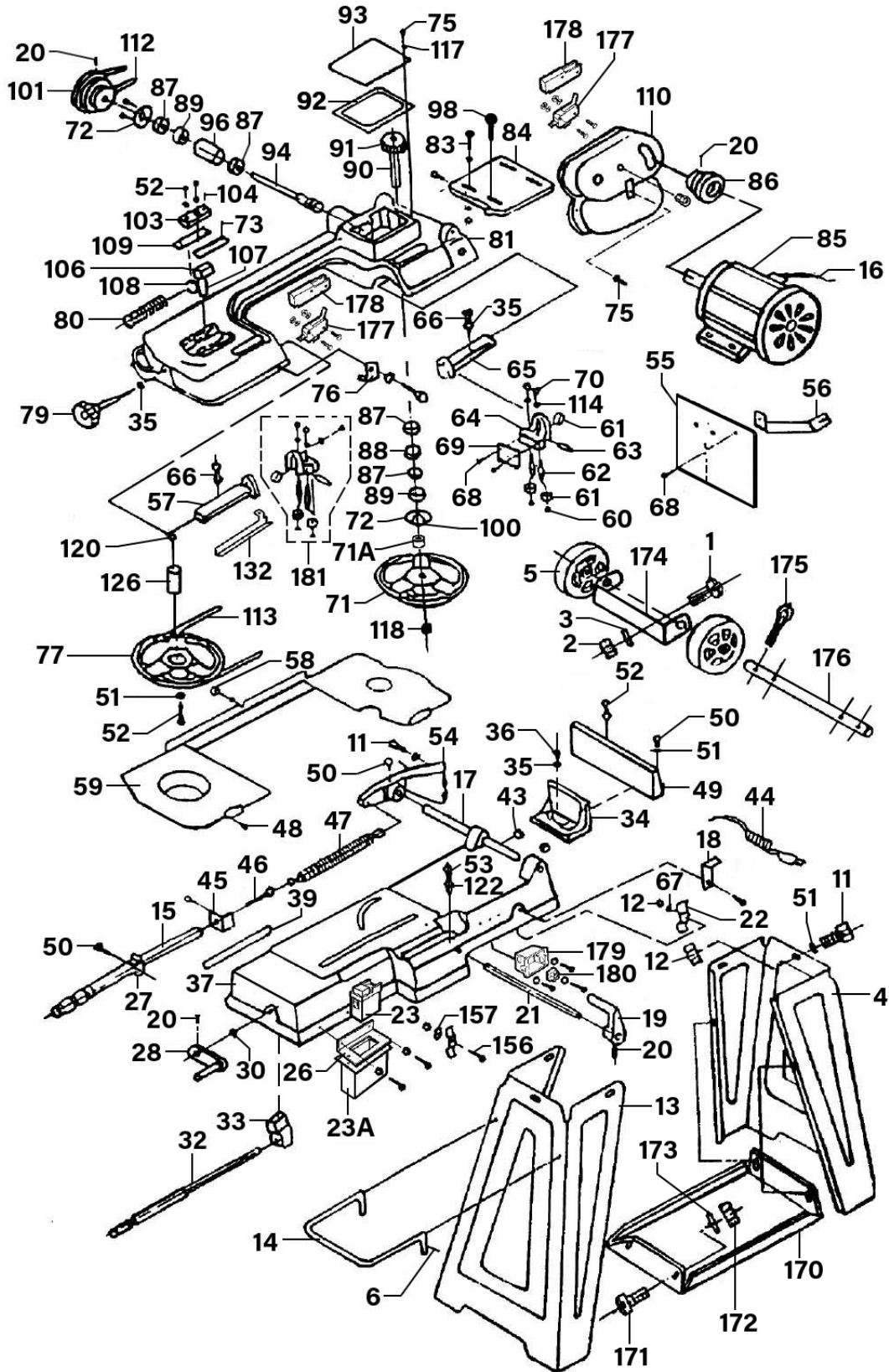


Parts Information:
**Metal Cutting Bandsaw 3-Speed 150mm
 230V
 Model No: SM5.V3**



NOTE: It is our policy to continually improve products and as such we reserve the right to alter data, specifications and component parts without prior notice. There may be alternative versions of this product, please contact us should you require this information.

IMPORTANT: No liability is accepted for incorrect use of product. Spare parts must be fitted by a competent person

WARRANTY: Guarantee is 12 months from purchase date, proof of which will be required for any claim.



Parts Information:
**Metal Cutting Bandsaw 3-Speed 150mm
 230V
 Model No: SM5.V3**

Item	Part No.	Description
1	MSP612.S	Machine Screw Pan Head Phillips M6 X 12mm
2	SM5.V3/02	Hexagon Nut
3	FWM6.S	Flat Washer M6 Zinc
4	SM5.V3/04	Floor Stand (Right)
5	SM5.V3/05	Wheel, Fixed Plastic (D:107 W:15 B:10)
6	SM5.V3/06	Cotter Pin 2.8 x 26
11	SM5.V3/11	Hexagon Head Screw
12	SN8.S	Steel Nut M8 Zinc
13	SM5.V3/13	Floor Stand (Left)
14	SM5.V3/14	Floor Stand Handle (Optional)
15	SM5.V3/15	Adjusting Rod
16	SM5.V3/16	Electric Cord
17	SM5.V3/17	Pivoting Cord
18	SM5.V3/18	Support Plate
19	SM5.V3/19	Stock Stop
20	GSM812.S	Grub Screw M8 X 12
21	SM5.V3/21	Stock Stop Rod
22	SM5.V3/22	Wire Relief Retainer
23	SM14C.V5-10	Magnetic Press Button Switch On/Off 6a 250v
23A	SM5.V3-23A	Housing For Switch
26	SM5.V3/26	Switch Panel
27	SM5.V3/27	Adjusting Rod Support
28	SM5.V3/28	Hand Wheel
30	ER1700PD.37	External Circlip 9.2mm ID.
32	SM5.V3/32	Lead Screw
33	SM5.V3/33	Vice Nut
34	SM5.V3/34	Movable Vice Plate
35	SM5.V3/35	Repair Washer M10
36	SS1030.S	Hex Head Set Screw M10 X 30 Zinc
37	SM5.V3/37	Bed
39	SM5.V3/39	Scale
43	SM5.V3/43	Rubber Ring
44	SM5.V3/44	Electric Cord
45	SM5.V3/45	Nut Plate
46	SM5.V3/46	Spring Adjusting Screw
47	SM5.V3/47	Spring Dia 26.6mm
48	MSP48.S	Machine Screw Pan Head Phillips M4 X 8 mm
49	SM5.V3/49	Vice Plate
50	SS1030.S	Hex Head Set Screw M10 X 30 Zinc
51	SM5.V3/51	Washer M10x25
52	SS830.S	Hex Head Set Screw M8 X 30 Zinc
53	SM5.V3/53	Hexagon Head Screw

Item	Part No.	Description
54	SM5.V3/54	Pivoting Rod Bracket
55	SM5.V3/55	Vertical Cutting Plate
56	SM5.V3/56	Stand, Vertical Cutting Plate
57	SM5.V3/57	Adjustable Bracket (Left)
58	SM5.V3/58	Thumb Screw
59	SM5.V3/59	Blade Back Safety Panel
60	SM5.V3/60	Thrust Washer
61	B/629ZZ	Bearing 629zz
62	SM5.V3/62	Guide Pivot
63	SM5.V3/63	Bearing Shaft Pin
64	SM5.V3/64	Blade Adjustable Seat
65	SM5.V3/65	Adjustable Bracket (Right)
66	SS1030.S	Hex Head Set Screw M10 X 30 Zinc
67	SWM10.S	Spring Washer M10 Zinc
68	MSC616.S	Csk Phillips Machine Screw M6 X 16 Zinc
69	SM5.V3/69	Blade Guard
70	SN10.S	Steel Nut M10 Zinc
71	SM5.V3/71	Blade Wheel (Front)
71A	SM5.V3-71A	Bush
72	SM5.V3/72	Blade Wheel Bearing Cover
73	SM5.V3/73	Woodruff Key
75	SS616.S	Hex Head Set Screw M6 X 16 Zinc
76	SM5.V3/76	Switch Cut Off Tip
77	SM5.V3/77	Blade Wheel (Rear)
79	SM5.V3/79	Knob, Blade Tension Adjust, Plastic, OD: 59mm L: 126mm
80	SM5.V3/80	Spring Dia 14.4mm
81	SM5.V3/81	Body Frame
83	SS830.S	Hex Head Set Screw M8 X 30 Zinc
84	SM5.V3/84	Motor Mount Plate
85	SM5.V3/85	Motor
86	SM5.V3/86	Motor Pulley
87	B/6202Z	Bearing 6202z
88	SM5.V3/88	Bearing Bushing
89	SM5.V3/89	Oil Seal 15*35*7
90	SM5.V3/90	Transmission Wheel Shaft
91	SM5.V3/91	Transmission Gear
92	SM5.V3/92	Gear Box Gasket
93	SM5.V3/93	Gear Box Cover
94	SM5.V3/94	Worm Gear
96	SM5.V3/96	Bearing Bushing
98	SM5.V3/98	Plum Screw

NOTE: It is our policy to continually improve products and as such we reserve the right to alter data, specifications and component parts without prior notice.

There may be alternative versions of this product, please contact us should you require this information.

IMPORTANT: No liability is accepted for incorrect use of product. Spare parts must be fitted by a competent person

WARRANTY: Guarantee is 12 months from purchase date, proof of which will be required for any claim.

Sealey Group, Kempson Way, Suffolk Business Park, Bury St Edmunds, Suffolk. IP32 7AR



01284 757500



01284 703534



sales@sealey.co.uk



www.sealey.co.uk



Parts Information:
**Metal Cutting Bandsaw 3-Speed 150mm
230V
Model No: SM5.V3**

Item	Part No.	Description
100	MSP48.S	Machine Screw Pan Head Phillips M4 X 8 mm
101	SM5V3/101	Worm Gear Pulley
103	SM5V3/103	Blade Tension Sliding Plate
104	SM5V3/104	Hexagon Socket Headless Screw
106	SM5V3/106	Sliding Plate Draw Block
107	SM5V3/107	Blade Wheel Shaft
108	SM5V3/108	Shaft Block
109	SM5V3/109	Blade Tension Sliding Guides
110	SM5V3/110	Motor Pulley Cover
112	V/M20	V-Belt (id-515) M20
113	SM5/113	Bandsaw Blade 1638 x 13 x 0.63mm 14tpi
114	SWM10.S	Spring Washer M10 Zinc
117	FWM6.S	Flat Washer M6 Zinc
118	GSA07.41	External Circlip 13.7mm ID
120	SM5V3/120	Collar
122	SN8.S	Steel Nut M8 Zinc
126	SM5V3/126	Bushing
132	SM5V3/132	Blade Safety Guard
156	SM5V3/156	Round Head Cross Socket Screw
157	SM5V3/157	Star Washer
170	SM5V3/170	Tool plate
171	SM5V3/171	Hexagon Head Screw
172	SM5V3/172	Hexagon Nut

Item	Part No.	Description
173	FWM6.S	Flat Washer M6 Zinc
174	SM5V3/174	Wheel Stand
175	SM5V3/175	Cotter Pin 2.3 x 20.
176	SM5V3/176	Axle
177	PDM.MS	Micro Switch For Pdm Drills
178	SM5V3-178	Micro Switch Housing
179	SM5V3-179	Terminal Box
180	SM5V3-180	Terminal
181	SM5V3/181	Adjustable Blade Assy
--	SM5/113	Bandsaw Blade 1638 x 13 x 0.63mm 14tpi (Not Shown)
--	SM5/113/6	Bandsaw Blade 1638 x 13 x 0.63mm 6tpi (Not Shown)
--	SM5/113/10	Bandsaw Blade 1638 x 13 x 0.63mm 10tpi(Not Shown)
--	SM5/113/24	Bandsaw Blade 1638 x 13 x 0.63mm 24tpi(Not Shown)
--	SA51/08	Spring Pin M3 X 20 (Not Shown)
--	SM5V3/131	Switch Protection Bracket (Not Shown)
--	SM5V3/182	Angle Bracket (Not Shown)
--	SM5V3/134	Screw (Not Shown)
--	SN4.S	Steel Nut M4 Zinc (Not Shown)
--	SM5V3/169	Cross Socket Screw (Not Shown)

NOTE: It is our policy to continually improve products and as such we reserve the right to alter data, specifications and component parts without prior notice. There may be alternative versions of this product, please contact us should you require this information.

IMPORTANT: No liability is accepted for incorrect use of product. Spare parts must be fitted by a competent person

WARRANTY: Guarantee is 12 months from purchase date, proof of which will be required for any claim.

Sealey Group, Kempson Way, Suffolk Business Park, Bury St Edmunds, Suffolk. IP32 7AR



01284 757500



01284 703534



sales@sealey.co.uk



www.sealey.co.uk