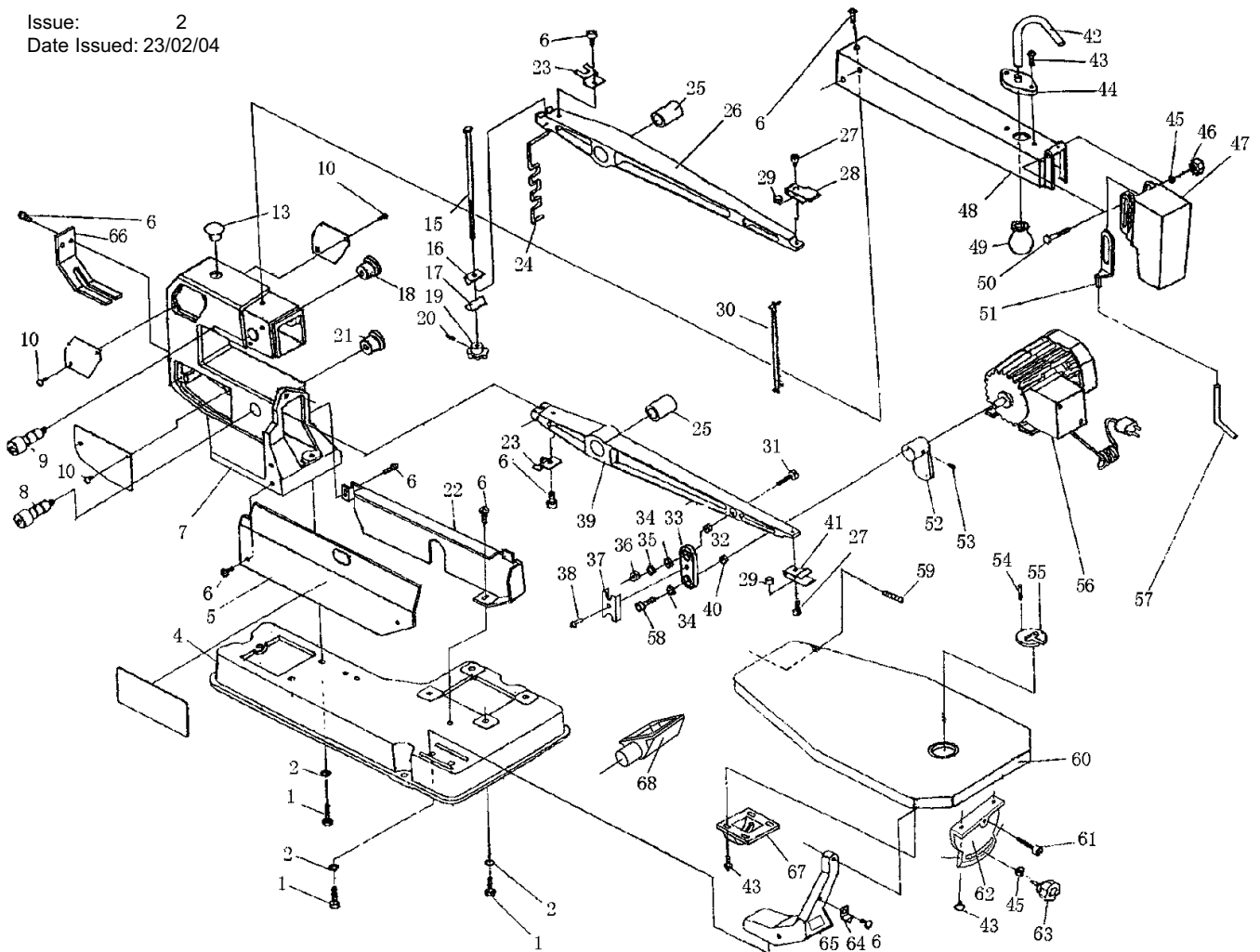


Issue: 2
 Date Issued: 23/02/04



Item	Part No.	Description
1	SM43.V2-01	Bolt
2	SM43.V2-02	Washer
4	SM43.V2-04	Base
5	SM43.V2-05	Cover (Left)
6	SM43.V2-06	Screw
7	SM43.V2-07	Body
8	SM43.V2-08	Pin Shaft
9	SM43.V2-09	Pin Shaft
10	SM43.V2-10	Screw
13	SM43.V2-13	Plug
15	SM43.V2-15	Bolt
16	SM43.V2-16	Bolster
17	SM43.V2-17	Bolster
18	SM43.V2-18	Plug
19	SM43.V2-19	Locking Knob
20	SM43.V2-20	Pin
21	SM43.V2-21	Plug
22	SM43.V2-22	Cover (Right)
23	SM43.V2-23	Retainer
24	SM43.V2-24	Spring
25	SM43.V2-25	Bushing
26	SM43.V2-26	Upper Arm
27	SM43.V2-27	Screw

Item	Part No.	Description
28	SM43.V2-28	Upper Blade Holder
29	SM43.V2-29	Collar
30	SM43B10	Blade, 10tpi, Pack of 12
30	SM43B15	Blade, 15tpi, Pack of 12
30	SM43B18	Blade, 18tpi, Pack of 12
30	SM43B25	Blade, 25tpi, Pack of 12
31	SM43.V2-31	Screw
32	SM43.V2-32	Washer
33	SM43.V2-33	Connecting Rod
34	SM43.V2-34	Bushing
35	SM43.V2-35	Spring Washer
36	SM43.V2-36	Nut
37	SM43.V2-37	Retainer
38	SM43.V2-38	Screw
39	SM43.V2-39	Lower Arm
40	SM43.V2-40	Washer
41	SM43.V2-41	Lower Blade Holder
42	SM43.V2-42	Tubing
43	SM43.V2-43	Screw
44	SM43.V2-44	Pad
45	SM43.V2-45	Washer
46	SM43.V2-46	Nut
47	SM43.V2-47	Blade Guard

Item	Part No.	Description
48	SM43.V2-48	Arm Cover
49	SM43.V2-49	Air Diaphragm
50	SM43.V2-50	Bolt
51	SM43.V2-51	Holder
52	SM43.V2-52	Eccentric
53	SM43.V2-53	Screw
54	SM43.V2-54	Spring Pin
55	SM43.V2-55	Table Insert
56	SM43.V2-56	Motor
57	SM43.V2-57	Brass Tube
58	SM43.V2-58	Screw
59	SM43.V2-59	Screw
60	SM43.V2-60	Table
61	SM43.V2-61	Screw
62	SM43.V2-62	Mitre Scale
63	SM43.V2-63	Clamp Assembly
64	SM43.V2-64	Indicator
65	SM43.V2-65	Bracket
66	SM43.V2-66	Retainer Plate
67	SM43.V2-67	Lower Guard
68	SM43.V2-68	Dust Chute