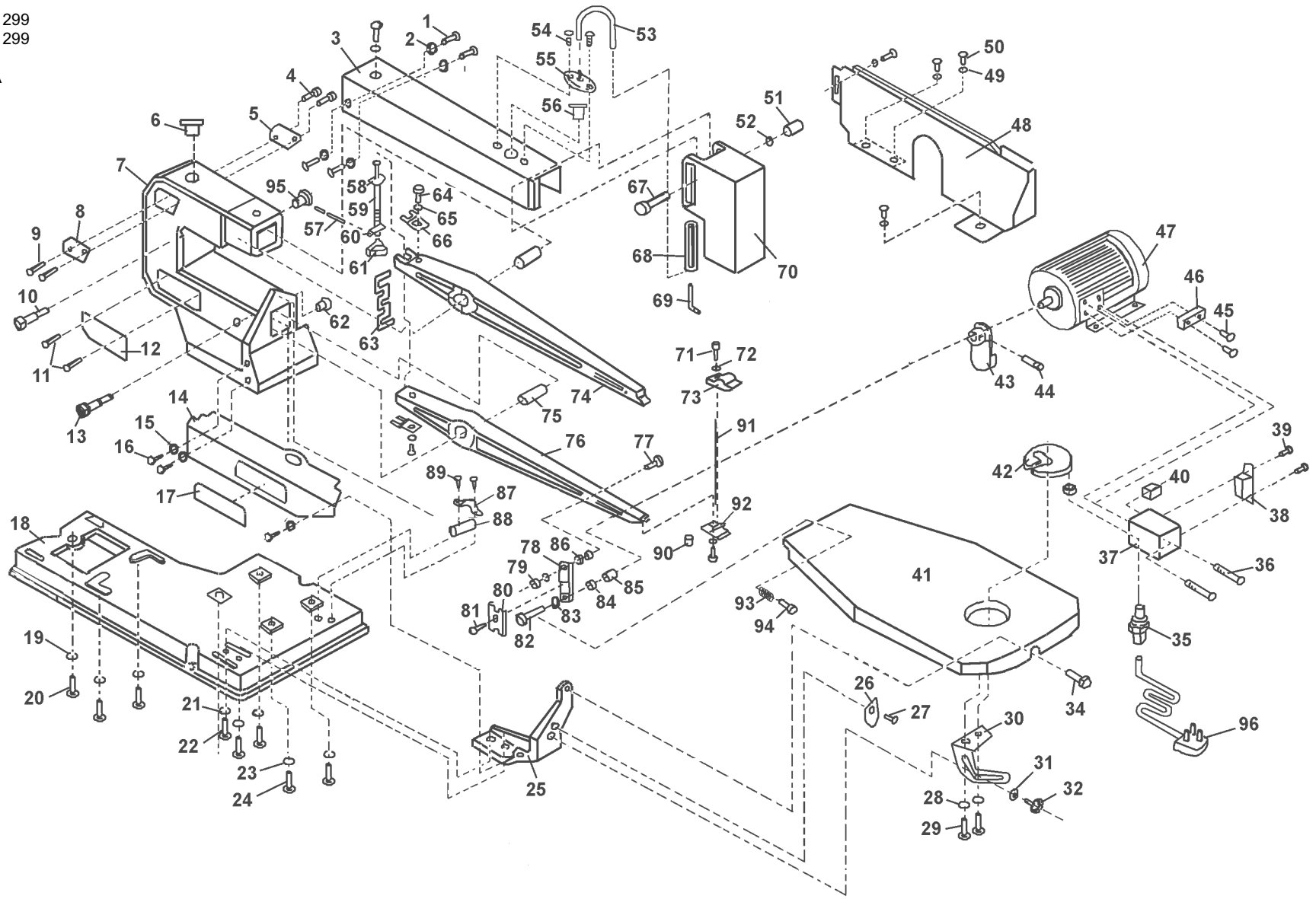


Original Date:- 081299
Issue Date:- 081299
Version Nbr:- 0
Date Modified:- N/A





Sealey Group,
Bury St.Edmunds,
Suffolk.

Parts List for SCROLL SAW

Model: SM43/C

☎ 01284 757500 🖨 01284 703534 **E-mail:** sales@sealey.co.uk

ITEM	PART NO	DESCRIPTION	ITEM	PART NO	DESCRIPTION	ITEM	PART NO	DESCRIPTION
	M43/FK	ACCESSORY PACK	35	SM43C/32	LOCK KNOB	68	SM43C/68	PIPE CLAMP
	SM43/M	MOTOR, 1/16HP, 50Hz, 220V	36	SM43C/34	HEX SOCKET HD.SCREW	69	SM43C/69	PIPE
1	SM43/S	SWITCH	37	SM43C/35	STRAIN RELIEF	70	SM43C/70	BLADE GUARD
2	SM43C	16" SCROLL SAW	38	SM43C/36	CROSS PAN HD.SCREW	71	SM43C/71	HEX SOCKET HD.SCREW
3	SM43C/01	CROSS PAN HD.SCREW	39	SM43C/37	SWITCH HOUSING	72	SM43C/72	WASHER
4	SM43C/02	WASHER	40	SM43C/38	SWITCH	73	SM43C/73	TOP BLADE HOLDER
5	SM43C/03	STEEL HOUSING	41	SM43C/39	SCREW	74	SM43C/74	TOP ARM ROCKER
6	SM43C/04	CROSS PAN HD.SCREW	42	SM43C/40	CAPACITOR	75	SM43C/75	BUSHING
7	SM43C/05	RIGHT LABEL	43	SM43C/41	TABLE	76	SM43C/76	BOTTOM ARM ROCKER
8	SM43C/06	PLUG	44	SM43C/42	TABLE INSERT	77	SM43C/77	HEX SOCKET HD.SCREW
9	SM43C/07	BODY	45	SM43C/43	ECCENTRIC	78	SM43C/78	LINK
10	SM43C/08	LEFT LABEL	46	SM43C/44	HEX.SOCKET SCREW	79	SM43C/79	HEX.NUT
11	SM43C/09	CROSS PAN HD.SCREW	47	SM43C/45	CROSS PAN. HD.SCREW	80	SM43C/80	LINK COVER
12	SM43C/10	PIVOT	48	SM43C/46	TERMINAL BLOCK	81	SM43C/81	SELF TAPPING SCREW
13	SM43C/11	CROSS PAN HD.SCREW	49	SM43C/47	MOTOR	82	SM43C/82	HEX.SOCKET HD.SCREW
14	SM43C/12	LABEL	50	SM43C/48	RIGHT GUARD	83	SM43C/83	SPRING
15	SM43C/13	PIVOT	51	SM43C/49	WASHER	84	SM43C/84	BEARING
16	SM43C/14	LEFT GUARD	52	SM43C/50	CROSS PAN HD.SCREW	85	SM43C/85	SPACER
17	SM43C/15	WASHER	53	SM43C/51	NUT	86	SM43C/86	SPACER
18	SM43C/16	CROSS PAN HD.SCREW	54	SM43C/52	WASHER	87	SM43C/87	CABLE CLIP
19	SM43C/17	LABEL	55	SM43C/53	PLASTIC TUBE	88	SM43C/88	RUBBER SLEEVE
20	SM43C/18	BASE	56	SM43C/54	CROSS PAN HD.SCREW	89	SM43C/89	CROSS PAN HD.SCREW
21	SM43C/19	SPRING WASHER	57	SM43C/55	AIR INTAKE SEAT	90	SM43C/90	SPACER
22	SM43C/20	HEX HD.SCREW	58	SM43C/56	AIR INTAKE	91	SM43C/91	BLADE
23	SM43C/21	SPRING WASHER	59	SM43C/57	PIN	92	SM43C/92	BOTTOM BLADE HOLDER
24	SM43C/22	HEX HD.SCREW	60	SM43C/58	BOLSTER	93	SM43C/93	SPRING
25	SM43C/23	SPRING WASHER		SM43C/59	ADJUSTING ROD	94	SM43C/94	HEX.SOCKET HD.SCREW
26	SM43C/24	HEX HD.SCREW		SM43C/60	BOLSTER THREADED	95	SM43C/95	PLUG
27	SM43C/25	FRONT SUPPORT	61	SM43C/61	TENSION KNOB	96	CS2.5M3CBLK	ELECTRICAL CABLE
28	SM43C/26	POINTER	62	SM43C/62	PLUG		SM43R	SCROLL SAW
29	SM43C/27	CROSS PAN HD.SCREW	63	SM43C/63	SPRING		SM43R/01	WARNING LABEL
30	SM43C/28	WASHER	64	SM43C/64	HEX SOCKET HD.SCREW		SM43R/02	SCREW
31	SM43C/29	CROSS PAN HD.SCREW	65	SM43C/65	SPRING WASHER		SM43R/03	COVER, PLATE
32	SM43C/30	ANGLE ADJUSTMENT GAUGE	66	SM43C/66	RETAINER			
34	SM43C/31	WASHER	67	SM43C/67	HEX SOCKET HD.SCREW			

NOTE: It is our policy to continually improve products and as such we reserve the right to alter data, specifications and component parts without prior notice.

IMPORTANT: No liability is accepted for incorrect use of this equipment.

WARRANTY: Guarantee is 12 months from purchase date, proof of which will be required for any claim.

INFORMATION: Call us for a copy of our latest catalogue on 01284 757525 and leave your full name and address including your postcode.