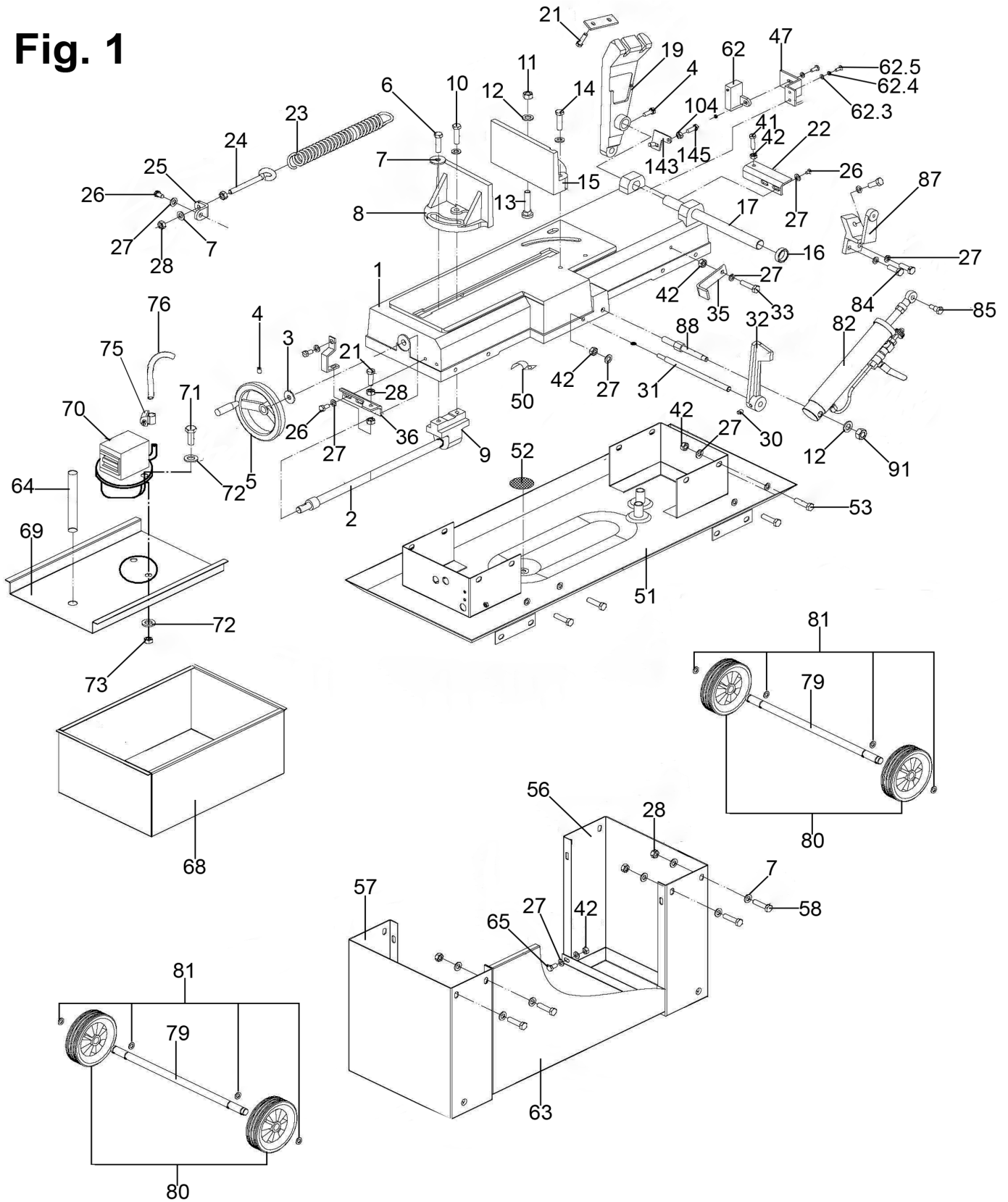


**Fig. 1**



**NOTE:** It is our policy to continually improve products and as such we reserve the right to alter data, specifications and component parts without prior notice. There may be alternative versions of this product, please contact us should you require this information.

**IMPORTANT:** No liability is accepted for incorrect use of product. Spare parts must be fitted by a competent person

**WARRANTY:** Guarantee is 12 months from purchase date, proof of which will be required for any claim.



Parts Information:  
**Bandsaw 300mm Horizontal Hydraulic  
Arm**  
**Model No: SM35CE.V5**

Item	Part No.	Description
1	SM35CE-V5-001	Table (Dark Grey)
2	SM35CE.V4-002	Screw
3	FWM16.S	Flat Washer M16 Zinc
4	GSM812.S	Grub Screw M8 X 12
5	SM35CE.V4-005	Hand Wheel
6	SM35CE.V4-006	Hex Screw 3/8 x 1-1/4"
7	FWM10.S	Flat Washer M10 Zinc
8	SM35CE-V5-008	Vice Jaw Bracket (Front) (Dark Grey)
9	SM35CE.V4-009	Bracket
10	SS1040.S	Hex Head Set Screw M10 X 40 Zinc
11	SM35CE.V4-011	Hex Nut 1/2"
12	FWM12.S	Flat Washer M12 Zinc
13	SM35CE.V4-013	Carriage Roll 1/2 x 2-1/2"
14	SS1050.S	Hex Head Set Screw M10 X 50 Zinc
15	SM35CE-V5-015	Vice Jaw Bracket (Rear) (Dark Grey)
16	SM35CE.V4-016	Bushing
17	SM35CE.V4-017	Support Rod
19	SM35CE-V5-019	Pivot Bracket (Dark Grey)
21	SS1030.S	Hex Head Set Screw M10 X 30 Zinc
22	SM35CE.V4-022	Support Plate
23	SM35CE.V4-023	Spring Dia 32mm
24	SM35CE.V4-024	Spring Adjusting Rod
25	SM35CE.V4-025	Spring Handle Bracket
26	SS816.S	Hex Head Set Screw M8 X 16 Zinc
27	FWM8.S	Flat Washer M8 Zinc
28	SN10.S	Steel Nut M10 Zinc
30	SS830.S	Hex Head Set Screw M8 X 30 Zinc
31	SM35CE.V4-031	Stock Stop Rod
32	SM35CE-V5-032	Stop Block (Dark Grey)
33	SM35CE.V4-033	Hex Screw 5/16 x 5/8"
35	SM35CE.V4-035	Support Plate
36	SM35CE.V4-036	Support Plate
41	SS835.S	Hex Head Set Screw M8 X 35 Zinc
42	SN8.S	Steel Nut M8 Zinc

Item	Part No.	Description
50	SM35CE.V4-050	Wire Retainer
51	SM35CE-V5-051	Coolant Pan (Dark Grey)
52	SM35CE.V4-052	Filter
53	SM35CE.V4-053	Hex Screw 5/16 x 1-1/4"
56	SM35CE-V5-056	Leg (Right) (Dark Grey)
57	SM35CE-V5-057	Leg (Left) (Dark Grey)
58	SS1020.S	Hex Head Set Screw M10 X 20 Zinc
62	SM35CE.V4-062	Limit Switch, Complete in Housing
62.3	SM35CEV4062-3	Spring Washer
62.4	SM35CEV4062-4	Washer
62.5	SM35CEV4062-5	Round Head Screw
63	SM35CE-V5-063	Panel (Dark Grey)
64	SM35CE.V4-064	Hose 20mm x 24mm x 160mm
65	SM35CE.V4-065	Hex Screw 5/16 x 5/8"
68	SM35CE-V5-068	Coolant Tank (Dark Grey)
69	SM35CE-V5-069	Pump Support (Dark Grey)
70	SM35CEV4.070N	Cooling Pump (2007 onwards)
71	MSP525.S	Machine Screw Pan Head Phillips M5 X 25mm
72	FWM5.S	Flat Washer M5 Zinc
73	SN5.S	Steel Nut M5 Zinc
75	SM35CE.V4-075	Hose Clamp
76	SM35CE.V4-076	Hose 8mm x 12mm x 2500mm
79	SM35CE.V4-079	Wheel Rod
80	SM35CE.V4-080	Wheel, Fixed Plastic (D:124 W:30 B:15)
81	SM900/M41	External Circlip 14.6mm ID
82	SM35CE.V4-082	Cylinder
84	SS825.S	Hex Head Set Screw M8 X 25 Zinc
85	SM35CE.V4-085	Hex Screw 3/8 x 1-1/4"
87	SM35CE.V4-087	Cylinder Bracket
88	SM35CE.V4-088	Support Body
91	SN12.S	Steel Nut M12 Zinc
104	FWM6.S	Flat Washer M6 Zinc
143	SM35CE.V4-143	Switch Hip
145	SS625.S	Hex Head Set Screw M6 X 25 Zinc

**NOTE:** It is our policy to continually improve products and as such we reserve the right to alter data, specifications and component parts without prior notice. There may be alternative versions of this product, please contact us should you require this information.

**IMPORTANT:** No liability is accepted for incorrect use of product. Spare parts must be fitted by a competent person

**WARRANTY:** Guarantee is 12 months from purchase date, proof of which will be required for any claim.

Sealey Group, Kempson Way, Suffolk Business Park, Bury St Edmunds, Suffolk. IP32 7AR



01284 757500

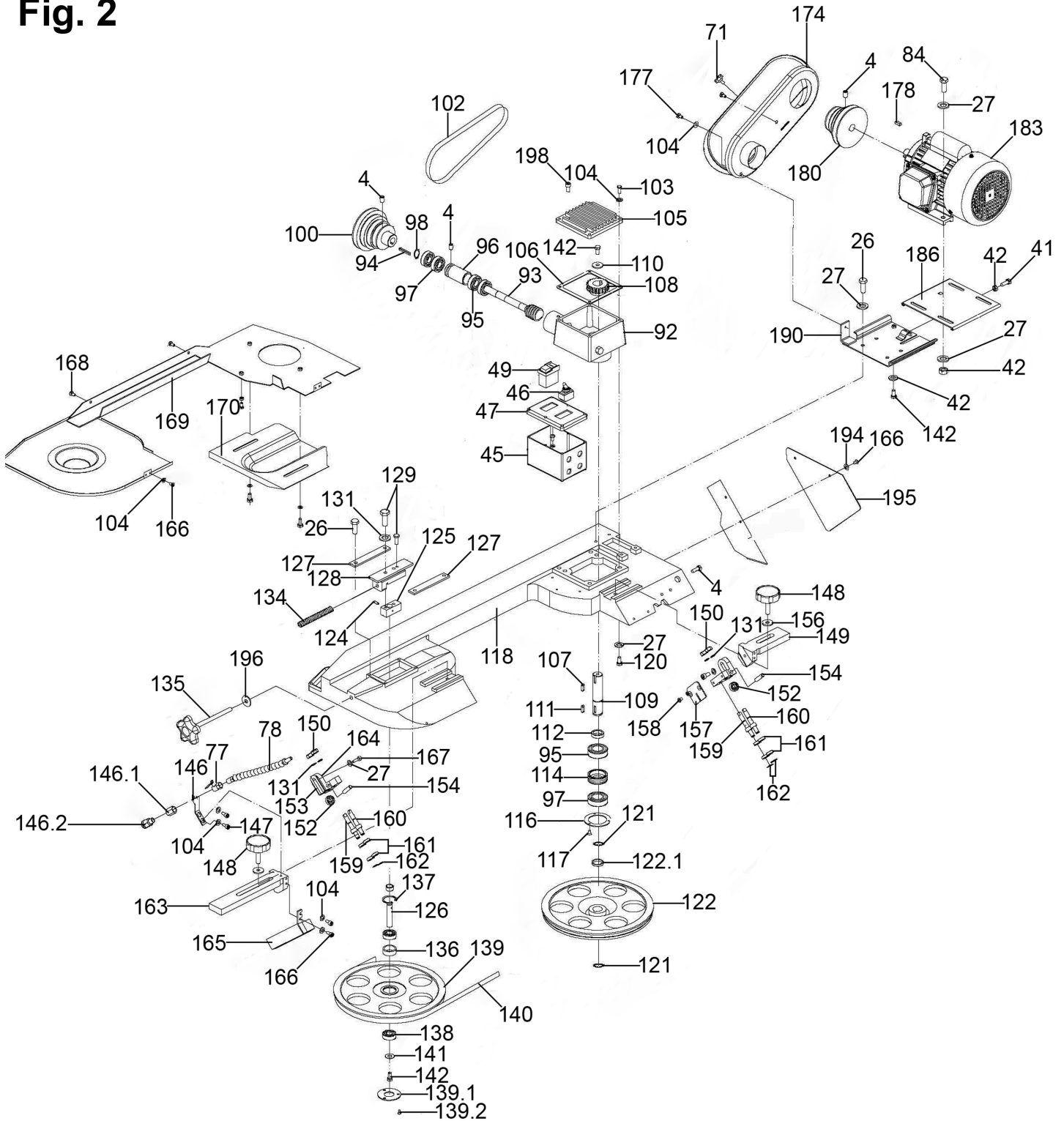


sales@sealey.co.uk



www.sealey.co.uk

**Fig. 2**



**NOTE:** It is our policy to continually improve products and as such we reserve the right to alter data, specifications and component parts without prior notice. There may be alternative versions of this product, please contact us should you require this information.

**IMPORTANT:** No liability is accepted for incorrect use of product. Spare parts must be fitted by a competent person

**WARRANTY:** Guarantee is 12 months from purchase date, proof of which will be required for any claim.



Parts Information:  
**Bandsaw 300mm Horizontal Hydraulic  
 Arm**  
**Model No: SM35CE.V5**

Item	Part No.	Description
4	GSM812.S	Grub Screw M8 X 12
26	SS816.S	Hex Head Set Screw M8 X 16 Zinc
27	FWM8.S	Flat Washer M8 Zinc
41	SS835.S	Hex Head Set Screw M8 X 35 Zinc
42	SN8.S	Steel Nut M8 Zinc
45	SM35CE.V4-045	Electrical Box
46	SM35CE.V4-046	Coolant Swith (On/Off) Press Button
47	SM35CE.V4-047	Cover
49	SM35CE.V4-049	Main On/Off Switch (250V-15A)
71	MSP525.S	Machine Screw Pan Head Phillips M5 X 25mm
77	SM35CE.V4-077	Tube Fitting 1/4"pt
84	SS825.S	Hex Head Set Screw M8 X 25 Zinc
92	SM35CE-V5-092	Gearbox (Dark Grey)
95	B/6003ZZ	Bearing 6003zz
96	SM35CE.V4-096	Bearing Bushing
97	B/6003Z	Bearing 6003z
98	SM35CE.V4-098	External Circlip 15.8mm ID.
100	SM35CE.V4-100	Worm Pulley
102	V/A24.5	V-Belt (id-620) A24-1/2
103	SM35CE.V4-103	Hex Screw 1/4 x 5/8"
104	FWM6.S	Flat Washer M6 Zinc
105	SM35CE.V4-105	Gear Box Cover (small)
106	SM35CE.V4-106	Gear Box Gasket (small)
107	SM35CE.V4-107	Woodruff Key 5x5x20
108	SM35CE.V4-108	Worm Gear
109	SM35CE.V4-109	Transmission Shaft
110	MC4500.P5	External Circlip 14.5mm ID.
111	SM35CE.V4-111	Woodruff Key 5x5x20
112	SM35CE.V4-112	Bushing
114	SM35CE.V4-114	Bearing Bushing
116	SM35CE.V4-116	Bearing Cover
117	MSP48.S	Machine Screw Pan Head Phillips M4 X 8 mm
118	SM35CE-V5-118	Body Frame (Dark Grey)
120	SS840.S	Hex Head Set Screw M8 X 40 Zinc
121	SM35CE.V4-121	External Circlip 23.0mm ID.
122	SM35CE.V4-122	Blade Wheel (Rear)
122.1	SM35CEV4122-1	Active Saw Wheel
124	500ETJ.V2-11	Spring Pin M4.2 X 25
125	SM35CE.V4-125	Sliding Draw Block
126	SM35CE.V4-126	Blade Wheel Shaft (Front)
127	SM35CE.V4-127	Sliding Guide Plate
128	SM35CE.V4-128	Blade Tension Sliding Block

Item	Part No.	Description
129	SS840.S	Hex Head Set Screw M8 X 40 Zinc
131	SWM8.S	Spring Washer M8 Zinc
134	SM35CE.V4-134	Spring Dia 15mm
135	SM35CE.V4-135	Knob, Blade Adjust, Plastic, OD: 72mm L: 170mm, M10x70mm Threaded Male Fitting
136	SM35CE.V4-136	Bearing Bushing
137	SM35CE.V4-137	Internal Circlip 37.8mm OD.
138	B/620ZZ	Bearing 620zz
139	SM35CE.V4-139	Blade Wheel (Front)
139.1	SM35CEV4139-1	Bearing Cap
139.2	SM35CEV4139-2	Hd Screw
141	SM35CE.V4-141	Washer
142	SS815.S	Hex Head Set Screw M8 X 15 Zinc
146	SM35CE.V4-146	Nozzle Cock Support
146.1	SM35CEV4146-1	Joint
146.2	SM35CEV4146-2	Water Pipe Head
147	MSP66.S	Machine Screw Pan Head Phillips M6 x 6
148	SM35CE.V4-148	Knob, Adjustment, OD: 55mm, M10x36mm Threaded Male Fitting
149	SM35CE.V4-149	Adjustable Bracket (Rear)
150	SM35CE.V4-150	Hex Nut 3/8 Very Fine Thread
152	B/6000ZZ	Bearing 6000zz
153	SM35CE.V4-153	Blade Adjustable (Rear)
154	SM35CE.V4-154	Bearing Pin (9mm diameter)
156	SCB830.S	Socket Cap Bolt M8 x 30mm
157	SM35CE.V4-157	Deflector Plate
158	MSC614.S	CSk Phillips Machine Screw M6 X 14 Zinc
159	SM35CE.V4-159	Bearing Shaft
160	SM35CE.V4-160	Eccentric Shaft
161	B/629ZZ	Bearing 629zz
162	SM35CE.V4-162	External Circlip 8.3mm ID.
163	SM35CE.V4-163	Adjustable Bracket (Front)
164	SM35CE.V4-164	Blade Adjustable (Front)
165	SM35CE.V4-165	Blade Cover (Front)
166	MSP612.S	Machine Screw Pan Head Phillips M6 X 12mm
167	SCB830.SB	Socket Cap Bolt M8 x 30mm Black
168	MSP510.S	Machine Screw Pan Head Phillips M5 x10mm
169	SM35CE-V5-169	Blade Back Cover (Dark Grey)
170	SM35CE-V5-170	Wheel Cover (Dark Grey)
174	SM35CE.V4-174	Motor pulley cover assembly (inc SM35CE.v4-175)
177	MSP616.S	Machine Screw Pan Head Phillips M6 X 16mm

**NOTE:** It is our policy to continually improve products and as such we reserve the right to alter data, specifications and component parts without prior notice. There may be alternative versions of this product, please contact us should you require this information.

**IMPORTANT:** No liability is accepted for incorrect use of product. Spare parts must be fitted by a competent person

**WARRANTY:** Guarantee is 12 months from purchase date, proof of which will be required for any claim.

Sealey Group, Kempson Way, Suffolk Business Park, Bury St Edmunds, Suffolk. IP32 7AR



01284 757500



sales@sealey.co.uk



www.sealey.co.uk



Parts Information:  
**Bandsaw 300mm Horizontal Hydraulic  
Arm**  
**Model No: SM35CE.V5**

Item	Part No.	Description
178	SM35CE.V4-178	Key 5x5x40
180	SM35CE.V4-180	Motor Pulley
183	SM35CE.V5-183	Motor (External 230V 50Hz 750W)
186	SM35CE.V4-186	Motor Mount Plate
190	SM35CE.V4-190	Motor Mount Bracket
194	RW619.S	Repair Washer M6 X 19 Zinc
195	SM35CE.V4-195	Support Plate
196	SM35CE.V4-196	Washer 3/8"
198	SCB810.SB	Socket Cap Bolt M8 x 10mm Black
		<b>Please Choose Required Size</b>
140	SM35/B08	Bandsaw Blade 2362 x 19 x 0.81mm 8tpi
140	SM35/B14	Bandsaw Blade 2362 x 19 x 0.81mm 14tpi
140	SM35/B14-BIM	Bandsaw Blade Bi-metal 2362 x 19 x 0.81mm 14tpi
140	SM35/B18	Bandsaw Blade 2362 x 19 x 0.81mm 18tpi
140	SM35/B24	Bandsaw Blade 2362 x 19 x 0.81mm 24tpi

Item	Part No.	Description
140	SM35/B04	Bandsaw Blade 2362 x 19 x 0.81mm 4tpi Skip Tooth
		<b>Items Not Shown</b>
--	SM35CE.V4-105L	Gear Box Cover (Large)
--	SM35CE.V4-106L	Gear Box Gasket (Large)
--	SM35CE.V4-200	Button
--	SM35CE.V4-204	Hose r-ring (machine attachment)
--	SM35CE.V4-SB	Small Brush + Screw
--	SM35CE.V4-76A	Plastic Hose Clip
--	SM35CE.V4-BB	Bracket + Brush
--	SM35CE.V4-CC	Capacitor Cover

**NOTE:** It is our policy to continually improve products and as such we reserve the right to alter data, specifications and component parts without prior notice. There may be alternative versions of this product, please contact us should you require this information.

**IMPORTANT:** No liability is accepted for incorrect use of product. Spare parts must be fitted by a competent person

**WARRANTY:** Guarantee is 12 months from purchase date, proof of which will be required for any claim.

**Sealey Group**, Kempson Way, Suffolk Business Park, Bury St Edmunds, Suffolk. IP32 7AR



01284 757500



sales@sealey.co.uk



www.sealey.co.uk