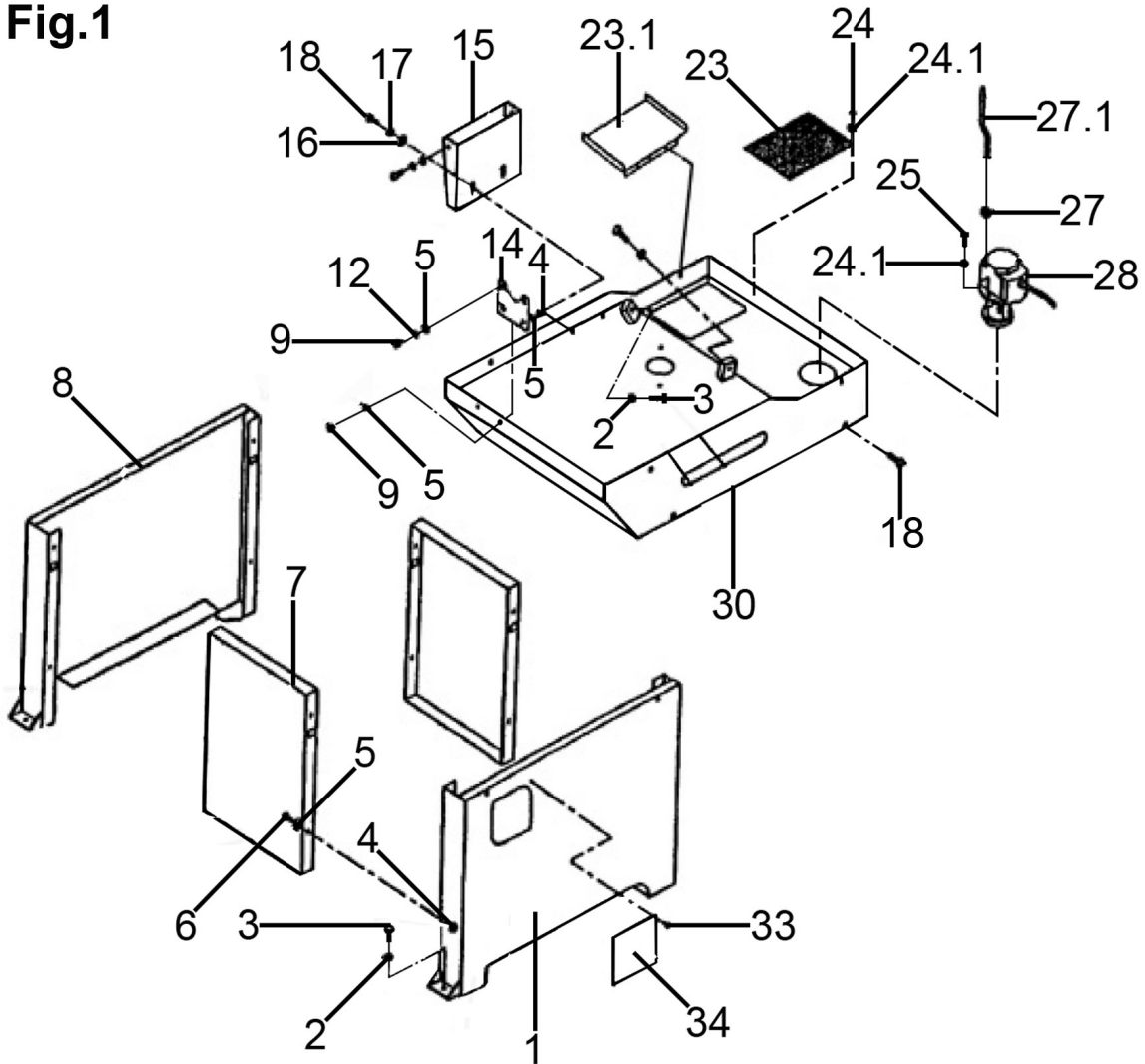


**Fig.1**



Item	Part No.	Description
1	SM355CE-V2-001	Base, Right Side (Dark Grey)
2	SN12.S	Steel Nut M12
3	SS1240.S	Hex Head Set Screw M12 x 40mm
4	SN8.S	Steel Nut M8
5	FWM8.S	Flat Washer M8
6	SS816.S	Hex Head Set Screw M8 x 16mm
7	SM355CE-V2-007	Base Plate (Dark Grey)
8	SM355CE-V2-008	Base, Left Side (Dark Grey)
9	SCB820.SB	Socket Cap Bolt M8 x 20mm Black
12	SWM8.S	Spring Washer M8
14	SM355CE.014	Support Plate
15	SM355CE.015	Roller Stand Bracket
16	FWM10.S	Flat Washer M10

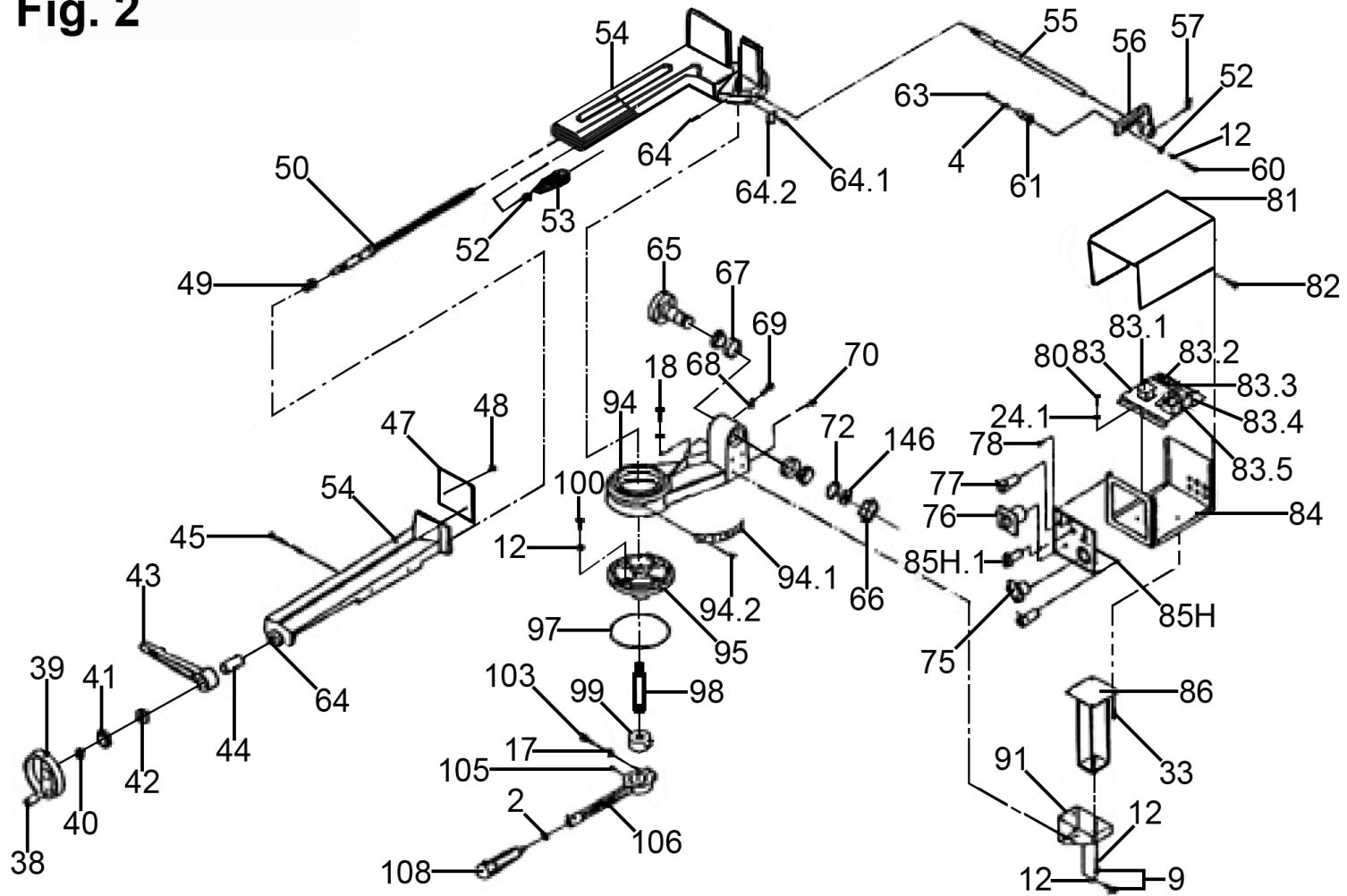
Item	Part No.	Description
17	SWM10.S	Spring Washer M10
18	SS1025.S	Hex Head Set Screw M10 x 25mm
23	SM354CE.033	Filter
23.1	SM355CE.023-1	Block Plate
24	SM355CE.024	Screw M5 x 10mm
24.1	FWM5.S	Flat Washer M5
25	SCB516.SB	Socket Cap Bolt M5 x 16mm Black
27	SM354CE.038	Hose Clamp
27.1	SM355CE.027-1	Hose 14mm x 18mm x 150mm
28	SM354CE.039	Pump
30	SM355CE.030	Coolant Tray
33	SCB510.SB	Socket Cap Bolt M5 x 10mm Black
34	SM355CE-V2-034	Base Front Plate (Dark Grey)

**NOTE:** It is our policy to continually improve products and as such we reserve the right to alter data, specifications and component parts without prior notice. There may be alternative versions of this product, please contact us should you require this information.

**IMPORTANT:** No liability is accepted for incorrect use of product. Spare parts must be fitted by a competent person

**WARRANTY:** Guarantee is 12 months from purchase date, proof of which will be required for any claim.

**Fig. 2**



**NOTE:** It is our policy to continually improve products and as such we reserve the right to alter data, specifications and component parts without prior notice.

There may be alternative versions of this product, please contact us should you require this information.

**IMPORTANT:** No liability is accepted for incorrect use of product. Spare parts must be fitted by a competent person

**WARRANTY:** Guarantee is 12 months from purchase date, proof of which will be required for any claim.



Parts Information:  
**Industrial Power Bandsaw 255mm**  
**Model No: SM355CE.V2**

Item	Part No.	Description
2	SN12.S	Steel Nut M12
4	SN8.S	Steel Nut M8
9	SCB820.SB	Socket Cap Bolt M8 x 20mm Black
12	SWM8.S	Spring Washer M8
17	SWM10.S	Spring Washer M10
18	SS1025.S	Hex Head Set Screw M10 x 25mm
24.1	FWM5.S	Flat Washer M5
33	SCB510.SB	Socket Cap Bolt M5 x 10mm Black
38	SM354CE.054	Hand Wheel 5-1/2"
39	GSM612.S	Grub Screw M6 x 12mm
40	SM355CE.040	Nut (c/w Grub Screw)
41	SM355CE.041	Bearing Bushing
42	B/51104	Bearing Race
43	SM354CE.059	Lock Handle
44	SM355CE.044	Bushing
45	SCB6100.SB	Socket Cap Bolt M6 x 100mm Black
47	SM355CE.047	Plate
48	SM355CE.048	Machine Screw M6 x 20mm
49	SM355CE.049	Compression Spring Dia 30.9mm
50	SM355CE.050	Lead Screw
52	RW825.S	Repair Washer M8 x 25mm
53	SCB810.SB	Socket Cap Bolt M8 x 10mm Black
54	SM355CE-V2-054	Vice (Dark Grey)
55	SM355CE.055	Stop-Bar Rod
56	SM355CE.056	Bracket
57	SM354CE.084	Screw 5/16" x 3/4"
60	SS825.S	Hex Head Set Screw M8 x 25mm
61	SM355CE.061	Rod
63	SS845.S	Hex Head Set Screw M8 x 45mm
64	GSM810.S	Grub Screw M8 x 10mm
64.1	SCB56.SB	Socket Cap Bolt M5 x 6mm Black
64.2	SM354CE.069	Scale Point
65	SM355CE.065	Pivot
66	SM354CE.072	Cover
67	B/32006	Bearing
68	SN10.S	Steel Nut M10

Item	Part No.	Description
69	SS1030.S	Hex Head Set Screw M10 x 30mm
70	SM355CE.070	Spring Hook
72	SM354CE.077	Star Washer M30
75	SM354CE.092-3	Emergency Switch, Press Button with Twist Release
76	SM354CE.092-1	Power Switch, Rotary On/Off
77	SM354CE.092-2	Power Indicator Light
78	SM354CE.091	Screw M5 x 10mm
80	MSP56.S	Machine Screw Pan Head Phillips M5 x 6mm
81	SM354CE.085	Cover
82	SM354CE.086	Hex Socket Cap Screw M5 x 8mm
83	SM354CE.089	Bottom Plate, Control Box
83.1	SM354CE.090-1	Transformer
83.2	SM354CE.090-2	Magnetic Connector
83.3	SM354CE.090-3	Fuse Seat
83.4	SM354CE.090-4	Overload Relay
83.5	SM354CE.090-5	Contact
84	SM354CE.094	Bottom, Control Box
85H	SM354CE.093-H	Panel, Control Box
85H.1	SM354CE.093H1	Manual/Auto Selector
86	SM354CE.095	Support
91	SM354CE.096	Bracket
94	SM355CE-V2-094	Swing Arm (Dark Grey)
94.1	SM354CE.080	Scale
94.2	SM355CE.094-2	Rivet
95	SM354CE.050	Disc
97	SM354CE.048	O-ring, (Ex: 165.40 In: 158.34 Cs: 3.53)
98	SM354CE.047	Shaft
99	SM354CE.046	Nut
100	SCB830.SB	Socket Cap Bolt M8 x 30mm Black
103	SCB1045.SB	Socket Cap Bolt M10 x 45mm Black
105	GSM1014.S	Grub Screw M10 x 14mm
106	SM355CE.106	Locking Lever
108	SM355CE.108	Handle
146	SM355CE.146	Special Nut M30
--	SM354CE.093H2	Start Button (Not Shown)

**NOTE:** It is our policy to continually improve products and as such we reserve the right to alter data, specifications and component parts without prior notice. There may be alternative versions of this product, please contact us should you require this information.

**IMPORTANT:** No liability is accepted for incorrect use of product. Spare parts must be fitted by a competent person

**WARRANTY:** Guarantee is 12 months from purchase date, proof of which will be required for any claim.

Sealey Group, Kempson Way, Suffolk Business Park, Bury St Edmunds, Suffolk. IP32 7AR



01284 757500

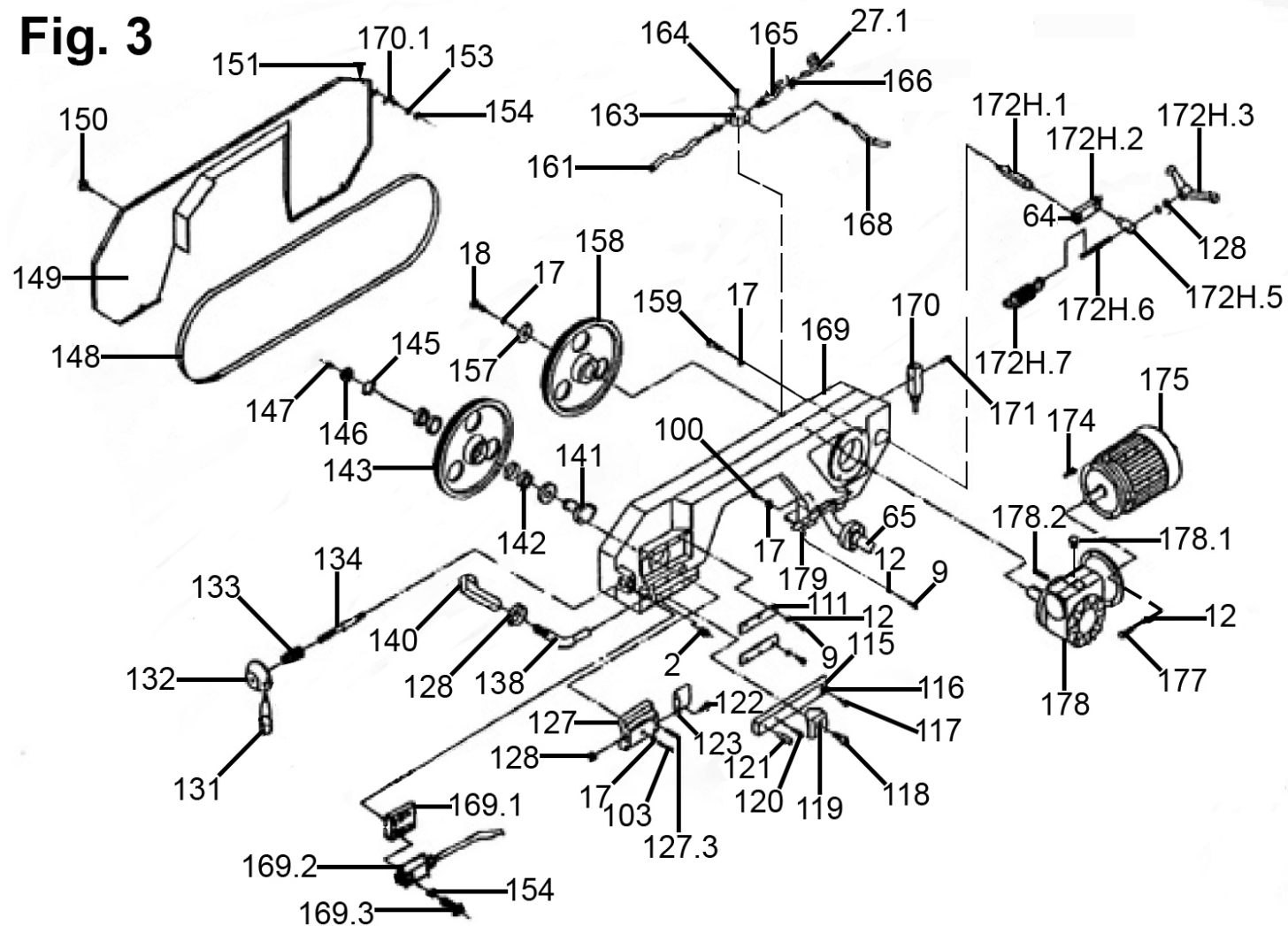


sales@sealey.co.uk



www.sealey.co.uk

**Fig. 3**



**NOTE:** It is our policy to continually improve products and as such we reserve the right to alter data, specifications and component parts without prior notice.

There may be alternative versions of this product, please contact us should you require this information.

**IMPORTANT:** No liability is accepted for incorrect use of product. Spare parts must be fitted by a competent person

**WARRANTY:** Guarantee is 12 months from purchase date, proof of which will be required for any claim.



Parts Information:  
**Industrial Power Bandsaw 255mm**  
**Model No: SM355CE.V2**

Item	Part No.	Description
2	SN12.S	Steel Nut M12
9	SCB820.SB	Socket Cap Bolt M8 x 20mm Black
12	SWM8.S	Spring Washer M8
17	SWM10.S	Spring Washer M10
18	SS1025.S	Hex Head Set Screw M10 x 25mm
27.1	SM355CE.027-1	Hose
64	GSM810.S	Grub Screw M8 x 10mm
65	SM355CE.065	Pivot
100	SCB830.SB	Socket Cap Bolt M8 x 30mm Black
103	SCB1045.SB	Socket Cap Bolt M10 x 45mm Black
111	SM355CE.111	Gib
115	SM355CE.115	Bearing Bracket, Front
116	SM355CE.116	Set Screw M6 x 12mm
117	SM355CE.117	Hex Socket Cap Screw M8 x 20mm
118	SM355CE.118	Hex Socket Cap Screw M12 x 50mm
119	SM355CE.119	Setting Bracket
120	SCB68.SB	Socket Cap Bolt M6 x 8mm Black
121	SM355CE.121	Handle
122	SCB612.SB	Socket Cap Bolt M6 x 12mm Black
123	SM355CE.123	Cover Plate
127	SM355CE.127A	Slide
127.3	GSM1030.S	Grub Screw M10 x 30mm Black
128	SN16.SB	Steel Nut M16 Black
131	SM354CE.124	Handle
132	SM354CE.125	Hand Wheel
133	SM354CE.126	Curved Washer
134	SM355CE.134	Tension Shaft
138	SM354CE.114	Rod
140	SM354CE.116	Trigger Switch (c/w Housing)
141	SM355CE.141A	Shaft
142	B/32006	Bearing
143	SM355CE.143	Idle Flywheel
145	SM355CE.145	Ext Tooth Washer M30 Black
146	SM355CE.146	Special Nut M30
147	SM355CE.147	Oil Inlet
149	SM355CE.149	Blade Cover
150	SM355CE.150	Knob, Plastic, OD: 24mm L: 22mm, M6x10mm Threaded Male Fitting
151	MSP48.S	Machine Screw Pan Head Phillips M4 x 8mm
153	FWM4.S	Flat Washer M4
154	SN4.S	Steel Nut M4

Item	Part No.	Description
157	RW1050.S	Repair Washer M10 x 50mm
158	SM355CE.158	Drive Flywheel
159	SCB1040.SB	Socket Cap Bolt M10 x 40mm
161	SM355CE.161	Hose (5/16"x100cm)
163	SM354CE.148A	Pipe Fitting Seat
164	SCB616.SB	Socket Cap Bolt M6 x 16mm Black
165	SM354CE.150	Coolant On/Off Tap
166	SM355CE.166	Hose Clamp
168	SM355CE.168	Hose (5/16"x40cm)
169	SM355CE.169	Arm
169.1	SM355CE.169-1	Plate
169.2	SM354CE021H13	Limit switch. 10A 250V
169.3	MSP430.S	Pan Head Machine Screw M4 x 30mm
170	SM355CE.170	Limit Switch 12A 250V
170.1	SM355CE.170-1	Switch Pin
171	SM355CE.171	Machine Screw M4 x 35mm
172H.1	SM355CE.172H1	Spring Shaft
172H.2	SM354CE.155H2	Setting Plate
172H.3	SM354CE.155H3	Handle
172H.5	SM354CE.155H5	Bushing
172H.6	SM354CE.155H6	Adjustable Shaft
172H.7	SM355CE.172H7	Spring Dia 50.3mm
174	SM355CE.174	Key Key (8x8x35)
175	SM355CE.175	Motor (External 1 phase 230v 50hz 1100w)
177	SS830.S	Hex Head Set Screw M8 x 30mm
178	SM355CE.178	Gearbox
178.1	SM355CE.178-1	Vent Screw
178.2	SM355CE.178-2	Key Key (8x8x35)
179	GSM612.S	Grub Screw M6 x 12mm
--	SM355CE.144	Dust Cover (Not Shown)
--	SM355CE.167	Pipe Fitting Pipe fitting 1/4p x 5/16 (Not Shown)
--	SCB1035.SB	Socket Cap Bolt M10 x 35mm Black (Not Shown)
--	SM355CE.178-3	Oil Sight Lens (Not Shown)
		<b>Please Choose Required Size</b>
148	SM355B03	Blade 2460 x 25 x 0.9mm 3tpi
148	SM355B06	Blade 2460 x 25 x 0.9mm 6tpi
148	SM355B14	Blade 2450 x 27 x 0.9mm 14tpi
148	SM355B18	Blade 2460 x 27 x 0.9mm 18tpi
148	SM355B24	Blade 2460 x 25 x 0.9mm 24tpi

**NOTE:** It is our policy to continually improve products and as such we reserve the right to alter data, specifications and component parts without prior notice. There may be alternative versions of this product, please contact us should you require this information.

**IMPORTANT:** No liability is accepted for incorrect use of product. Spare parts must be fitted by a competent person

**WARRANTY:** Guarantee is 12 months from purchase date, proof of which will be required for any claim.

Sealey Group, Kempson Way, Suffolk Business Park, Bury St Edmunds, Suffolk. IP32 7AR



01284 757500



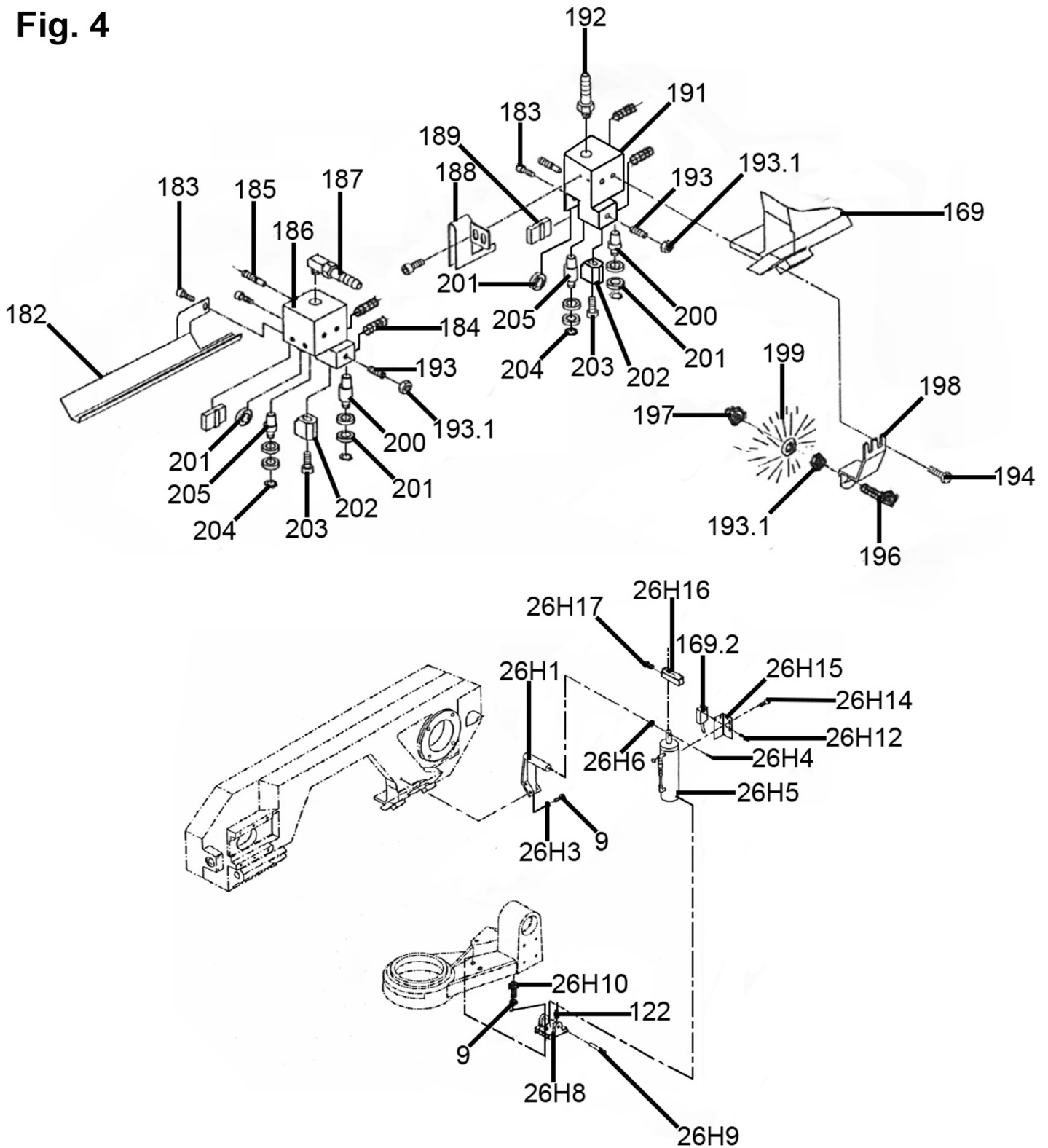
sales@sealey.co.uk



www.sealey.co.uk



**Fig. 4**



**NOTE:** It is our policy to continually improve products and as such we reserve the right to alter data, specifications and component parts without prior notice. There may be alternative versions of this product, please contact us should you require this information.

**IMPORTANT:** No liability is accepted for incorrect use of product. Spare parts must be fitted by a competent person

**WARRANTY:** Guarantee is 12 months from purchase date, proof of which will be required for any claim.



Parts Information:  
**Industrial Power Bandsaw 255mm**  
**Model No: SM355CE.V2**

Item	Part No.	Description
9	SCB820.SB	Socket Cap Bolt Black M8 x 20mm
122	SCB612.SB	Socket Cap Bolt Black M6 x 12mm
169	SM355CE.169	Arm
169.2	SM354CE021H13	Limit Switch
182	SM355CE.182	Blade Guard, Front
183	SCB68.SB	Socket Cap Bolt M6 x 8mm Black
184	SM355CE.184	Set Screw M6 x 6mm
185	SM355CE.185	Bolt M10 x 30mm
186	SM355CE.186	Bearing Seat, Front
187	SM355CE.187	Pipe Fitting 1/4p x 5/16
188	SM355CE.188	Blade Guard, Rear
189	SM355CE.189	Blade Guide (B)
191	SM355CE.191	Bearing Seat, Rear
192	SM355CE.192	Pipe Fitting 1/4p x 5/16
193	GSM614.S	Grub Screw M6 x 14mm
193.1	SN6.S	Steel Nut M6
194	SS612.S	Hex Head Set Screw M6 x 12mm
196	SS630.S	Hex Head Set Screw M6 x 30mm
197	NLN6.S	Nyloc Nut M6
198	SM355CE.198	Bracket

Item	Part No.	Description
199	SM355CE.199	Brush 1-1/2"
200	SM355CE.200	Eccentric Shaft
201	B/608ZZ	Bearing
202	SM355CE.202	Blade Guide (A)
203	SCB625.S	Socket Cap Bolt M6 x 25mm
204	SM355CE.204	E-Clip 7mm ID.
205	SM355CE.205	Centric Shaft
26H1	SM355CE.026H1	Support, Hydraulic Cylinder
26H3	SM354CE.021H3	Spring Washer M8
26H4	HHB1050.SB	Hex Head Bolt M10 x 50mm Black
26H5	SM354CE.021H5	Hydraulic Cylinder
26H6	SN10.S	Steel Nut M10
26H8	SM354CE.021H8	Bottom Support
26H9	SM354CE.021H9	Support Rod
26H10	SM354CE021H10	Spring Washer
26H12	SM354CE021H12	Hex Socket Cap Screw M4 x 25mm
26H14	MSP66.SB	Pan Head Machine Screw Black M6 x 6mm
26H15	SM354CE021H15	Adjusting Bracket
26H16	SM354CE021H16	Setting Bracket
26H17	GSM66.S	Grub Screw M6 x 6mm

**NOTE:** It is our policy to continually improve products and as such we reserve the right to alter data, specifications and component parts without prior notice. There may be alternative versions of this product, please contact us should you require this information.

**IMPORTANT:** No liability is accepted for incorrect use of product. Spare parts must be fitted by a competent person

**WARRANTY:** Guarantee is 12 months from purchase date, proof of which will be required for any claim.

Sealey Group, Kempson Way, Suffolk Business Park, Bury St Edmunds, Suffolk. IP32 7AR



01284 757500



sales@sealey.co.uk



www.sealey.co.uk