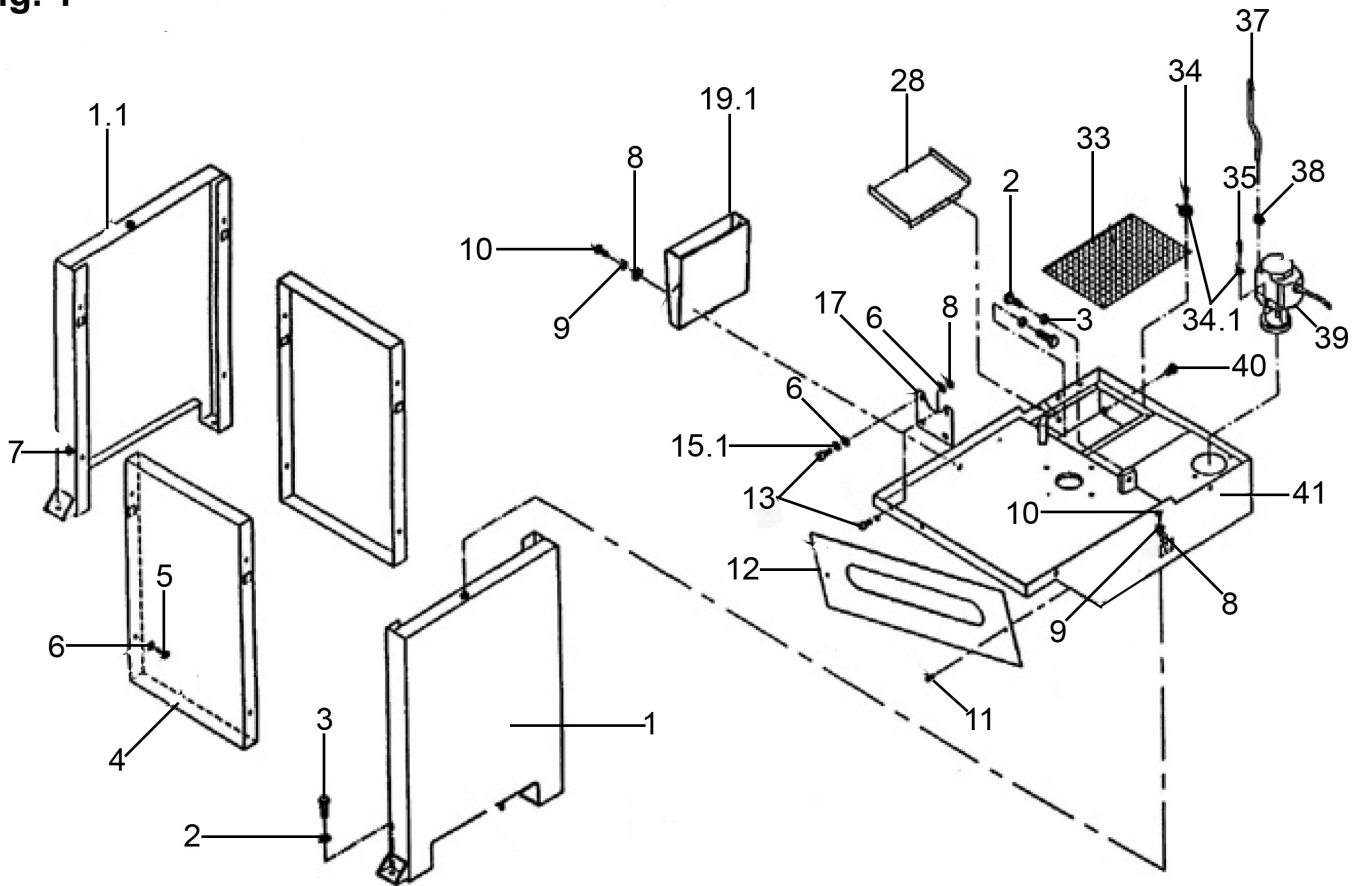


**Fig. 1**



| Item | Part No.         | Description                     |
|------|------------------|---------------------------------|
| 1    | SM354CE-V2-001   | Base, Right Side (Dark Grey)    |
| 1.1  | SM354CE-V2-001-1 | Base, Left Side (Dark Grey)     |
| 2    | SS1240.S         | Hex Head Set Screw M12 x 40mm   |
| 3    | SN12.S           | Steel Nut M12                   |
| 4    | SM354CE-V2-004   | Base Cover Plate (Dark Grey)    |
| 5    | SS816.S          | Hex Head Set Screw M8 x 16mm    |
| 6    | FWM8.S           | Flat Washer M8                  |
| 7    | SN8.S            | Steel Nut M8                    |
| 8    | FWM10.S          | Flat Washer M10                 |
| 9    | SWM10.S          | Spring Washer M10               |
| 10   | SS1025.S         | Hex Head Set Screw M10 x 25mm   |
| 11   | SCB68.SB         | Socket Cap Bolt M6 x 8mm Black  |
| 12   | SM354CE.012      | Plate                           |
| 13   | SCB820.SB        | Socket Cap Bolt M8 x 20mm Black |
| 15.1 | SWM8.S           | Spring Washer M8                |

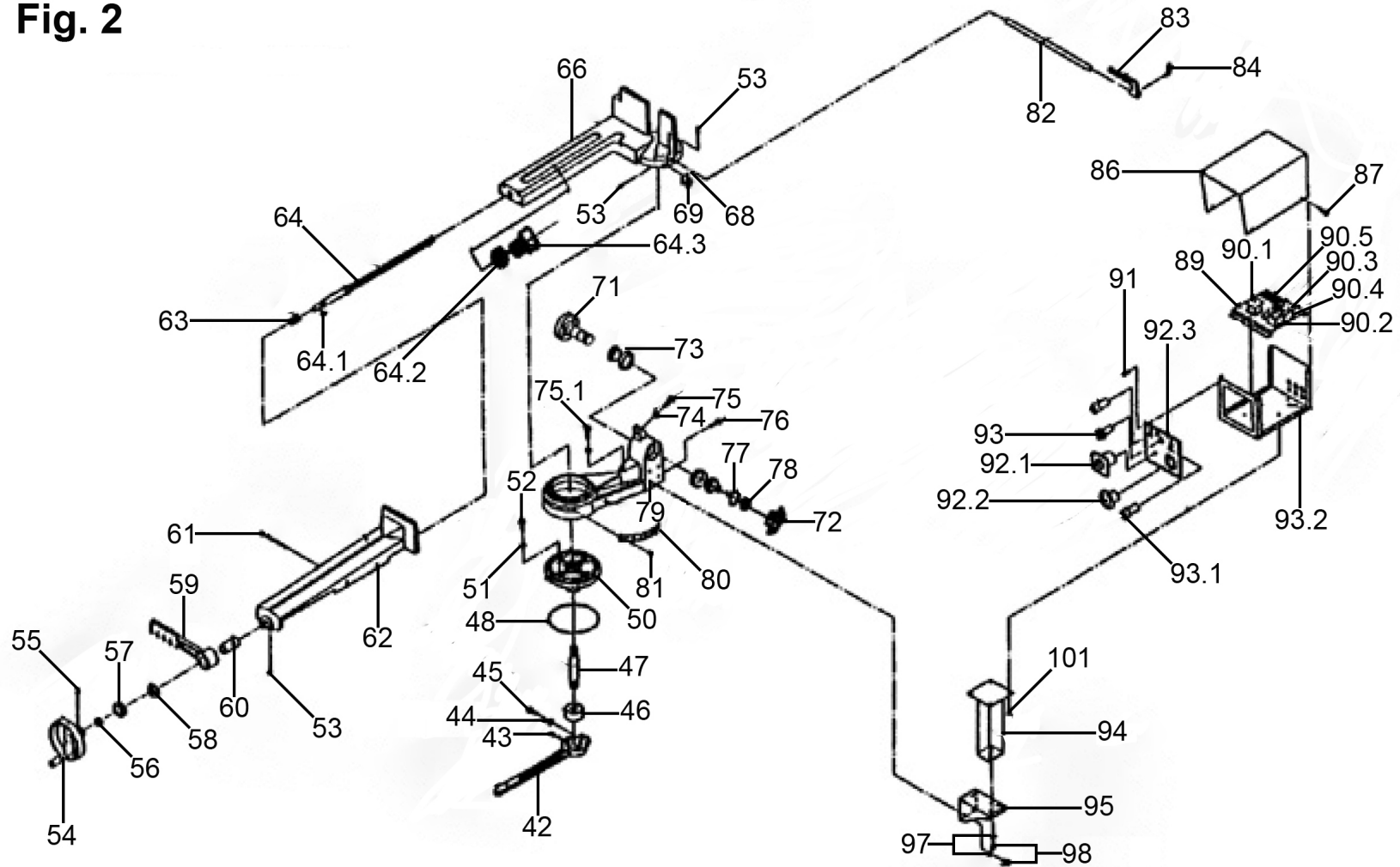
| Item | Part No.      | Description                                 |
|------|---------------|---|
| 17   | SM354CE.017   | Supporting Plate                            |
| 19.1 | SM354CE.019-1 | Support Plate                               |
| 28   | SM354CE.028   | Block Plate                                 |
| 33   | SM354CE.033   | Filter                                      |
| 34   | MSP56.S       | Machine Screw Pan Head Phillips M5 x 6mm    |
| 34.1 | FWM5.S        | Flat Washer M5                              |
| 35   | SCB525.SB     | Socket Cap Bolt M5 x 25mm Black             |
| 37   | SM354CE.037   | Hose 9mm x 11mm x 1440mm                    |
| 38   | SM354CE.038   | Hose Clamp                                  |
| 39   | SM354CE.039   | Pump  |
| 40   | SM354CE.040   | Plug M3/8"                                  |
| 41   | SM354CE.041   | Coolant Tray                                |
| --   | SCB612.SB     | Socket Cap Bolt M6 x 12mm Black (Not Shown) |
| --   | LS1050V.27    | Washer M6 (Not Shown)                       |
| --   | SN6.S         | Steel Nut M6 (Not Shown)                    |

**NOTE:** It is our policy to continually improve products and as such we reserve the right to alter data, specifications and component parts without prior notice. There may be alternative versions of this product, please contact us should you require this information.

**IMPORTANT:** No liability is accepted for incorrect use of product. Spare parts must be fitted by a competent person

**WARRANTY:** Guarantee is 12 months from purchase date, proof of which will be required for any claim.

**Fig. 2**



**NOTE:** It is our policy to continually improve products and as such we reserve the right to alter data, specifications and component parts without prior notice.

There may be alternative versions of this product, please contact us should you require this information.

**IMPORTANT:** No liability is accepted for incorrect use of product. Spare parts must be fitted by a competent person

**WARRANTY:** Guarantee is 12 months from purchase date, proof of which will be required for any claim.



Parts Information:  
**Industrial Power Bandsaw 210mm**  
**Model No: SM354CE.V2**

| Item | Part No.       | Description                              |
|------|----------------|--|
| 42   | SM354CE.042    | Locking Lever                            |
| 43   | GSM1014.S      | Grub Screw M10 x 14mm                    |
| 44   | SWM10.S        | Spring Washer M10                        |
| 45   | SCB1045.SB     | Socket Cap Bolt M10 x 45mm Black         |
| 46   | SM354CE.046    | Nut                                      |
| 47   | SM354CE.047    | Shaft                                    |
| 48   | SM354CE.048    | O-ring, (Ex: 165.40 In: 158.34 Cs: 3.53) |
| 50   | SM354CE-V2-050 | Disc (Dark Grey)                         |
| 51   | SWM8.S         | Spring Washer M8                         |
| 52   | SCB825.S       | Socket Cap Bolt M8 x 25mm                |
| 53   | GSM810.S       | Grub Screw M8 x 10mm                     |
| 54   | SM354CE.054    | Hand wheel 5-1/2"                        |
| 55   | GSM612.S       | Grub Screw M6 x 12mm                     |
| 56   | SM354CE.056    | Nut M20 (c/w Grub Screw)                 |
| 57   | SM354CE.057    | Bushing                                  |
| 58   | B/51104        | Bearing Race                             |
| 59   | SM354CE.059    | Lock Handle                              |
| 60   | SM354CE.060    | Bushing                                  |
| 61   | SCB610.SB      | Socket Cap Bolt M6 x 10mm Black          |
| 62   | SM354CE-V2-062 | Table + Vice (Dark Grey)                 |
| 63   | SM354CE.063    | Compressed Spring Dia 29.5mm             |
| 64   | SM354CE.064    | Lead Screw                               |
| 64.1 | SM354CE.064-1  | Woodruff Key (5x5x15)                    |
| 64.2 | RW825.S        | Repair Washer M8 x 25mm                  |
| 64.3 | SCB810.SB      | Socket Cap Bolt M8 x 10mm Black          |
| 66   | SM354CE-V2-066 | Vice (Dark Grey)                         |
| 68   | SCB56.SB       | Socket Cap Bolt M5 x 6mm Black           |
| 69   | SM354CE.069    | Scale Point                              |
| 71   | SM354CE.071    | Pivot                                    |
| 72   | SM354CE.072    | Cover                                    |
| 73   | B/32006        | Bearing                                  |
| 74   | SN10.S         | Steel Nut M10                            |
| 75   | SS1040.S       | Hex Head Set Screw M10 x 40mm            |
| 75.1 | SS1025.S       | Hex Head Set Screw M10 x 25mm            |

| Item | Part No.       | Description                                       |
|------|----------------|---|
| 76   | SM354CE.076    | Spring Pin  |
| 77   | SM354CE.077    | Star Washer M30                                   |
| 78   | SM355CE.146    | Special Nut M30                                   |
| 79   | SM354CE-V2-079 | Swing Arm (Dark Grey)                             |
| 80   | SM354CE.080    | Scale   |
| 81   | SM354CE.081    | Rivet   |
| 82   | SM354CE.082    | Rod, Stop-Bar                                     |
| 83   | SM354CE.083    | Rod   |
| 84   | SM354CE.084    | Screw 5/16" x 3/4"                                |
| 86   | SM354CE.086    | Hex Socket Cap Screw M5 x 8mm                     |
| 87   | MSP56.S        | Machine Screw Pan Head Phillips M5 x 6mm          |
| 89   | SM354CE.089    | Bottom Plate, Control Box                         |
| 90.1 | SM354CE.090-1  | Transformer                                       |
| 90.2 | SM354CE.090-2  | Magnetic Connector                                |
| 90.3 | SM354CE.090-3  | Fuse Seat   |
| 90.4 | SM354CE.090-4  | Overload Relay                                    |
| 90.5 | SM354CE.090-5  | Contact   |
| 91   | SM354CE.091    | Screw M5 x 10mm                                   |
| 92.1 | SM354CE092-1A  | Main Power Switch On/Off 21A 380V                 |
| 92.2 | SM354CE.092-2  | Power Indicator Light                             |
| 92.3 | SM354CE.092-3  | Emergency Switch, Press Button with Twist Release |
| 93   | SM354CE.093-H  | Control Box Panel                                 |
| 93.1 | SM354CE.093H1  | Manual/Auto Selector                              |
| 93.2 | SM354CE.093H2  | Start Button                                      |
| 94   | SM354CE.094    | Control Box, Bottom                               |
| 95   | SM354CE-V2-095 | Support (Dark Grey)                               |
| 97   | SWM8.S         | Spring Washer M8                                  |
| 98   | SCB820.SB      | Socket Cap Bolt M8 x 20mm Black                   |
| 101  | SCB510.SB      | Socket Cap Bolt M5 x 10mm Black                   |
| --   | SM354CE-V2-085 | Cover (Dark Grey) (Not Shown)                     |
| --   | SM354CE.092-1  | Main Switch, Rotary On/Off (Not Shown)            |
| --   | SM354CE-V2-096 | Bracket (Dark Grey) (Not Shown)                   |

**NOTE:** It is our policy to continually improve products and as such we reserve the right to alter data, specifications and component parts without prior notice. There may be alternative versions of this product, please contact us should you require this information.

**IMPORTANT:** No liability is accepted for incorrect use of product. Spare parts must be fitted by a competent person

**WARRANTY:** Guarantee is 12 months from purchase date, proof of which will be required for any claim.

Sealey Group, Kempson Way, Suffolk Business Park, Bury St Edmunds, Suffolk. IP32 7AR



01284 757500

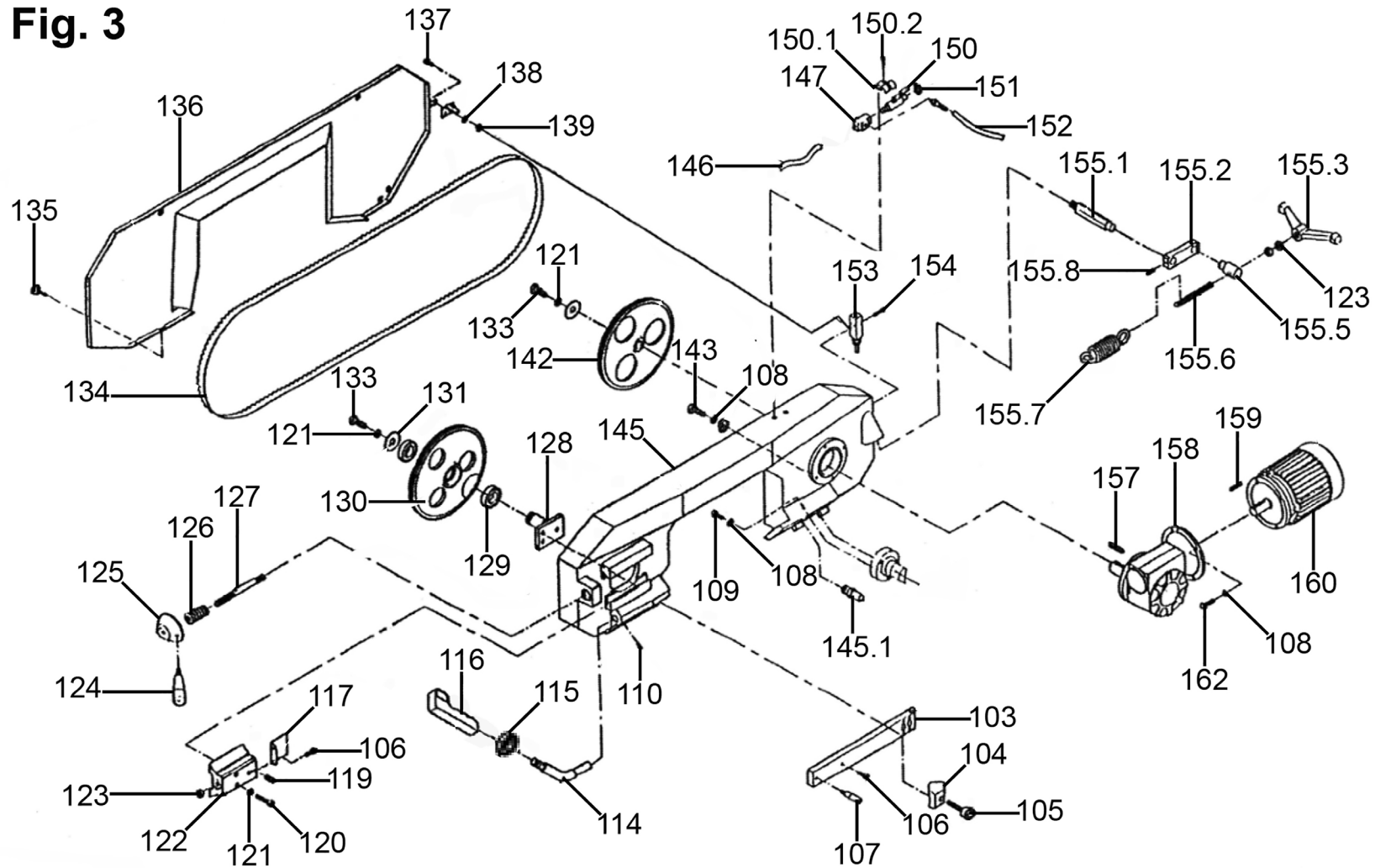


sales@sealey.co.uk



www.sealey.co.uk

**Fig. 3**



**NOTE:** It is our policy to continually improve products and as such we reserve the right to alter data, specifications and component parts without prior notice.

There may be alternative versions of this product, please contact us should you require this information.

**IMPORTANT:** No liability is accepted for incorrect use of product. Spare parts must be fitted by a competent person

**WARRANTY:** Guarantee is 12 months from purchase date, proof of which will be required for any claim.



Parts Information:  
**Industrial Power Bandsaw 210mm**  
**Model No: SM354CE.V2**

| Item | Part No.     | Description                              |
|------|--------------|--|
| 103  | SM354CE.103  | Bearing Bracket                          |
| 104  | SM354CE.104  | Bracket                                  |
| 105  | SCB1045.SB   | Socket Cap Bolt M10 x 45mm Black         |
| 106  | SCB68.SB     | Socket Cap Bolt M6 x 8mm Black           |
| 107  | SM354CE.107  | Plastic Handle M6                        |
| 108  | SWM8.S       | Spring Washer M8                         |
| 109  | SCB825.SB    | Socket Cap Bolt M8 x 25mm                |
| 110  | GSM820.S     | Grub Screw M8 x 20mm                     |
| 114  | SM354CE.114  | Rod                                      |
| 115  | TS10P.58     | Half Nut M16 Black                       |
| 116  | SM354CE.116  | Trigger Switch (c/w Housing)             |
| 117  | SM354CE.117  | Cover Plate                              |
| 119  | GSM1025.S    | Grub Screw M10 x 25mm                    |
| 120  | SCB1040.SB   | Socket Cap Bolt M10 x 40mm Black         |
| 121  | SWM10.S      | Spring Washer M10                        |
| 122  | SM354CE.122A | Slide                                    |
| 123  | SN16.SB      | Steel Nut M16 Black                      |
| 124  | SM354CE.124  | Handle                                   |
| 125  | SM354CE.125  | Handwheel                                |
| 126  | SM354CE.126  | Curved Washer                            |
| 127  | SM354CE.127  | Tension Shaft                            |
| 128  | SM354CE.128A | Shaft                                    |
| 129  | B/6006-2RS   | Bearing                                  |
| 130  | SM354CE.130  | Idle Flywheel                            |
| 131  | SM354CE.131  | Spacer                                   |
| 133  | SS1025.S     | Hex Head Set Screw M10 x 25mm            |
| 134  | SM354CE.134A | Blade                                    |
| 135  | SM355CE.150  | Knob                                     |
| 136  | SM354CE.136A | Blade Cover                              |
| 137  | MSP46.S      | Machine Screw Pan Head Phillips M4 x 6mm |
| 138  | FWM4.S       | Flat Washer M4                           |
| 139  | SN4.S        | Steel Nut M4                             |
| 142  | SM354CE.142  | Drive Flywheel                           |
| 143  | SCB835.SB    | Socket Cap Bolt M8 x 35mm Black          |
| 145  | SM354CE.145A | Saw Arm                                  |

| Item  | Part No.      | Description   |
|-------|---------------|---|
| 145.1 | SM354CE.145-1 | Set Shaft   |
| 146   | SM354CE.146   | Hose (5/16"x75cm)   |
| 147   | SM354CE.147   | Pipe Fitting 1/4p x 1/16  |
| 150   | SM354CE.150   | Coolant Tap (On/Off)  |
| 150.1 | SM354CE.150-1 | Brace   |
| 150.2 | MSP56.S       | Machine Screw Pan Head Phillips M5 x 6mm                                |
| 151   | SM354CE.151   | Hose Clamp  |
| 152   | SM354CE.152   | Hose 10mm x 13mm x 390mm  |
| 153   | SM355CE.170   | Limit swith 12A 250V  |
| 154   | MSP430.S      | Machine Screw Pan Head Phillips M4 x 30mm                               |
| 155.1 | SM354CE.155H1 | Spring Shaft  |
| 155.2 | SM354CE.155H2 | Setting Plate   |
| 155.3 | SM354CE.155H3 | Handle  |
| 155.5 | SM354CE.155H5 | Bushing   |
| 155.6 | SM354CE.155H6 | Adjustable Shaft  |
| 155.7 | SM354CE.155H7 | Spring Dia 0.6mm  |
| 155.8 | GSM810.S      | Grub Screw M8 x 10mm  |
| 157   | SM354CE.157   | Woodruff Key 7x7x25   |
| 158   | SM354CE.158   | Gearbox   |
| 159   | SM354CE.159   | Key (5x5x25)  |
| 160   | SM354CE.160   | Motor (External 230v 50hz 900w)   |
| 162   | SS825.S       | Hex Head Set Screw M8 x 25mm  |
| --    | RWB1040.S     | Repair Washer M10 x 40mm Black (Not Shown)                              |
| --    | FWM8.S        | Flat Washer M8 (Not Shown)  |
| --    | SM354CE.148A  | Pipe Fitting Seat (Not Shown)   |
| --    | SM354CE.153-1 | Switch Pin (Not Shown)  |
|       |               | <b>Please Choose Required Size</b>                                      |
| --    | SM354B06      | Bandsaw Blade 2100 x 20 x 0.8mm 6tpi (Not Shown)                        |
| --    | SM354B14      | Bandsaw Blade 2105 x 20 x 0.9mm 14tpi (Not Shown)                       |
| --    | SM354B18      | Bandsaw Blade 2105 x 20 x 0.9mm 18tpi (Not Shown)                       |
| --    | SM354B24      | Bandsaw Blade 2105 x 20 x 0.9mm 24tpi (Not Shown)                       |
| --    | SM354B610BIM  | Bandsaw Blade 2100 x 20 x 0.8mm 6/10tpi Vari-Pitch Bi-Metal (Not Shown) |

**NOTE:** It is our policy to continually improve products and as such we reserve the right to alter data, specifications and component parts without prior notice. There may be alternative versions of this product, please contact us should you require this information.

**IMPORTANT:** No liability is accepted for incorrect use of product. Spare parts must be fitted by a competent person

**WARRANTY:** Guarantee is 12 months from purchase date, proof of which will be required for any claim.

Sealey Group, Kempson Way, Suffolk Business Park, Bury St Edmunds, Suffolk. IP32 7AR



01284 757500

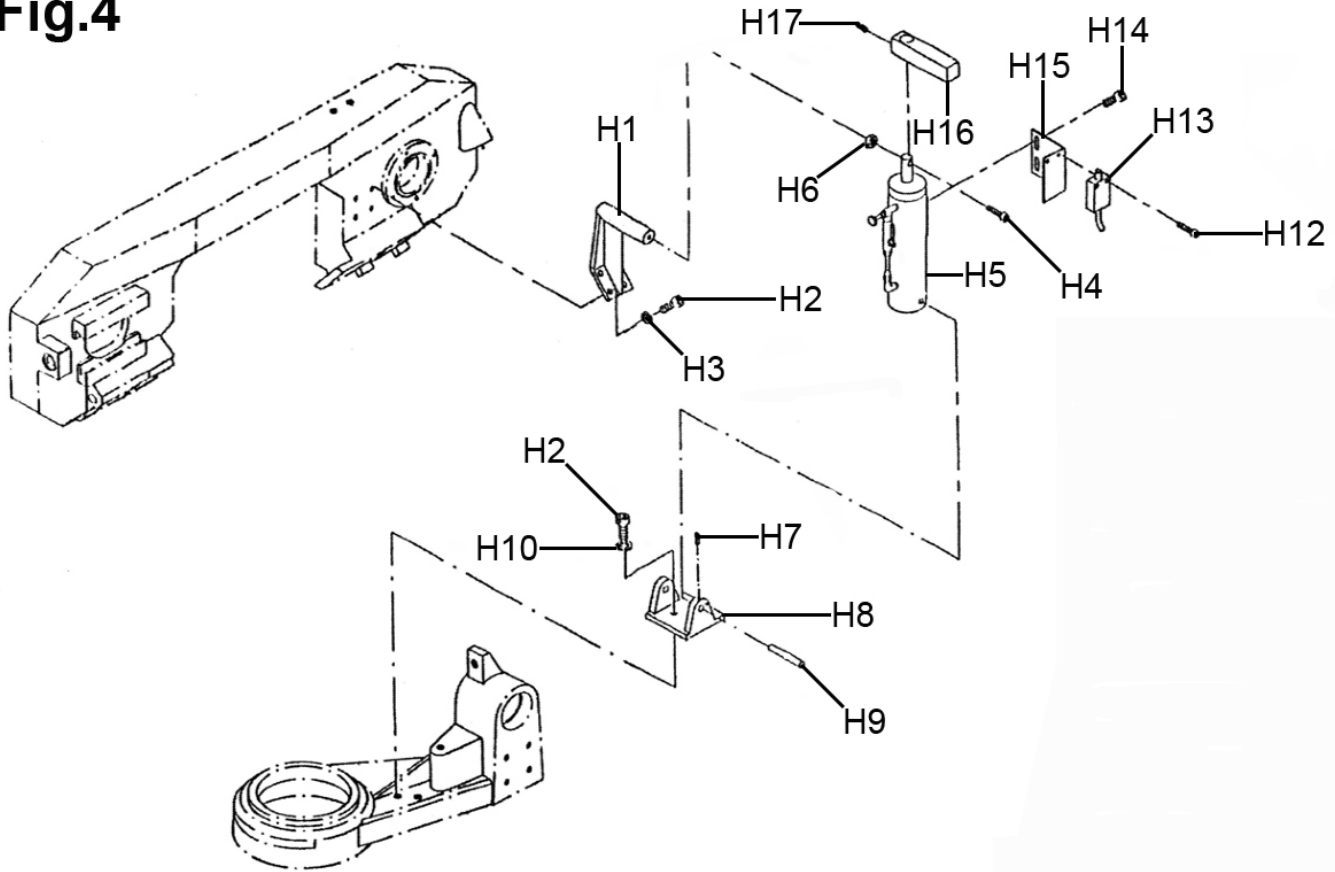


sales@sealey.co.uk



www.sealey.co.uk

**Fig.4**



| Item | Part No.      | Description                     |
|------|---------------|---------------------------------|
| H1   | SM354CE.021H1 | Top Support                     |
| H2   | SCB820.SB     | Socket Cap Bolt M8 x 20mm Black |
| H3   | SM354CE.021H3 | Spring Washer M8                |
| H4   | HHB1050.SB    | Hex Head Bolt M10 x 50mm Black  |
| H5   | SM354CE.021H5 | Hydraulic Cylinder              |
| H6   | SN10.S        | Steel Nut M10                   |
| H7   | SCB612.SB     | Socket Cap Bolt M6 x 12mm Black |
| H8   | SM354CE.021H8 | Bottom Support                  |
| H9   | SM354CE.021H9 | Support Rod                     |

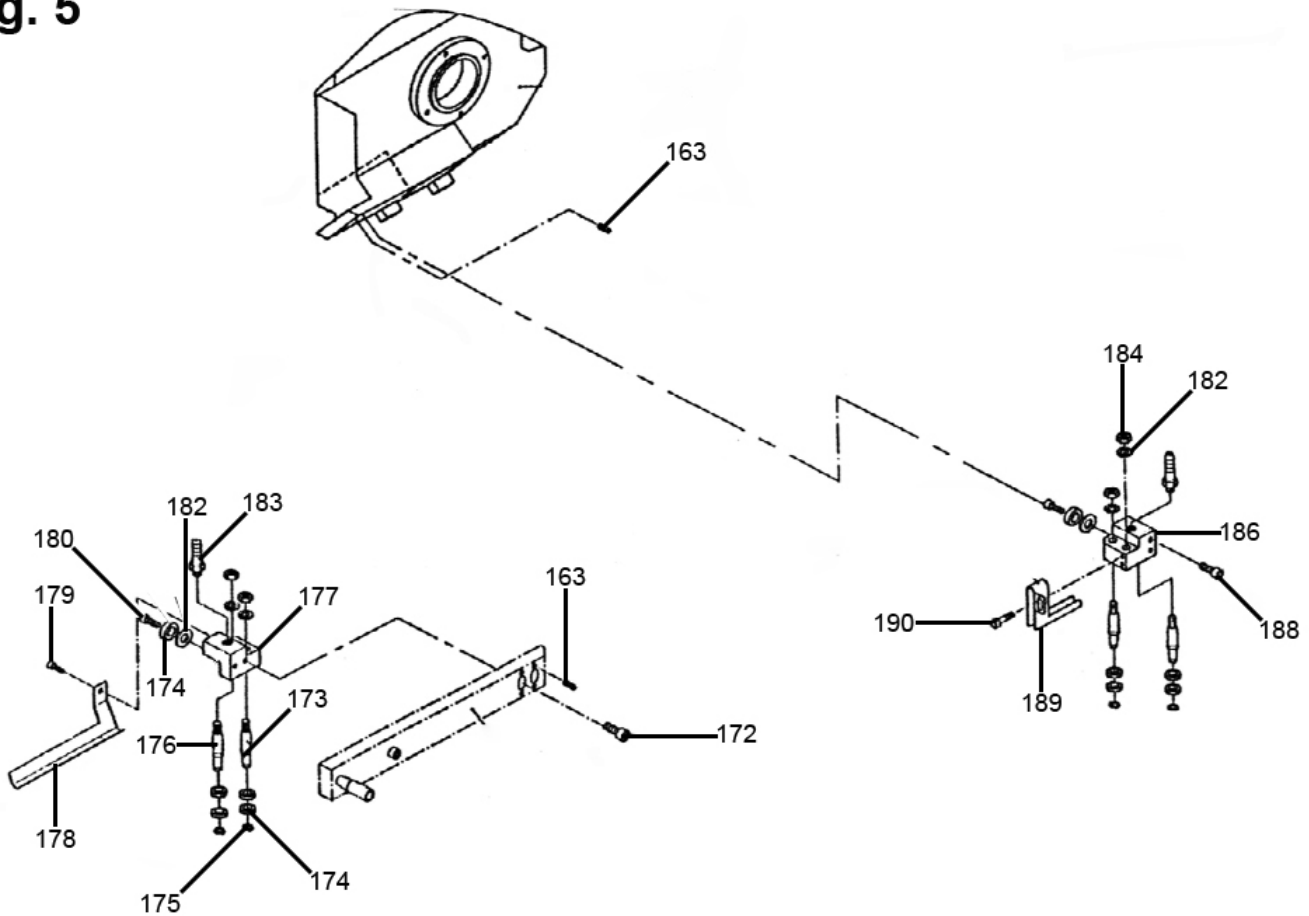
| Item | Part No.      | Description                              |
|------|---------------|--|
| H10  | SM354CE021H10 | Spring Washer                            |
| H12  | SM354CE021H12 | Hex Socket Cap Screw M4 x 25mm           |
| H13  | SM354CE021H13 | Limit Switch 10A 250V                    |
| H14  | MSP66.S       | Machine Screw Pan Head Phillips M6 x 6mm |
| H15  | SM354CE021H15 | Adjusting Bracket                        |
| H16  | SM354CE021H16 | Setting Bracket                          |
| H17  | GSM66.S       | Grub Screw M6 x 6mm                      |
| --   | SM354CE021H50 | Hydraulic Cylinder (pre 2012)            |

**NOTE:** It is our policy to continually improve products and as such we reserve the right to alter data, specifications and component parts without prior notice. There may be alternative versions of this product, please contact us should you require this information.

**IMPORTANT:** No liability is accepted for incorrect use of product. Spare parts must be fitted by a competent person

**WARRANTY:** Guarantee is 12 months from purchase date, proof of which will be required for any claim.

**Fig. 5**



| Item | Part No.    | Description                     |
|------|-------------|---------------------------------|
| 163  | GSM612.S    | Grub Screw M6 x 12mm            |
| 172  | SCB830.SB   | Socket Cap Bolt M8 x 30mm Black |
| 173  | SM354CE.173 | Centric Shaft                   |
| 174  | B/608ZZ     | Bearing                         |
| 175  | SM354CE.175 | E-Clip 5.8mm ID.                |
| 176  | SM354CE.176 | Eccentric Shaft                 |
| 177  | SM354CE.177 | Bearing Seat, Front             |
| 178  | SM354CE.178 | Blade Guard, Front              |
| 179  | SM354CE.179 | Hex Socket Cap Screw M6 x 8mm   |

| Item | Part No.    | Description                    |
|------|-------------|--------------------------------|
| 180  | SM354CE.180 | Hex Socket Cap Screw M8 x 20mm |
| 182  | SWM8.S      | Spring Washer M8               |
| 183  | SM354CE.183 | Pipe fitting (1/4"p x 5/16)    |
| 184  | SN8.S       | Steel Nut M8                   |
| 186  | SM354CE.186 | Bearing Seat, Rear             |
| 188  | SCB825.S    | Socket Cap Bolt M8 x 25mm      |
| 189  | SM354CE.189 | Blade Guard, Rear              |
| 190  | SCB68.SB    | Socket Cap Bolt M6 x 8mm Black |

**NOTE:** It is our policy to continually improve products and as such we reserve the right to alter data, specifications and component parts without prior notice. There may be alternative versions of this product, please contact us should you require this information.

**IMPORTANT:** No liability is accepted for incorrect use of product. Spare parts must be fitted by a competent person

**WARRANTY:** Guarantee is 12 months from purchase date, proof of which will be required for any claim.