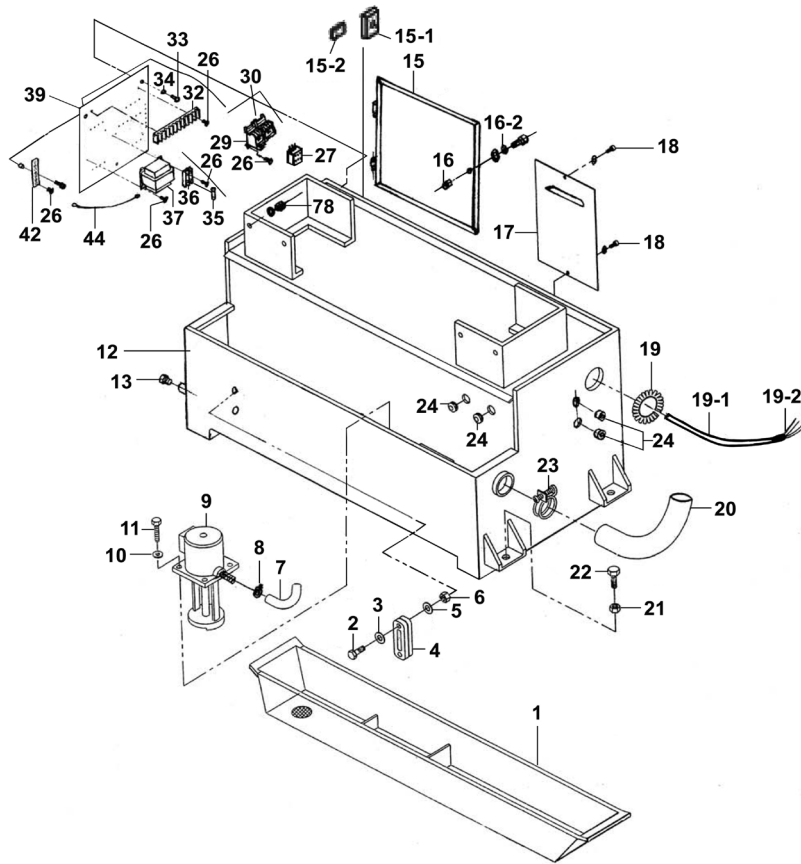




TM

Parts Information:  
**Bandsaw 400mm Horizontal Hydraulic  
 Arm**  
**Model No: SM353CE.V4**



Item	Part No.	Description	Qty
1	SM353CE-V4-01	Water Tray (Dark Grey)	1
2	SM353CE.V3-02	Cross Pan Screws M10 x 1.5 x 30mm	2
3	SM353CE.V3-03	Oil Seal	1
4	SM353CE.V3-04	Oil Window	1
5	SM353CE.V3-05	Oil Seal	1
6	SM353CE.V3-06	Hexagon Nut M10 x 1.5	2
7	SM353CE.V3-07	Water Hose 12 x 1.5M	1
8	SM353CE.V3-08	Hose Clamp 9 x 16mm	1
9	SM353CE.V3-09	Coolant Pump 25W	1
10	FWM5.S	Flat Washer M5	2
11	SCB525.SB	Socket Cap Bolt M5 x 25mm Black	2
12	SM353CE-V4-12	Base (Dark Grey)	1
13	SM353CE.V3-13	Oil Plug M16 x 1.5mm	1
15	SM353CE-V4-15	Door (Dark Grey)	1
15-1	SM353CE.V3-15-1	Switch	1
15-2	SM353CE.V3-15-2	Switch Plate	1
16	SN6.S	Steel Nut M6	2
16-2	SWM6.S	Spring Washer M6	2
17	SM353CE-V4-17	Cover Plate (Dark Grey)	1
18	SCB610.SB	Socket Cap Bolt M6 x 10mm Black	25

Item	Part No.	Description	Qty
19	SM353CE.V3-19	Strain Relief	1
19-1	SM353CE.V3-19-1	Tube	1
19-2	SM353CE.V3-19-2	Wire 0.75mm <sup>2</sup> x 2.2M	6
20	SM353CE.V3-20	Water Hose 20 x 0.6M	1
22	SM353CE.V3-22	Hex Bolt M12 x 65mm	4
23	SM353CE.V3-23	Hose Clamp 22mm	1
24	SM353CE.V3-24	Rubber Sleeve	4
25	SM353CE.V3-25	Power Line 2.5mm <sup>2</sup> x 2M	1
27	SM353CE.V3-27	Thermal Overload Relay	1
29	SM353CE.V3-29	24V Contactor	1
30	SM353CE.V3-30	24V Contactor	1
32	SM353CE.V3-32	Terminal Strip	1
35	SM353CE.V3-35	Protective Tube 2A	1
36	SM353CE.V3-36	Protective Tube Seat	2
37	SM353CE.V3-37	Transformer	1
39	SM353CE.V3-39	Circuit Board	1
42	SM353CE.V3-42	Earth Plate	1
44	SM353CE.V3-44	Ground Lead Wire 0.75mm <sup>2</sup> x 200mm	1
78	SM353CE.V3-78	Hexagon Nut M8	2

**NOTE:** It is our policy to continually improve products and as such we reserve the right to alter data, specifications and component parts without prior notice. There may be alternative versions of this product, please contact us should you require this information.

**IMPORTANT:** No liability is accepted for incorrect use of product. Spare parts must be fitted by a competent person

**WARRANTY:** Guarantee is 12 months from purchase date, proof of which will be required for any claim.

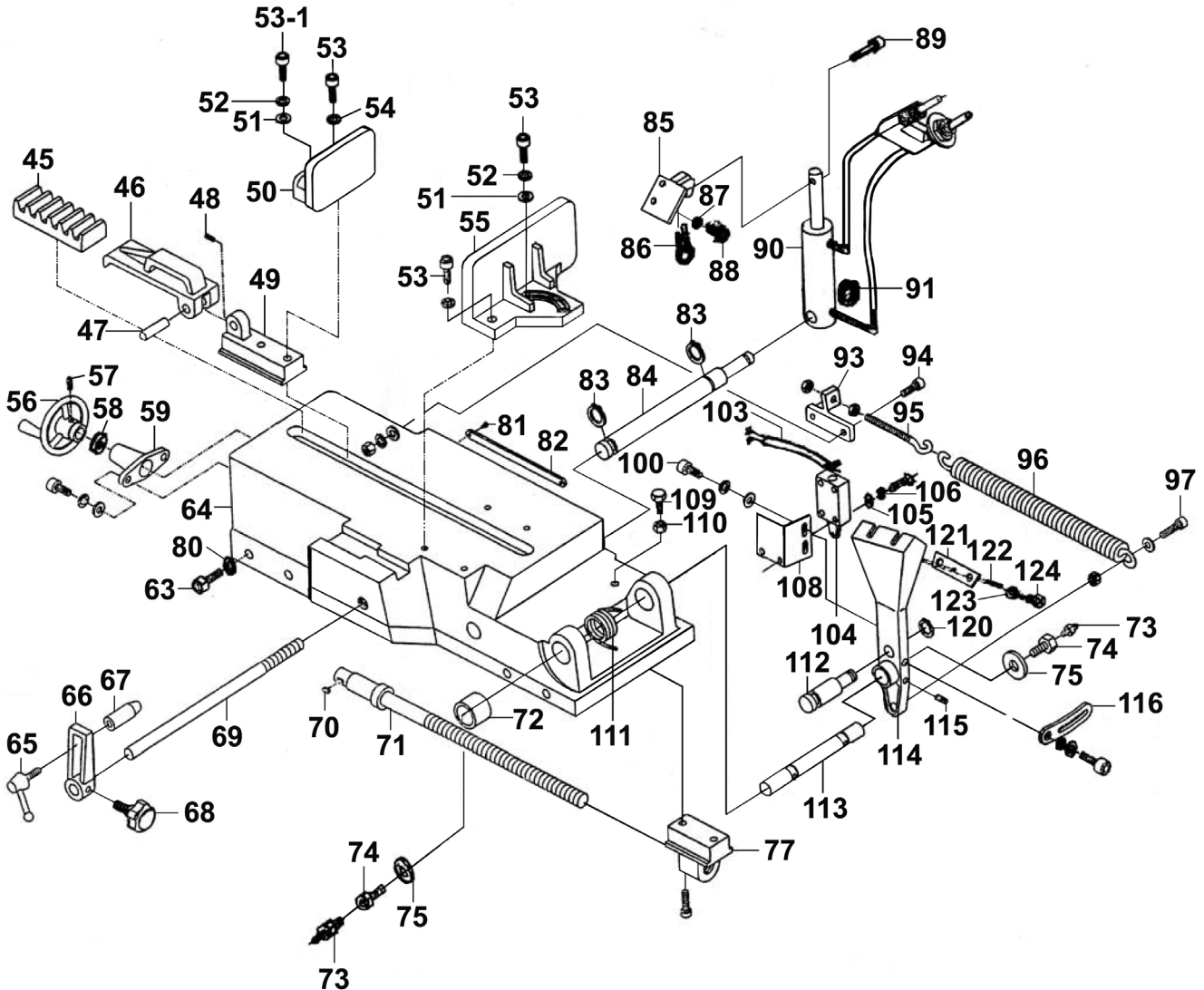
Jack Sealey Ltd t/a Sealey Group, Kempson Way, Suffolk Business Park, Bury St Edmunds, Suffolk, IP32 7AR UK

Jack Sealey (EU) Ltd t/a Sealey Group, Farney Street, Carrickmacross, Co. Monaghan, A81 PK68 Ireland

Tel: 01284 757500 · Email: sales@sealey.co.uk · Web: www.sealey.co.uk



Parts Information:  
**Bandsaw 400mm Horizontal Hydraulic  
 Arm**  
**Model No: SM353CE.V4**



Item	Part No.	Description	Qty
45	SM353CE.V3-45	Rack Plate	1
46	SM353CE.V3-46	Rack Block	1
47	SM353CE.V3-47	Rack Block Pin	1
48	GSM66.S	Grub screw M6 x 6mm	2
49	SM353CE.V3-49	Sliding Seat	1
50	SM353CE.V3-50	Vice Jaw - Left	1
53	SM353CE.V3-053	Socket Cap Bolt M12 x 50mm	1
53-1	SM353CE.V3-053-1	Socket Cap Bolt M12 x 45mm	1
55	SM353CE.V3-55	Vice Jaw - Right	1
56	SM353CE.V3-56	Hand Wheel	1
57	GSM610.S	Grub screw M6 x 10mm	1

Item	Part No.	Description	Qty
58	B/51103	Bearing Race 51103	1
59	SM353CE.V3-59	Lead Screw Seat	1
63	SS830.S	Hex Head Set Screw M8 x 30mm	8
64	SM353CE.V4-64	Workbench (Dark Grey)	1
65	SM353CE.V3-65	Lock Handle M12 x 45mm	1
66	SM353CE.V3-66	Work Stop Bracket	1
67	SM353CE.V3-67	Work Stop	1
68	SM353CE.V3-68	Lock Knob M10 x 30mm	1
69	SM353CE.V3-69	Work Stop Rod	1
70	SM353CE.V3-70	Flat Key 5 x 5 x 20mm	1

**NOTE:** It is our policy to continually improve products and as such we reserve the right to alter data, specifications and component parts without prior notice. There may be alternative versions of this product, please contact us should you require this information.

**IMPORTANT:** No liability is accepted for incorrect use of product. Spare parts must be fitted by a competent person

**WARRANTY:** Guarantee is 12 months from purchase date, proof of which will be required for any claim.

Jack Sealey Ltd t/a Sealey Group, Kempson Way, Suffolk Business Park, Bury St Edmunds, Suffolk, IP32 7AR UK

Jack Sealey (EU) Ltd t/a Sealey Group, Farney Street, Carrickmacross, Co. Monaghan, A81 PK68 Ireland

Tel: 01284 757500 · Email: sales@sealey.co.uk · Web: www.sealey.co.uk



TM

Parts Information:  
**Bandsaw 400mm Horizontal Hydraulic  
 Arm**  
**Model No: SM353CE.V4**

Item	Part No.	Description	Qty
71	SM353CE.V3-71	Lead Screw	1
72	SM353CE.V3-72	Spare Bush	1
73	SM353CE.V3-73	Grease Cup M6	1
74	SM353CE.V3-74	Bolt	2
75	SM353CE.V3-75	Plain Washer	2
77	SM353CE.V3-77	Lead Screw Bracket	1
81	SM353CE.V3-81	Rivet	2
82	SM353CE.V3-82	Angle Scale Plate	1
83	SM353CE.V3-83	Circlips For Shaft	2
84	SM353CE.V3-84	Oil Cylinder Bracket Shaft	1
85	SM353CE.V3-85	Hydraulic Mounting Plate - Top	1
86	SM353CE.V3-86	Cotter Pin 3 x 20mm	1
87	SWM10.S	Spring Washer M10	5
88	SCB1030.SB	Socket Cap Bolt M10 x 30mm Black	2
89	SM353CE.V3-89	Cylinder Pin - Top	1
90	SM353CE.V3-90	Hydraulic Cylinder	1
91	SM353CE.V3-91	Circlips For Shaft	1
93	SM353CE.V3-93	Tension Spring Seat	1
94	SCB825.SB	Socket Cap Bolt M8 x 25mm Black	7
95	SM353CE.V3-95	Tension Spring Hook	1
96	SM353CE.V3-96	Tension Spring	1

Item	Part No.	Description	Qty
97	SCB1240.S	Socket Cap Bolt M12 x 40mm	1
100	SM353CE.V3-100	Socket Cap Bolt M8 x 6mm	1
103	SM353CE.V3-103	Two Conductor 0.75mm <sup>2</sup> x 1.5M	1
104	SM353CE.V3-104	Safety Switch	1
105	FWM4.S	Flat Washer M4	2
106	SWM4.S	Spring Washer M4	2
108	SM353CE.V3-108	Switch Base	1
109	SS1045.S	Hex Head Set Screw M10 x 45mm	1
110	SN10.S	Steel Nut M10	2
111	SM353CE.V3-111	Torsion Spring	1
112	SM353CE.V3-112	Torsion Spring Shaft	1
113	SM353CE.V3-113	Pivot Shaft	1
114	SM353CE.V3-114	Pivot Support	1
115	SCB812.SB	Socket Cap Bolt M8 x 12mm Black	1
116	SM353CE.V3-116	Tilt Bracket	1
120	SM353CE.V3-120	Circlip For Shaft	1
121	SM353CE.V3-121	Pressing Plate	1
122	SM353CE.V3-122	Spring Pin	1
123	SWM12.S	Spring Washer M12	11
124	SM353CE.V3-124	Socket Cap Bolt M12 x 410mm	2

**NOTE:** It is our policy to continually improve products and as such we reserve the right to alter data, specifications and component parts without prior notice. There may be alternative versions of this product, please contact us should you require this information.

**IMPORTANT:** No liability is accepted for incorrect use of product. Spare parts must be fitted by a competent person

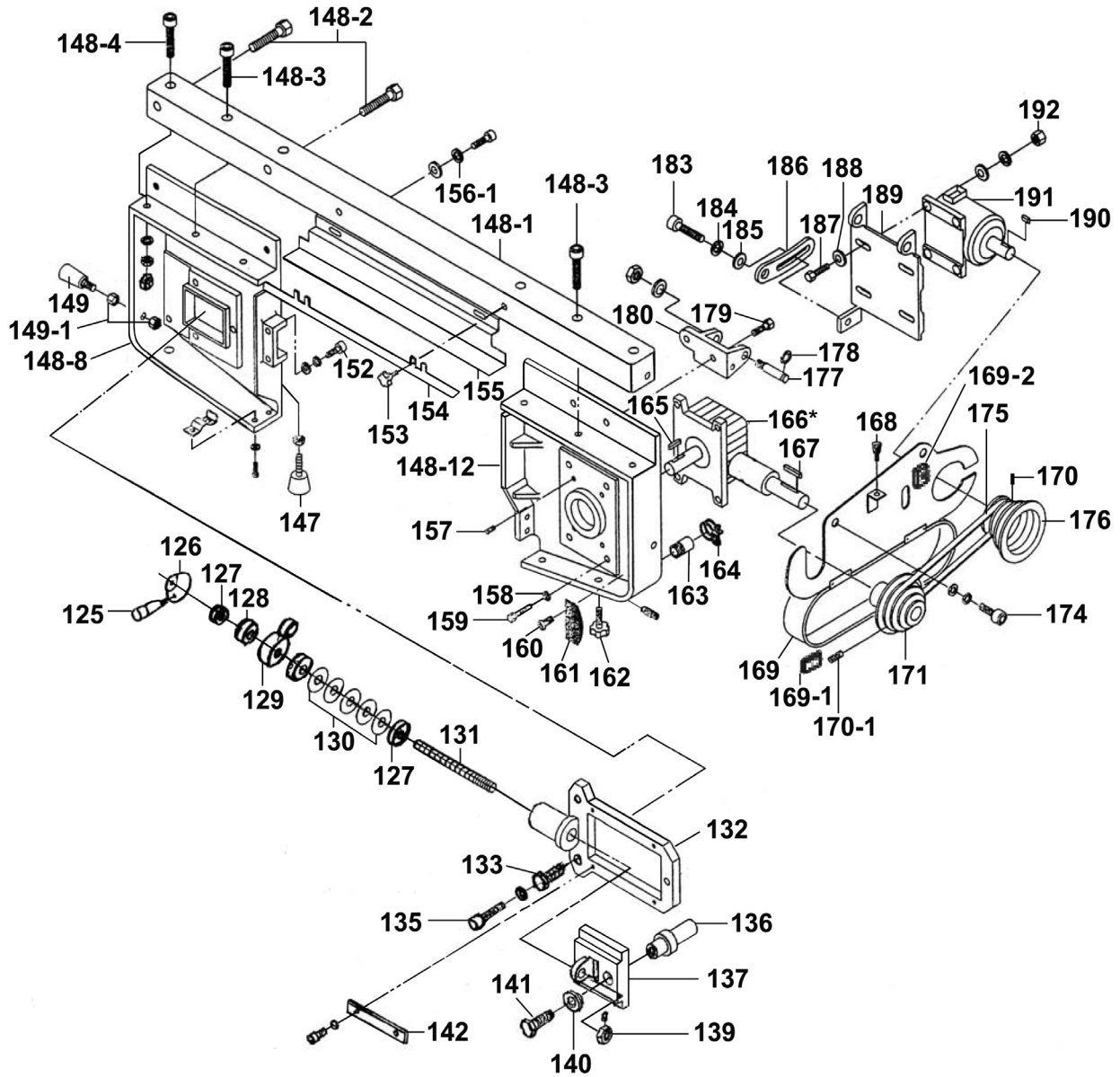
**WARRANTY:** Guarantee is 12 months from purchase date, proof of which will be required for any claim.

Jack Sealey Ltd t/a Sealey Group, Kempson Way, Suffolk Business Park, Bury St Edmunds, Suffolk, IP32 7AR UK

Jack Sealey (EU) Ltd t/a Sealey Group, Farney Street, Carrickmacross, Co. Monaghan, A81 PK68 Ireland

Tel: 01284 757500 · Email: sales@sealey.co.uk · Web: www.sealey.co.uk

Parts Information:  
**Bandsaw 400mm Horizontal Hydraulic  
 Arm**  
**Model No: SM353CE.V4**



Item	Part No.	Description	Qty
125	SM353CE.V3-125	Handle	2
126	SM353CE.V3-126	Handwheel	1
127	SM353CE.V3-127	Cover	1
128	B/51104	Bearing Race 51104	1
129	SM353CE.V3-129	Pressure Gauge	1
130	SM353CE.V3-130	Elastic Saddle Shaped Washer	22
131	SM353CE.V3-131	Adjustment Lever	1
132	SM353CE.V3-132	Adjustable Slide	1

Item	Part No.	Description	Qty
133	SM353CE.V3-133	Adjustable Bolt	3
135	SM353CE.V3-135	Hex Socket Head Cap Screw M10 x 60mm	3
136	SM353CE.V3-136	Idle Wheel Shaft	1
137	SM353CE.V3-137	Slide Shoe	1
139	SM353CE.V3-139	Hexagon Nut	1
140	SM353CE.V3-140	Washer	1

**NOTE:** It is our policy to continually improve products and as such we reserve the right to alter data, specifications and component parts without prior notice. There may be alternative versions of this product, please contact us should you require this information.

**IMPORTANT:** No liability is accepted for incorrect use of product. Spare parts must be fitted by a competent person

**WARRANTY:** Guarantee is 12 months from purchase date, proof of which will be required for any claim.



TM

Parts Information:  
**Bandsaw 400mm Horizontal Hydraulic  
 Arm**  
**Model No: SM353CE.V4**

Item	Part No.	Description	Qty
141	SS1025.S	Hex Head Set Screw M10 x 25mm	1
142	SM353CE.V3-142	Guide Plate	2
147	SM353CE.V3-147	Foot Support	1
148	SM353CE-V4-148	Saw Arm (Dark Grey)	1
148-1	SM353CE-V4-148-1	Articulated Beam (Dark Grey)	1
148-2	SS1020.S	Hex Head Set Screw M10 x 20mm	2
148-3	SCB1220.SB	Socket Cap Bolt M12 x 20mm Black	2
148-4	SCB1230.SB	Socket Cap Bolt M12 x 30mm Black	1
148-8	SM353CE-V4-148-8	Wheel Box, Left (Dark Grey)	1
148-9	SM353CE.V3-148-9	Lock Plate	1
148-12	SM353CE-V4-148-12	Slave Saw Wheel Box (Dark Grey)	1
149	SM353CE.V3-149	Handle M12 x 25mm	1
149-1	SN12.S	Steel Nut M12	11
152	SM353CE.V3-152	Socket Cap Bolt M12 x 35mm	1
153	SM353CE.V3-153	Lock Handle M6 x 10mm	2
154	SM353CE.V3-154	Blade Guard	1
155	SM353CE.V3-155	Blade Guard - Down	1
156-1	FWM6.SB	Flat Washer M6 Black	6
157	GSM1012.S	Grub Screw M10 x 12mm	5
158	FWM12.SB	Flat Washer M12 Black	4
159	SCB1235.S	Socket Cap Bolt M12 x 35mm	4
160	MSP56.S	Machine Screw Pan Head Phillips M5 x 6mm	2
161	SM353CE.V3-161	Strainer	1
162	SM353CE.V3-162	Lock Screw M6 x 10mm	4
163	SM353CE.V3-163	Connector	1
164	SM353CE.V3-164	Hose Clamp	1
165	SM353CE.V3-165	Flat Key 8 x 8 x 40mm	1

Item	Part No.	Description	Qty
166*	SM353CE.V3-166	Worm Gear Assembly - <b>See Separate Diagram</b>	1
167	SM353CE.V3-167	Flat Key 6 x 6 x 60mm	1
168	SM353CE.V3-168	Lock Screw M6 x 20mm	1
169	SM353CE-V4-169	Pulley Cover (Dark Grey)	1
169-1	SM353CE.V3-169-1	Switch Plate	1
169-2	SM353CE.V3-169-2	Switch	1
170	GSM812.S	Grub Screw M8 x 12mm	2
170-1	GSM612.S	Grub Screw M6 x 12mm	2
171	SM353CE.V3-171	Belt Pulley	1
174	SCB816.SB	Socket Cap Bolt M8 x 16mm Black	2
175	SM353CE.V3-175	V-Belt	1
176	SM353CE.V3-176	Motor Pulley	1
177	SM353CE.V3-177	Support Shaft	1
178	SM353CE.V3-178	Circlips For Support Shaft	1
179	SS1230.S	Hex Head Set Screw M12 X 30mm	2
180	SM353CE.V3-180	Supporting Seat	1
183	SCB830.SB	Socket Cap Bolt M8 x 30mm Black	6
184	FWM8.SB	Flat Washer M8 Black	8
185	SWM8.SB	Spring Washer M8 Black	4
186	SM353CE.V3-186	Stand	1
187	SS845.S	Hex Head Set Screw M8 x 45mm	4
189	SM353CE.V3-189	Motor Mount Plate	1
190	SM353CE.V3-190	Flat Key 6 x 6 x 35mm	1
191	SM353CE.V3-191	Motor	1
192	SN8.S	Steel Nut M8	5
193	SWM8.S	Spring Washer M8	28
194	FWM8.S	Flat Washer M8	19

**NOTE:** It is our policy to continually improve products and as such we reserve the right to alter data, specifications and component parts without prior notice. There may be alternative versions of this product, please contact us should you require this information.

**IMPORTANT:** No liability is accepted for incorrect use of product. Spare parts must be fitted by a competent person

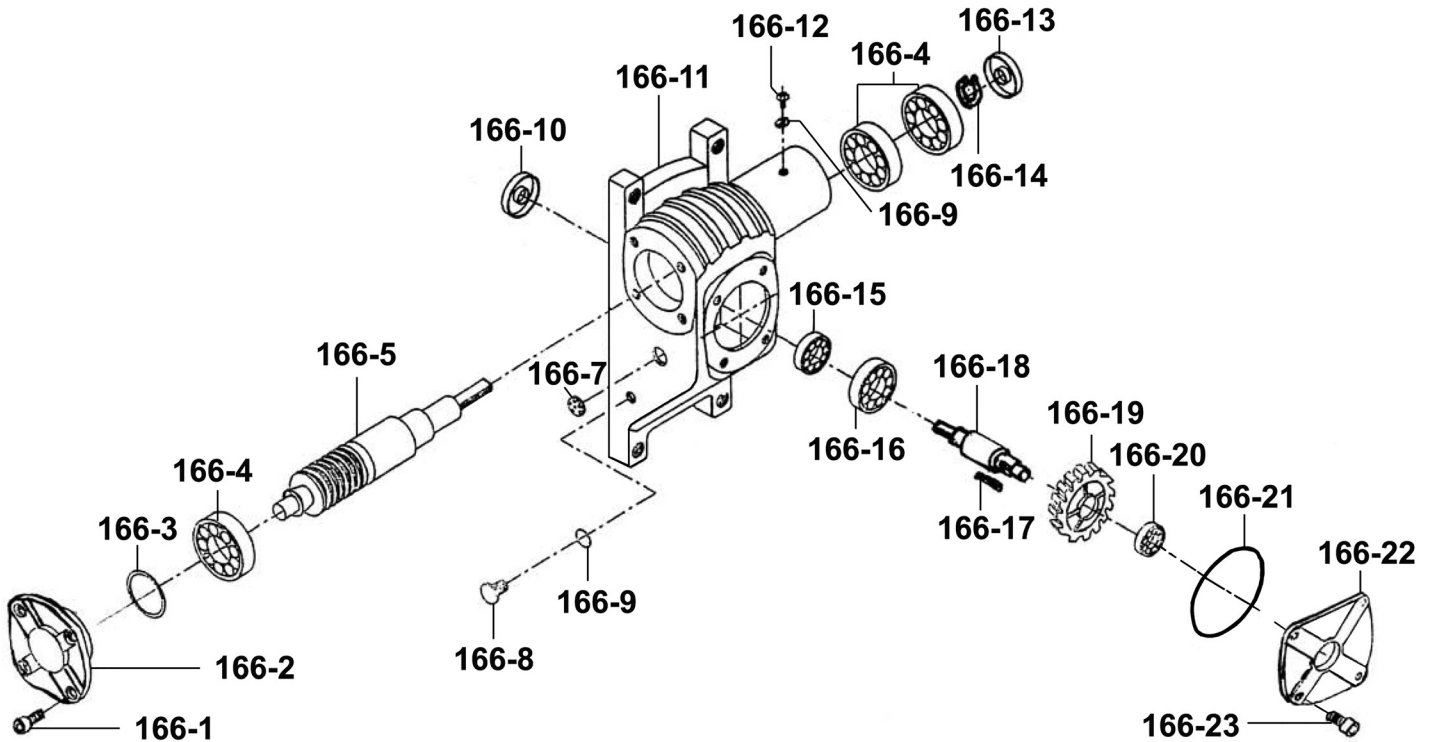
**WARRANTY:** Guarantee is 12 months from purchase date, proof of which will be required for any claim.

Jack Sealey Ltd t/a Sealey Group, Kempson Way, Suffolk Business Park, Bury St Edmunds, Suffolk, IP32 7AR UK

Jack Sealey (EU) Ltd t/a Sealey Group, Farney Street, Carrickmacross, Co. Monaghan, A81 PK68 Ireland

Tel: 01284 757500 · Email: sales@sealey.co.uk · Web: www.sealey.co.uk

Parts Information:  
**Bandsaw 400mm Horizontal Hydraulic  
 Arm**  
**Model No: SM353CE.V4**



Item	Part No.	Description	Qty
166-1	SCB820.SB	Socket Cap Bolt M8 x 20mm Black	5
166-2	SM353CE.V3-166-2	Gland	1
166-3	SM353CE.V3-166-3	Oil Seal 52 x 3.1mm	1
166-4	B/6205	Bearing 6205	6
166-5	SM353CE.V3-166-5	Worm Shaft	1
166-7	SM353CE.V3-166-7	Oil Window M16 x 1.5mm	1
166-8	SM353CE.V3-166-8	Oil Window M12 x 1.25mm	1
166-9	SM353CE.V3-166-9	Copper Washer 12	2
166-10	SM353CE.V3-166-10	Framework Oil Seal 55 x 35 x 12mm	1
166-11	SM353CE.V3-166-11	Worm Gear Casing	1
166-12	SM353CE.V3-166-12	Air Oil Plug M12 x 1.25mm	1

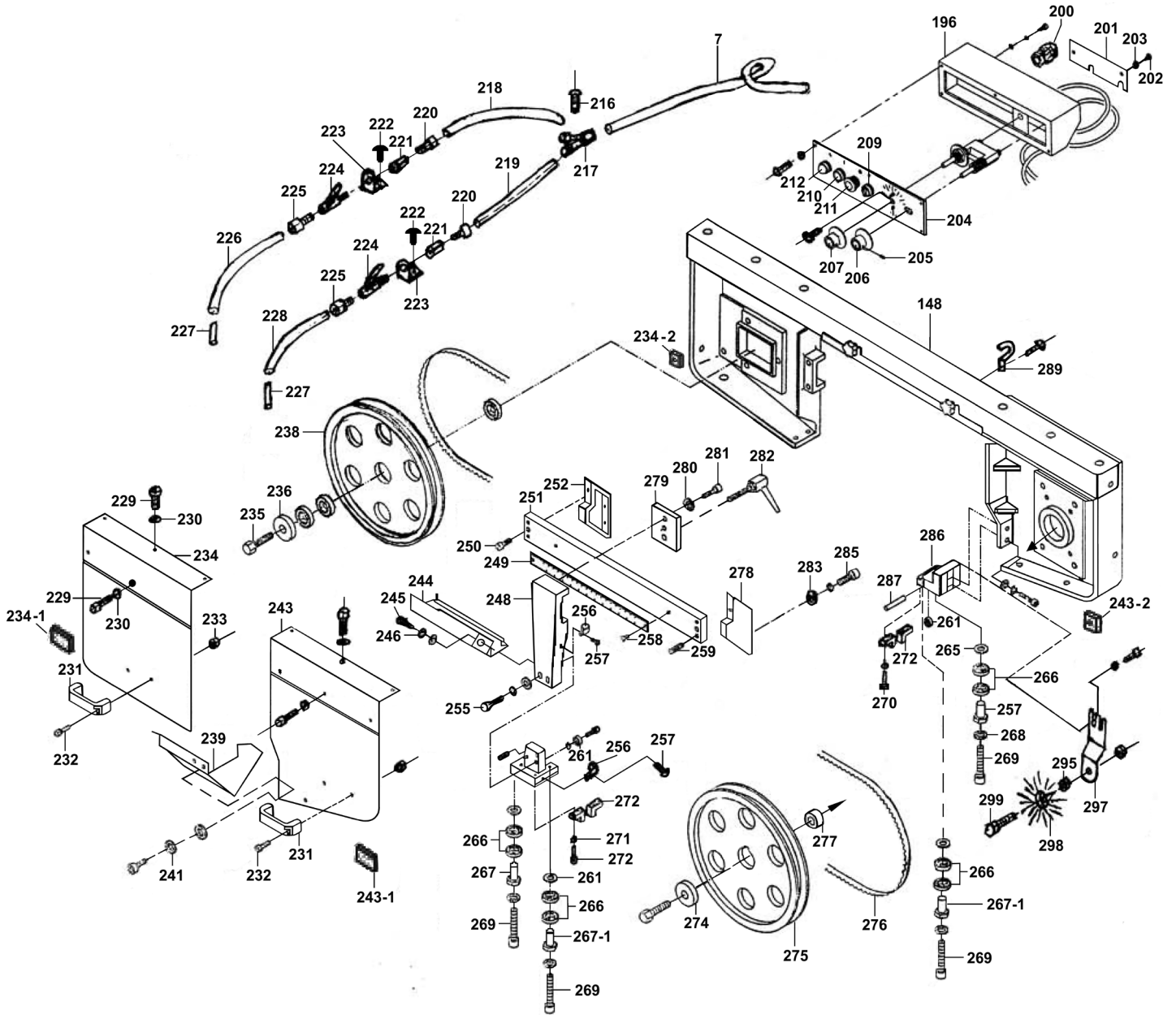
Item	Part No.	Description	Qty
166-13	SM353CE.V3-166-13	Framework Oil Seal 52 x 25 x 8mm	1
166-14	SM353CE.V3-166-14	Circlip	1
166-15	SM353CE.V3-166-15	Conical Roller Bearing 30207	1
166-16	B/6207	Bearing 6207	1
166-17	SM353CE.V3-166-17	Flat Key 8 x 8 x 35mm	1
166-18	SM353CE.V3-166-18	Worm Wheel Shaft	1
166-19	SM353CE.V3-166-19	Copper Worm	1
166-20	B/6206	Bearing 6206	1
166-21	SM353CE.V3-166-21	Oil Seal 117 x 3mm	1
166-22	SM353CE.V3-166-22	Worm Gear Box Cover	1
166-23	SCB1020.S	Socket Cap Bolt M10 x 20mm	4

**NOTE:** It is our policy to continually improve products and as such we reserve the right to alter data, specifications and component parts without prior notice. There may be alternative versions of this product, please contact us should you require this information.

**IMPORTANT:** No liability is accepted for incorrect use of product. Spare parts must be fitted by a competent person

**WARRANTY:** Guarantee is 12 months from purchase date, proof of which will be required for any claim.

Parts Information:  
**Bandsaw 400mm Horizontal Hydraulic  
 Arm**  
**Model No: SM353CE.V4**



Item	Part No.	Description	Qty
7	SM353CE.V3-07	Water Hose 12 x 1.5M	1
196	SM353CE.V3-196	Switch Box	1
200	SM353CE.V3-200	Corrugated Hose	1
201	SM353CE.V3-201	Switch Box Cover	1
202	MSP58.SB	Machine Screw Pan Head Phillips M5 x 8mm Black	8
203	FWM5.SB	Flat Washer M5 Black	8
204	SM353CE.V3-204	Switch Box Face Plate	1
205	SCB515.SB	Socket Cap Bolt M5 x 15mm Black	1

Item	Part No.	Description	Qty
206	SM353CE.V3-206	Rotary Switch	1
207	SM353CE.V3-207	Rotary Knob	1
209	SM353CE.V3-209	Water Pump Switch	1
210	SM353CE.V3-210	Start Switch	1
211	SM353CE.V3-211	Emergency Stop Switch	1
212	SM353CE.V3-212	Indicator Light	1
216	MSP430.S	Machine Screw Pan Head Phillips M4 x 30mm	3

**NOTE:** It is our policy to continually improve products and as such we reserve the right to alter data, specifications and component parts without prior notice. There may be alternative versions of this product, please contact us should you require this information.

**IMPORTANT:** No liability is accepted for incorrect use of product. Spare parts must be fitted by a competent person

**WARRANTY:** Guarantee is 12 months from purchase date, proof of which will be required for any claim.



TM

Parts Information:  
**Bandsaw 400mm Horizontal Hydraulic Arm**  
**Model No: SM353CE.V4**

Item	Part No.	Description	Qty
217	SM353CE.V3-217	Hose Clamp	1
218	SM353CE.V3-218	Water Pipe 8 x 660mm	1
219	SM353CE.V3-219	Water Pipe 8 x 410mm	1
220	SM353CE.V3-220	Water Pipe Connector	2
221	SM353CE.V3-221	Water Pipe Connector	2
222	MSP68.SB	Machine Screw Pan Head Phillips M6 x 8mm Black	6
223	SM353CE.V3-223	Water Stent	2
224	SM353CE.V3-224	Adjusting Flow Valve	2
225	SM353CE.V3-225	Water Pipe Connector	1
226	SM353CE.V3-226	Water Pipe 8 x 620mm	1
227	SM353CE.V3-227	Copper Pipe 6 x 20mm	2
228	SM353CE.V3-228	Water Pipe 8 x 350mm	1
231	SM353CE.V3-231	C-Type Handle	2
232	SCB620.SB	Socket Cap Bolt M6 x 20mm Black	4
233	SN6.SB	Steel Nut M6 Black	4
234	SM353CE.V4-234	Blade Wheel Cover - Left (Dark Grey)	1
234-1	SM353CE.V3-234-1	Switch Plate	1
234-2	SM353CE.V3-234-2	Switch	1
235	SS1220.S	Hex Head Set Screw M12 x 20mm	2
236	SM353CE.V3-236	Flat Gasket	1
238	SM353CE.V3-238	Idler Wheel	1
239	SM353CE.V3-239	Wire Brush Guard	1
241	SWM6.SB	Spring Washer M6 Black	6
243	SM353CE.V4-243	Blade Wheel Cover - Right (Dark Grey)	1
243-1	SM353CE.V3-243-1	Switch Plate	1
243-2	SM353CE.V3-243-2	Switch	1
244	SM353CE.V3-244	Front Blade Guard	1
245	SCB616.SB	Socket Cap Bolt M6 x 16mm Black	4
246	FWM6.S	Flat Washer M6	27
248	SM353CE.V3-248	Front Bearing Bracket	1
249	SM353CE.V3-249	Scale	1
250	SCB1025.SB	Socket Cap Bolt M10 x 25mm Black	2
251	SM353CE.V3-251	Slide Beam	1
252	SM353CE.V3-252	Slide Beam Support	1

Item	Part No.	Description	Qty
255	SCB840.SB	Socket Cap Bolt M8 x 40mm Black	1
256	SM353CE.V3-256	Wire Retainer	2
257	MSP510.SB	Machine Screw Pan Head Phillips M5 x 10mm Black	3
258	SM353CE.V3-258	Rivet	2
259	GSM816.S	Grub Screw M8 x 16mm	8
261	B/6208	Bearing 6208	2
266	B/6201	Bearing 6201	8
267	SM353CE.V3-267	Eccentric Sleeve	2
267-1	SM353CE.V3-267-1	Centric Sleeve	2
269	SCB845.SB	Socket Cap Bolt M8 x 45mm Black	6
270	SCB630.SB	Socket Cap Bolt M6 x 30mm Black	5
272	SM353CE.V3-272	Set Piece	4
274	SM353CE.V3-274	Flat Gasket	1
275	SM353CE.V3-275	Drive Wheel	1
277	SM353CE.V3-277	Spacer Bush	1
278	SM353CE.V3-278	Blade Bracket - Right	1
279	SM353CE.V3-279	Stationary Plate	1
282	SM353CE.V3-282	Lock Handle M10 x 35mm	1
283	FWM12.S	Flat Washer M12	12
285	SM353CE.V3-285	Socket Cap Bolt M12 x 35mm	2
286	SM353CE.V3-286	Guide Bracket - Right	1
287	SM353CE.V3-287	Round Pin 8 x 5mm	1
289	SM353CE.V3-289	Wire Retainer	1
295	SM353CE.V3-295	Set Nut M6	1
297	SM353CE.V3-297	Wire Brush Clamp	1
298	SM353CE.V3-298	Wire Brush	1
299	SS630.S	Hex Head Set Screw M6 x 30mm	1
--	MSP48.SB	Machine Screw Pan Head Phillips M4 x 8mm Black (Not Shown)	16
--	SM353CE.V3-195	Electric Wire 1.6M (Not Shown)	1
		<b>Please choose required size of blade from the Catalogue</b>	
276	SM353CE/B04	Bandsaw Blade 3035 x 25 x 0.89mm 4tpi	1
276	SM353CE/B08	Bandsaw Blade 3035 x 25 x 0.89mm 8tpi	1
276	SM353CE/B14	Bandsaw Blade 3035 x 25 x 0.89mm 14tpi	1

**NOTE:** It is our policy to continually improve products and as such we reserve the right to alter data, specifications and component parts without prior notice. There may be alternative versions of this product, please contact us should you require this information.

**IMPORTANT:** No liability is accepted for incorrect use of product. Spare parts must be fitted by a competent person

**WARRANTY:** Guarantee is 12 months from purchase date, proof of which will be required for any claim.

Jack Sealey Ltd t/a Sealey Group, Kempson Way, Suffolk Business Park, Bury St Edmunds, Suffolk, IP32 7AR UK

Jack Sealey (EU) Ltd t/a Sealey Group, Farney Street, Carrickmacross, Co. Monaghan, A81 PK68 Ireland

Tel: 01284 757500 - Email: sales@sealey.co.uk - Web: www.sealey.co.uk