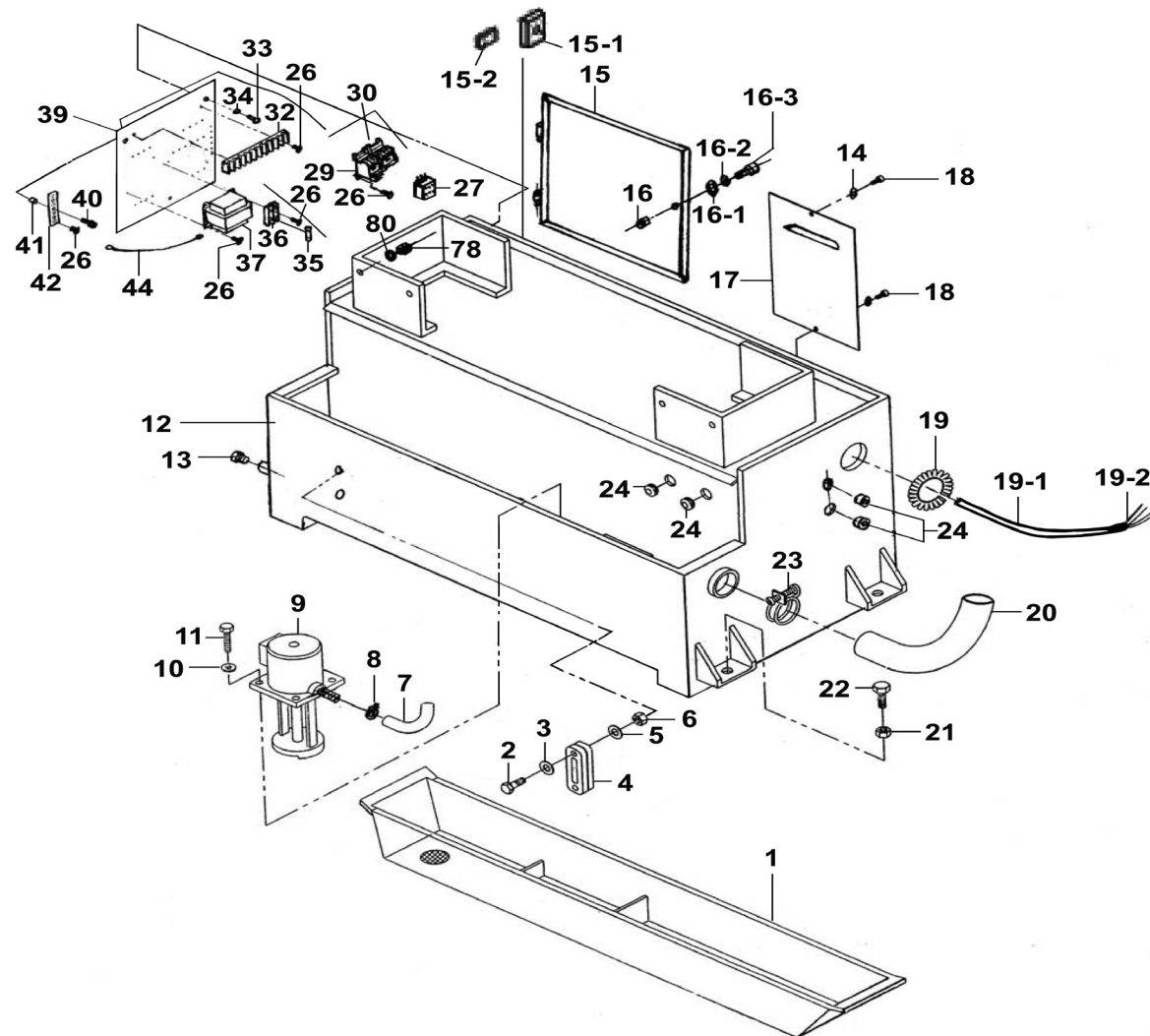




Parts Information:
Bandsaw 400mm Horizontal Hydraulic Arm
Model No: SM353CE.V3



NOTE: It is our policy to continually improve products and as such we reserve the right to alter data, specifications and component parts without prior notice.

There may be alternative versions of this product, please contact us should you require this information.

IMPORTANT: No liability is accepted for incorrect use of product. Spare parts must be fitted by a competent person

WARRANTY: Guarantee is 12 months from purchase date, proof of which will be required for any claim.

Sealey Group, Kempson Way, Suffolk Business Park, Bury St Edmunds, Suffolk. IP32 7AR



01284 757500



01284 703534



sales@sealey.co.uk



www.sealey.co.uk



Parts Information:
Bandsaw 400mm Horizontal Hydraulic Arm
Model No: SM353CE.V3

Item	Part No.	Description
1	SM353CE.V3-01	Water/Chip Tray
2	SM353CE.V3-02	Cross Pan Screws M10 x 1.5 x 30
3	SM353CE.V3-03	Oil Seal
4	SM353CE.V3-04	Oil Window
5	SM353CE.V3-05	Oil Seal
6	SM353CE.V3-06	Hexagon Nut M10 x 1.5mm
7	SM353CE.V3-07	Water Hose 12 x 1.5m
8	SM353CE.V3-08	Hose Clamp 9 x 16
9	SM353CE.V3-09	Coolant Pump 25W
10	FWM5.S	Flat Washer M5 Zinc
11	SCB525.SB	Socket Cap Bolt M5 x 25 Bolt
12	SM353CE.V3-12	Base
13	SM353CE.V3-13	Oil Plug M16 x 1.5
14	FWM6.S	Flat Washer M6 Zinc
15	SM353CE.V3-15	Door
15-1	SM353CE.V3-15-1	Switch
15-2	SM353CE.V3-15-2	Switch Plate
16	SN6.S	Steel Nut M6 Zinc
16-1	FWM6.S	Flat Washer M6 Zinc
16-2	SWM6.S	Spring Washer M6 Zinc
16-3	SCB630.SB	Socket Cap Bolt M6 x 30 Black
17	SM353CE.V3-17	Cover Plate
18	SCB610.SB	Socket Cap Bolt M6 x 10 Black
19	SM353CE.V3-19	Strain Relief

Item	Part No.	Description
19-1	SM353CE.V3-19-1	Tube
19-2	SM353CE.V3-19-2	Wire 0.75mm ² x 2.2m
20	SM353CE.V3-20	Water Hose 20 x 0.6m
21	SN12.S	Steel Nut M12 Zinc
22	SM353CE.V3-22	Hex Bolt M12 x 65mm
23	SM353CE.V3-23	Hose Clamp 22mm
24	SM353CE.V3-24	Rubber Sleeve
26	MSP48.SB	Machine Screw Pan Head Phips M4x8mm Blk
27	SM353CE.V3-27	Thermal Overload Relay
29	SM353CE.V3-29	24V Contactor
30	SM353CE.V3-30	24V Contactor
32	SM353CE.V3-32	Terminal Strip
33	SCB616.SB	Socket Cap Bolt M6 x 16 Black
34	FWM6.S	Flat Washer M6 Zinc
35	SM353CE.V3-35	Protective Tube 2A
36	SM353CE.V3-36	Protective Tube Seat
37	SM353CE.V3-37	Transformer
39	SM353CE.V3-39	Circuit Board
40	SCB610.SB	Socket Cap Bolt M6 x 10 Black
41	SN8.S	Steel Nut M8 Zinc
42	SM353CE.V3-42	Earth Plate
44	SM353CE.V3-44	Ground Lead Wire 0.75Mm ² x 200
78	SM353CE.V3-78	Hexagon Nut M8
80	FWM8.S	Flat Washer M8 Zinc

NOTE: It is our policy to continually improve products and as such we reserve the right to alter data, specifications and component parts without prior notice. There may be alternative versions of this product, please contact us should you require this information.

IMPORTANT: No liability is accepted for incorrect use of product. Spare parts must be fitted by a competent person

WARRANTY: Guarantee is 12 months from purchase date, proof of which will be required for any claim.

Sealey Group, Kempson Way, Suffolk Business Park, Bury St Edmunds, Suffolk. IP32 7AR



01284 757500



01284 703534

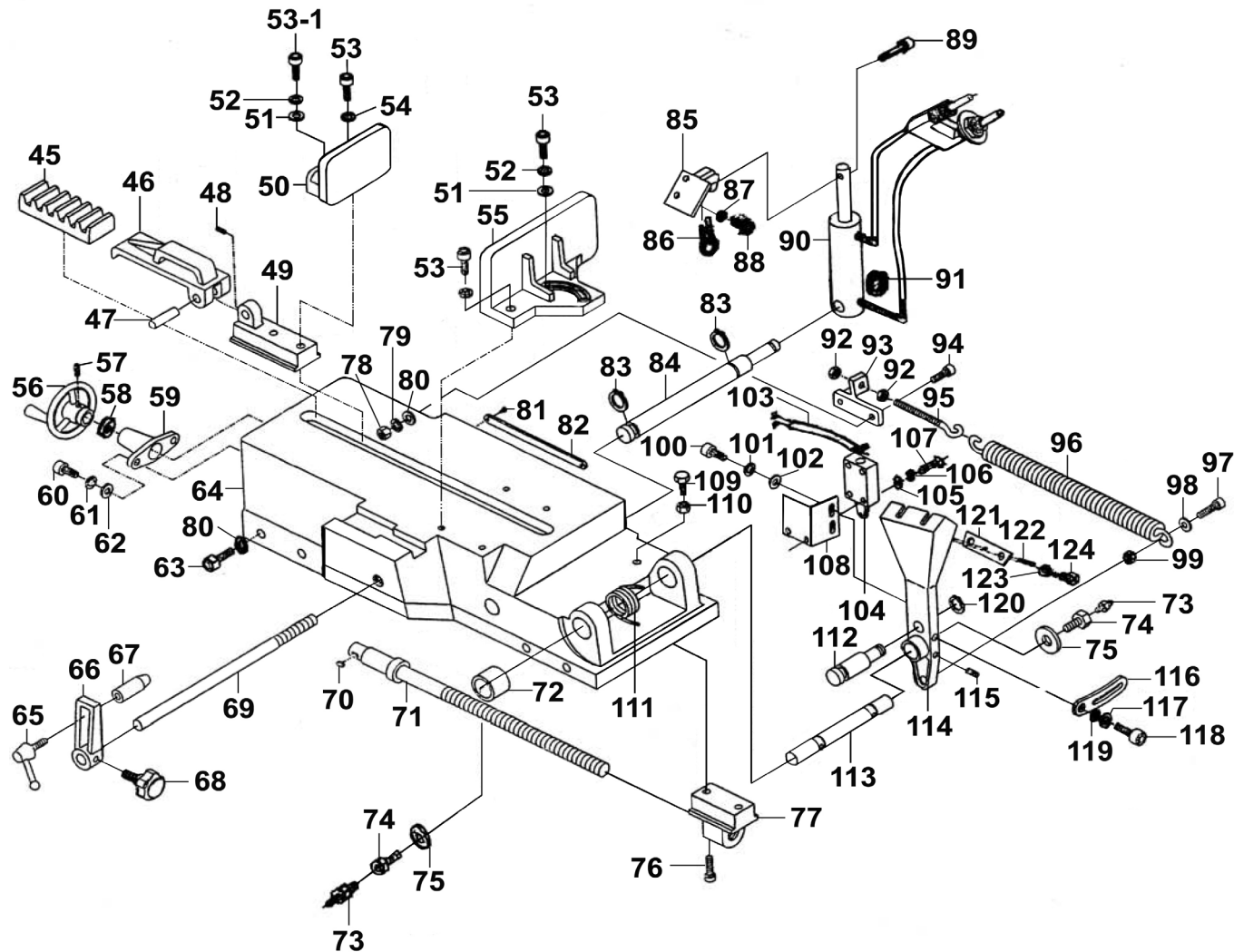


sales@sealey.co.uk



www.sealey.co.uk

Parts Information:
Bandsaw 400mm Horizontal Hydraulic Arm
Model No: SM353CE.V3



NOTE: It is our policy to continually improve products and as such we reserve the right to alter data, specifications and component parts without prior notice.

There may be alternative versions of this product, please contact us should you require this information.

IMPORTANT: No liability is accepted for incorrect use of product. Spare parts must be fitted by a competent person

WARRANTY: Guarantee is 12 months from purchase date, proof of which will be required for any claim.

Sealey Group, Kempson Way, Suffolk Business Park, Bury St Edmunds, Suffolk. IP32 7AR

 01284 757500 |
  01284 703534 |
  sales@sealey.co.uk |
  www.sealey.co.uk



Parts Information:
Bandsaw 400mm Horizontal Hydraulic Arm
Model No: SM353CE.V3

Item	Part No.	Description
45	SM353CE.V3-45	Rack Plate
46	SM353CE.V3-46	Rack Block
47	SM353CE.V3-47	Rack Block Pin
48	GSM66.S	Grub Screw M6x6 (Single)
49	SM353CE.V3-49	Sliding Seat
50	SM353CE.V3-50	Vice Jaw - Left
51	FWM12.S	Flat Washer M12 Zinc
52	SWM12.S	Spring Washer M12 Zinc
53	SM353CE.V3-053	Socket Cap Bolt M12x50
53-1	SM353CE.V3-053-1	Socket Cap Bolt M12x45
54	FWM12.S	Flat Washer M12 Zinc
55	SM353CE.V3-55	Vice Jaw - Right
56	SM353CE.V3-56	Hand Wheel
57	GSM610.S	Grub Screw M6x10 (Single)
58	B/51103	Bearing Race 51103
59	SM353CE.V3-59	Lead Screw Seat
60	SCB830.SB	Socket Cap Bolt M8 x 30 Black
61	FWM8.S	Flat Washer M8 Zinc
62	SWM8.S	Spring Washer M8 Zinc
63	SS830.S	Hex Head Set Screw M8 x 30 Zinc
64	SM353CE.V3-64	Workbench
65	SM353CE.V3-65	Lock Handle M12 x 45
66	SM353CE.V3-66	Work Stop Bracket
67	SM353CE.V3-67	Work Stop
68	SM353CE.V3-68	Lock Knob M10 x 30
69	SM353CE.V3-69	Work Stop Rod
70	SM353CE.V3-70	Flat Key 5 x 5 x 20
71	SM353CE.V3-71	Lead Screw
72	SM353CE.V3-72	Spare Bush
73	SM353CE.V3-73	Grease Cup M6
74	SM353CE.V3-74	Bolt
75	SM353CE.V3-75	Plain Washer
76	SCB825.SB	Socket Cap Bolt M8 x 25 Black
77	SM353CE.V3-77	Lead Screw Bracket
78	SM353CE.V3-78	Hexagon Nut M8
79	SWM8.S	Spring Washer M8 Zinc
80	FWM8.S	Flat Washer M8 Zinc
81	SM353CE.V3-81	Rivet
82	SM353CE.V3-82	Angle Scale Plate
83	SM353CE.V3-83	Circlips For Shaft
84	SM353CE.V3-84	Oil Cylinder Bracket Shaft

Item	Part No.	Description
85	SM353CE.V3-85	Hydraulic Mounting Plate - Top
86	SM353CE.V3-86	Cotter Pin 3 x 20
87	SWM10.S	Spring Washer M10 Zinc
88	SCB1030.SB	Socket Cap Bolt M10 x 30 Black
89	SM353CE.V3-89	Cylinder Pin - Top
90	SM353CE.V3-90	Hydraulic Cylinder
91	SM353CE.V3-91	Circlips For Shaft
92	SN12.S	Steel Nut M12 Zinc
93	SM353CE.V3-93	Tension Spring Seat
94	SCB825.SB	Socket Cap Bolt M8 x 25 Black
95	SM353CE.V3-95	Tension Spring Hook
96	SM353CE.V3-96	Tension Spring
97	SCB1240.S	Socket Cap Bolt M12 x 40 Zinc
98	FWM8.S	Flat Washer M8 Zinc
99	SN12.S	Steel Nut M12 Zinc
100	SM353CE.V3-100	Socket Cap Bolt M8x6
101	SWM8.S	Spring Washer M8 Zinc
102	FWM8.S	Flat Washer M8 Zinc
103	SM353CE.V3-103	Two Conductor 0.75mm ² x 1.5M
104	SM353CE.V3-104	Safety Switch
105	FWM4.S	Flat Washer M4 Single
106	SWM4.S	Spring Washer M4 Zinc
107	MSP430.S	Machine Screw Pan Head Phillips M4 X 30mm
108	SM353CE.V3-108	Switch Base
109	SS1045.S	Hex Head Set Screw M10 X 45 Zinc
110	SN10.S	Steel Nut M10 Zinc
111	SM353CE.V3-111	Torsion Spring
112	SM353CE.V3-112	Torsion Spring Shaft
113	SM353CE.V3-113	Pivot Shaft
114	SM353CE.V3-114	Pivot Support
115	SCB812.SB	Socket Cap Bolt M8 x 12 Black
116	SM353CE.V3-116	Tilt Bracket
117	FWM8.S	Flat Washer M8 Zinc
118	SCB830.SB	Socket Cap Bolt M8 x 30 Black
119	SWM8.S	Spring Washer M8 Zinc
120	SM353CE.V3-120	Circlip For Shaft
121	SM353CE.V3-121	Pressing Plate
122	SM353CE.V3-122	Spring Pin
123	SWM12.S	Spring Washer M12 Zinc
124	SM353CE.V3-124	Socket Cap Bolt M12x410

NOTE: It is our policy to continually improve products and as such we reserve the right to alter data, specifications and component parts without prior notice. There may be alternative versions of this product, please contact us should you require this information.

IMPORTANT: No liability is accepted for incorrect use of product. Spare parts must be fitted by a competent person

WARRANTY: Guarantee is 12 months from purchase date, proof of which will be required for any claim.

Sealey Group, Kempson Way, Suffolk Business Park, Bury St Edmunds, Suffolk. IP32 7AR



01284 757500



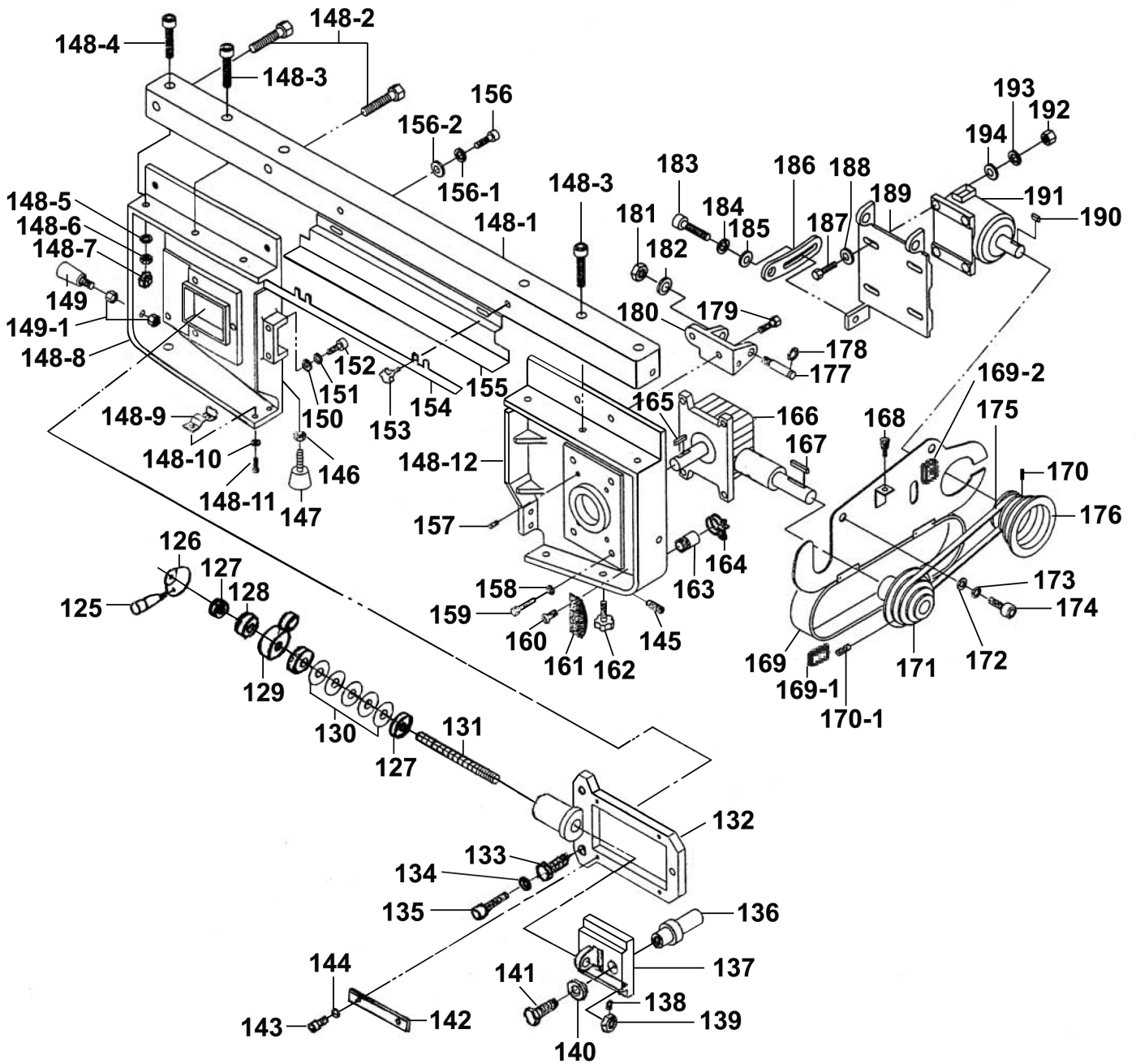
01284 703534



sales@sealey.co.uk



www.sealey.co.uk



Item	Part No.	Description
125	SM353CE.V3-125	Handle
126	SM353CE.V3-126	Handwheel
127	SM353CE.V3-127	Cover
128	B/51104	Bearing Race 51104
129	SM353CE.V3-129	Pressure Gauge
130	SM353CE.V3-130	Elastic Saddle Shaped Washer
131	SM353CE.V3-131	Adjustment Lever

Item	Part No.	Description
132	SM353CE.V3-132	Adjustable Slide
133	SM353CE.V3-133	Adjustable Bolt
134	SWM10.S	Spring Washer M10 Zinc
135	SM353CE.V3-135	Hex Socket Head Cap Screw M10 x 60
136	SM353CE.V3-136	Idle Wheel Shaft
137	SM353CE.V3-137	Slide Shoe
138	GSM66.S	Grub Screw M6x6 (Single)

NOTE: It is our policy to continually improve products and as such we reserve the right to alter data, specifications and component parts without prior notice. There may be alternative versions of this product, please contact us should you require this information.

IMPORTANT: No liability is accepted for incorrect use of product. Spare parts must be fitted by a competent person

WARRANTY: Guarantee is 12 months from purchase date, proof of which will be required for any claim.



Parts Information:
Bandsaw 400mm Horizontal Hydraulic Arm
Model No: SM353CE.V3

Item	Part No.	Description
139	SM353CE.V3-139	Hexagon Nut
140	SM353CE.V3-140	Washer
141	SS1025.S	Hex Head Set Screw M10 x 25 Zinc
142	SM353CE.V3-142	Guide Plate
143	SCB820.SB	Socket Cap Bolt M8 x 20 Black
144	SWM8.S	Spring Washer M8 Zinc
145	GSM1012.S	Grub Screw M10 x 12
146	SN10.S	Steel Nut M10 Zinc
147	SM353CE.V3-147	Foot Support
148-1	SM353CE.V3-148-1	Articulated Beam
148-2	SS1020.S	Hex Head Set Screw M10 x 20 Zinc
148-3	SCB1220.SB	Socket Cap Bolt M12 x 20 Black
148-4	SCB1230.SB	Socket Cap Bolt M12 x 30 Black
148-5	FWM12.S	Flat Washer M12 Zinc
148-6	SWM12.S	Spring Washer M12 Zinc
148-7	SN12.S	Steel Nut M12 Zinc
148-8	SM353CE.V3-148-8	Wheel Box, Left
148-9	SM353CE.V3-148-9	Lock Plate
148-10	FWM6.S	Flat Washer M6 Zinc
148-11	SCB610.SB	Socket Cap Bolt M6 x 10 Black
148-12	SM353CE.V3-148-12	Slave Saw Wheel Box
149	SM353CE.V3-149	Handle M12 x 25
149-1	SN12.S	Steel Nut M12 Zinc
150	FWM12.S	Flat Washer M12 Zinc
151	SWM12.S	Spring Washer M12 Zinc
152	SM353CE.V3-152	Socket Cap Bolt M12x35
153	SM353CE.V3-153	Lock Handle M6 x 10
154	SM353CE.V3-154	Blade Guard
155	SM353CE.V3-155	Blade Guard - Down
156	SCB610.SB	Socket Cap Bolt M6 x 10 Black
156-1	FWM6.SB	Flat Washer M6 Black
156-2	SWM6.SB	Spring Washer M6 Black
157	GSM1012.S	Grub Screw M10 x 12
158	FWM12.SB	Flat Washer M12 Black
159	SCB1235.S	Socket Cap Bolt M12 x 35
160	MSP56.S	Machine Screw Pan Head Phillips M5x6mm
161	SM353CE.V3-161	Strainer

Item	Part No.	Description
162	SM353CE.V3-162	Lock Screw M6 x 10
163	SM353CE.V3-163	Connector
164	SM353CE.V3-164	Hose Clamp
165	SM353CE.V3-165	Flat Key 8 x 8 x 40
166	SM353CE.V3-166	Worm Gear Ass'y
167	SM353CE.V3-167	Flat Key 6 x 6 x 60
168	SM353CE.V3-168	Lock Screw M6 x 20
169	SM353CE.V3-169	Pulley Cover
169-1	SM353CE.V3-169-1	Switch Plate
169-2	SM353CE.V3-169-2	Switch
170	GSM812.S	Grub Screw M8 x 12
170-1	GSM612.S	Grub Screw M6x12
171	SM353CE.V3-171	Belt Pulley
172	FWM8.SB	Flat Washer M8 Black
173	SWM8.SB	Spring Washer M8 Black
174	SCB816.SB	Socket Cap Bolt M8 x 16 Black
175	SM353CE.V3-175	V-Belt
176	SM353CE.V3-176	Motor Pulley
177	SM353CE.V3-177	Support Shaft
178	SM353CE.V3-178	Circlips For Support Shaft
179	SS1230.S	Hex Head Set Screw M12 x 30 Zinc
180	SM353CE.V3-180	Supporting Seat
181	SN12.S	Steel Nut M12 Zinc
182	FWM12.S	Flat Washer M12 Zinc
183	SCB830.SB	Socket Cap Bolt M8 x 30 Black
184	FWM8.SB	Flat Washer M8 Black
185	SWM8.SB	Spring Washer M8 Black
186	SM353CE.V3-186	Stand
187	SS845.S	Hex Head Set Screw M8 x 45 Zinc
188	FWM8.SB	Flat Washer M8 Black
189	SM353CE.V3-189	Motor Mount Plate
190	SM353CE.V3-190	Flat Key 6 x 6 x 35
191	SM353CE.V3-191	Motor
192	SN8.S	Steel Nut M8 Zinc
193	SWM8.S	Spring Washer M8 Zinc
194	FWM8.S	Flat Washer M8 Zinc

NOTE: It is our policy to continually improve products and as such we reserve the right to alter data, specifications and component parts without prior notice. There may be alternative versions of this product, please contact us should you require this information.

IMPORTANT: No liability is accepted for incorrect use of product. Spare parts must be fitted by a competent person

WARRANTY: Guarantee is 12 months from purchase date, proof of which will be required for any claim.

Sealey Group, Kempson Way, Suffolk Business Park, Bury St Edmunds, Suffolk. IP32 7AR



01284 757500



01284 703534

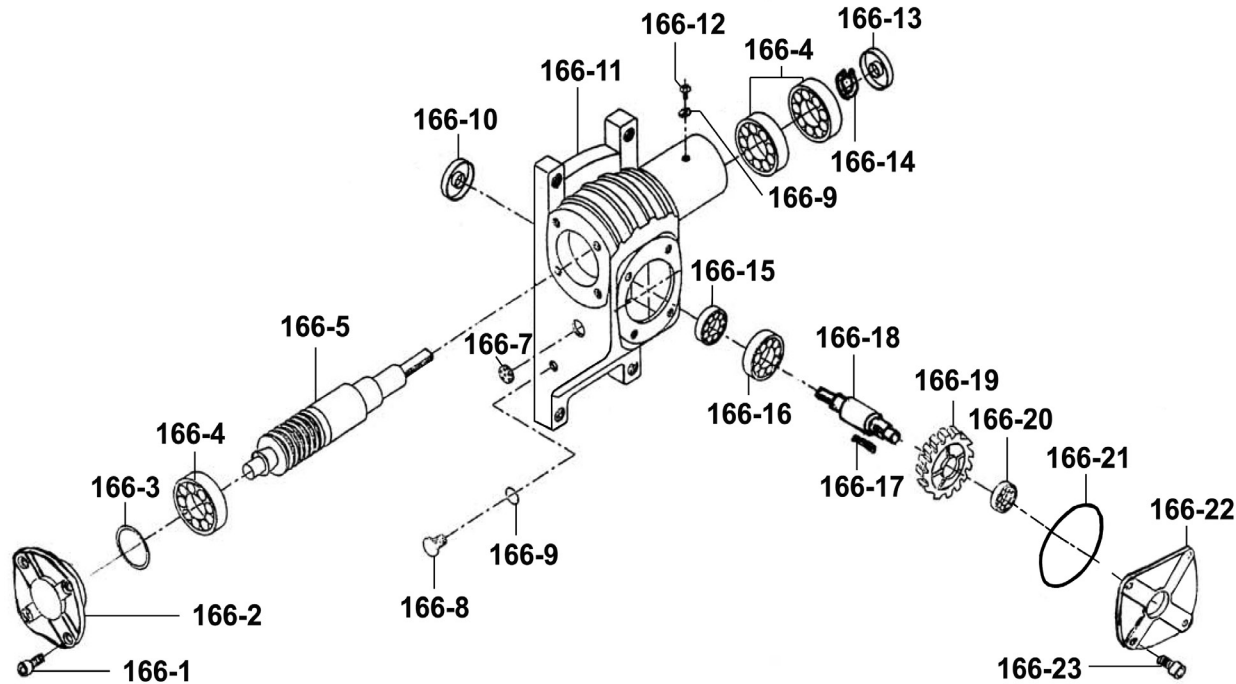


sales@sealey.co.uk



www.sealey.co.uk

Parts Information:
Bandsaw 400mm Horizontal Hydraulic Arm
Model No: SM353CE.V3



Item	Part No.	Description
166-1	SCB820.SB	Socket Cap Bolt M8 x 20 Black
166-2	SM353CE.V3-166-2	Gland
166-3	SM353CE.V3-166-3	Oil Seal 52 x 3.1
166-4	B/6205	Bearing 6205
166-5	SM353CE.V3-166-5	Worm Shaft
166-7	SM353CE.V3-166-7	Oil Window M16 x 1.5
166-8	SM353CE.V3-166-8	Oil Window M12 x 1.25
166-9	SM353CE.V3-166-9	Copper Washer 12

Item	Part No.	Description
166-10	SM353CE.V3-166-10	Framework Oil Seal 55 x 35 x 12
166-11	SM353CE.V3-166-11	Worm Gear Casing
166-12	SM353CE.V3-166-12	Air Oil Plug M12 x 1.25
166-13	SM353CE.V3-166-13	Framework Oil Seal 52 x 25 x 8
166-14	SM353CE.V3-166-14	Circlip
166-15	SM353CE.V3-166-15	Conical Roller Bearing 30207
166-16	B/6207	Bearing 6207
166-17	SM353CE.V3-166-17	Flat Key 8 x 8 x 35

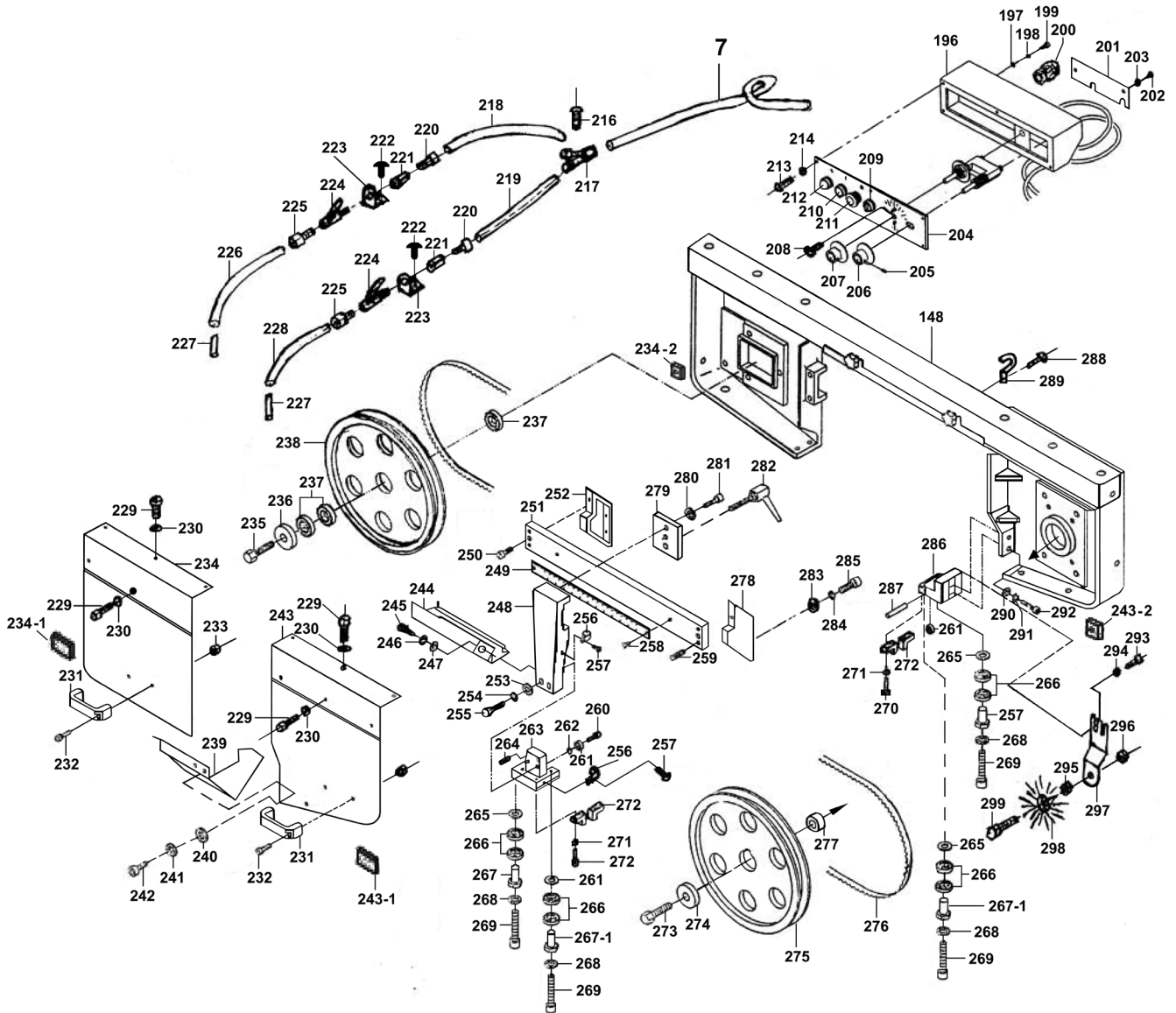
Item	Part No.	Description
166-18	SM353CE.V3-166-18	Worm Wheel Shaft
166-19	SM353CE.V3-166-19	Copper Worm
166-20	B/6206	Bearing 6206
166-21	SM353CE.V3-166-21	Oil Seal 117 x 3
166-22	SM353CE.V3-166-22	Worm Gear Box Cover
166-23	SCB1020.S	Socket Cap Bolt M10 x 20

NOTE: It is our policy to continually improve products and as such we reserve the right to alter data, specifications and component parts without prior notice.

There may be alternative versions of this product, please contact us should you require this information.

IMPORTANT: No liability is accepted for incorrect use of product. Spare parts must be fitted by a competent person

WARRANTY: Guarantee is 12 months from purchase date, proof of which will be required for any claim.



Item	Part No.	Description
7	SM353CE.V3-07	Water Hose 12 x 1.5m
148	SM353CE.V3-148	Saw Arm
196	SM353CE.V3-196	Switch Box
197	FWM6.SB	Flat Washer M6 Black
198	SWM6.SB	Spring Washer M6 Black
199	SCB610.SB	Socket Cap Bolt M6 x 10 Black
200	SM353CE.V3-200	Corrugated Hose
201	SM353CE.V3-201	Switch Box Cover
202	MSP58.SB	Machine Screw Pan Head Phillips M5x8mm
203	FWM5.SB	Flat Washer M5 Black
204	SM353CE.V3-204	Switch Box Face Plate

Item	Part No.	Description
205	SCB515.SB	Socket Cap Bolt M5 x 15 Black
206	SM353CE.V3-206	Rotary Switch
207	SM353CE.V3-207	Rotary Knob
208	MSP68.SB	Machine Screw Pan Head Phillips M6 X 8mm
209	SM353CE.V3-209	Water Pump Switch
210	SM353CE.V3-210	Start Switch
211	SM353CE.V3-211	Emergency Stop Switch
212	SM353CE.V3-212	Indicator Light
213	MSP58.SB	Machine Screw Pan Head Phillips M5x8mm Black
214	FWM5.SB	Flat Washer M5 Black
216	MSP430.S	Machine Screw Pan Head Phillips M4 x 30mm

NOTE: It is our policy to continually improve products and as such we reserve the right to alter data, specifications and component parts without prior notice. There may be alternative versions of this product, please contact us should you require this information.

IMPORTANT: No liability is accepted for incorrect use of product. Spare parts must be fitted by a competent person

WARRANTY: Guarantee is 12 months from purchase date, proof of which will be required for any claim.



Parts Information: Bandsaw 400mm Horizontal Hydraulic Arm Model No: SM353CE.V3

Item	Part No.	Description
217	SM353CE.V3-217	Hose Clamp
218	SM353CE.V3-218	Water Pipe 8 x 660mm
219	SM353CE.V3-219	Water Pipe 8 x 410mm
220	SM353CE.V3-220	Water Pipe Connector
221	SM353CE.V3-221	Water Pipe Connector
222	MSP68.SB	Machine Screw Pan Head Phillips M6 X 8mm Black
223	SM353CE.V3-223	Water Stent
224	SM353CE.V3-224	Adjusting Flow Valve
225	SM353CE.V3-225	Water Pipe Connector
226	SM353CE.V3-226	Water Pipe 8 x 620mm
227	SM353CE.V3-227	Copper Pipe 6 x 20
228	SM353CE.V3-228	Water Pipe 8 x 350mm
229	SCB610.SB	Socket Cap Bolt M6 x 10 Black
230	FWM6.S	Flat Washer M6 Zinc
231	SM353CE.V3-231	C-Type Handle
232	SCB620.SB	Socket Cap Bolt M6 x 20 Black
233	SN6.SB	Steel Nut M6 Black
234	SM353CE.V3-234	Blade Wheel Cover - Left
234-1	SM353CE.V3-234-1	Switch Plate
234-2	SM353CE.V3-234-2	Switch
235	SS1220.S	Hex Head Set Screw M12 x 20 Zinc
236	SM353CE.V3-236	Flat Gasket
237	B/6205	Bearing 6205
238	SM353CE.V3-238	Idler Wheel
239	SM353CE.V3-239	Wire Brush Guard
240	FWM6.SB	Flat Washer M6 Black
241	SWM6.SB	Spring Washer M6 Black
242	SCB610.SB	Socket Cap Bolt M6 x 10 Black
243	SM353CE.V3-243	Blade Wheel Cover - Right
243-1	SM353CE.V3-243-1	Switch Plate
243-2	SM353CE.V3-243-2	Switch
244	SM353CE.V3-244	Front Blade Guard
245	SCB616.SB	Socket Cap Bolt M6 x 16 Black
246	FWM6.S	Flat Washer M6 Zinc
247	SWM6.S	Spring Washer M6 Zinc
248	SM353CE.V3-248	Front Bearing Bracket
249	SM353CE.V3-249	Scale
250	SCB1025.SB	Socket Cap Bolt M10 x 25 black
251	SM353CE.V3-251	Slide Beam
252	SM353CE.V3-252	Slide Beam Support
253	FWM12.S	Flat Washer M12 Zinc
254	SWM12.S	Spring Washer M12 Zinc
255	SCB840.SB	Socket Cap Bolt M8 x 40 Black
256	SM353CE.V3-256	Wire Retainer

Item	Part No.	Description
257	MSP510.SB	Machine Screw Pan Head Phillips M5x10mm Black
258	SM353CE.V3-258	Rivet
259	GSM816.S	Grub Screw M8x16 (Single)
260	SCB825.SB	Socket Cap Bolt M8 x 25 Black
261	B/6208	Bearing 6208
262	FWM8.S	Flat Washer M8 Zinc
264	GSM816.S	Grub Screw M8x16 (Single)
265	FWM8.S	Flat Washer M8 Zinc
266	B/6201	Bearing 6201
267	SM353CE.V3-267	Eccentric Sleeve
267-1	SM353CE.V3-267-1	Centric Sleeve
268	SWM8.S	Spring Washer M8 Zinc
269	SCB845.SB	Socket Cap Bolt M8 x 45 Black
270	SCB630.SB	Socket Cap Bolt M6 x 30 Black
271	FWM6.S	Flat Washer M6 Zinc
272	SM353CE.V3-272	Set Piece
273	SS1220.S	Hex Head Set Screw M12 x 20 Zinc
274	SM353CE.V3-274	Flat Gasket
275	SM353CE.V3-275	Drive Wheel
276	SM353CE.V3-276	Blade 303 x 27 x 0.9
277	SM353CE.V3-277	Spacer Bush
278	SM353CE.V3-278	Blade Bracket - Right
279	SM353CE.V3-279	Stationary Plate
280	SWM8.S	Spring Washer M8 Zinc
281	SCB825.SB	Socket Cap Bolt M8 x 25 Black
282	SM353CE.V3-282	Lock Handle M10 x 35
283	FWM12.S	Flat Washer M12 Zinc
284	SWM12.S	Spring Washer M12 Zinc
285	SM353CE.V3-285	Socket Cap Bolt M12x35
286	SM353CE.V3-286	Guide Bracket - Right
287	SM353CE.V3-287	Round Pin 8 x 5
288	MSP510.SB	Machine Screw Pan Head Phillips M5x10mm Black
289	SM353CE.V3-289	Wire Retainer
290	FWM8.S	Flat Washer M8 Zinc
291	SWM8.S	Spring Washer M8 Zinc
292	SCB845.SB	Socket Cap Bolt M8 x 45 Black
293	SCB610.SB	Socket Cap Bolt M6 X 10 Black
294	FWM6.S	Flat Washer M6 Zinc
295	SM353CE.V3-295	Set Nut M6
296	SN6.S	Steel Nut M6 Zinc
297	SM353CE.V3-297	Wire Brush Clamp
298	SM353CE.V3-298	Wire Brush
299	SS630.S	Hex Head Set Screw M6 x 30 Zinc

NOTE: It is our policy to continually improve products and as such we reserve the right to alter data, specifications and component parts without prior notice. There may be alternative versions of this product, please contact us should you require this information.

IMPORTANT: No liability is accepted for incorrect use of product. Spare parts must be fitted by a competent person

WARRANTY: Guarantee is 12 months from purchase date, proof of which will be required for any claim.

Sealey Group, Kempson Way, Suffolk Business Park, Bury St Edmunds, Suffolk. IP32 7AR



01284 757500



01284 703534



sales@sealey.co.uk



www.sealey.co.uk