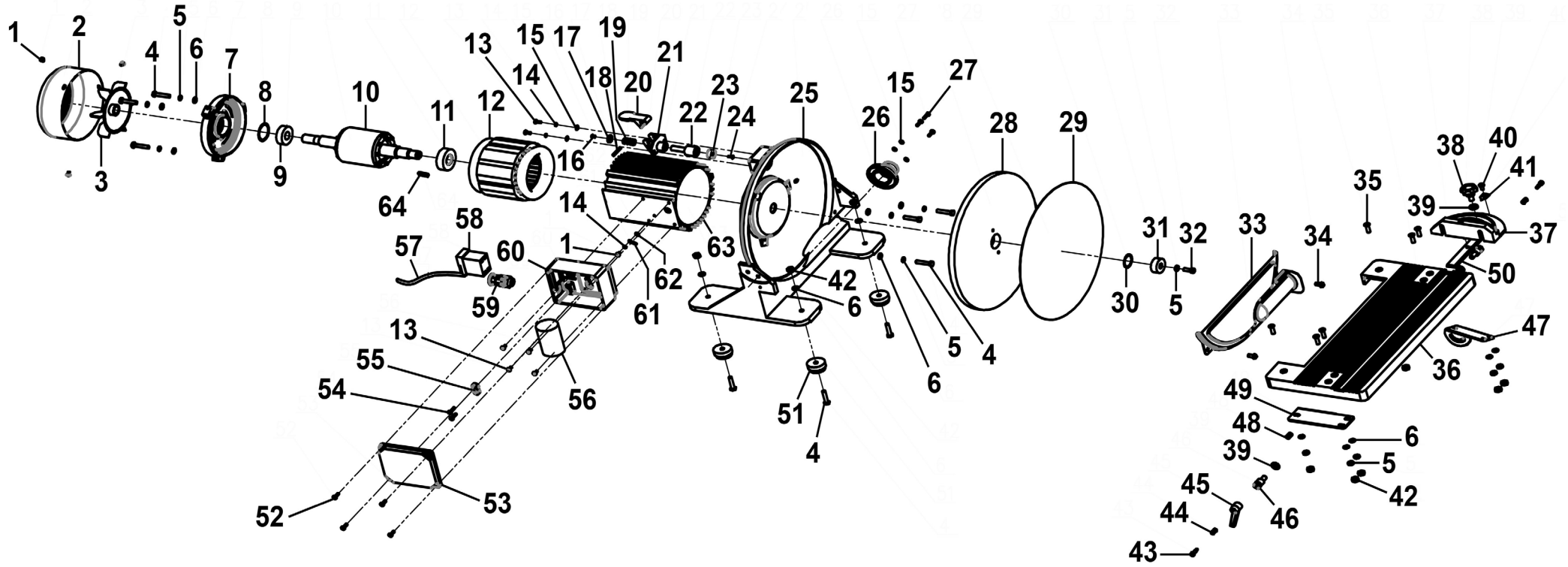




Parts Information:
305mm Disc Sander 750W/230V
Model No: SM31.V4



NOTE: It is our policy to continually improve products and as such we reserve the right to alter data, specifications and component parts without prior notice.

There may be alternative versions of this product, please contact us should you require this information.

IMPORTANT: No liability is accepted for incorrect use of product. Spare parts must be fitted by a competent person

WARRANTY: Guarantee is 12 months from purchase date, proof of which will be required for any claim.

Sealey Group, Kempson Way, Suffolk Business Park, Bury St Edmunds, Suffolk. IP32 7AR



01284 757500



sales@sealey.co.uk



www.sealey.co.uk



Parts Information:
305mm Disc Sander 750W/230V
Model No: SM31.V4

Item	Part No.	Description
1	MSP46.S	Machine Screw Pan Head Phillips M4 X 6mm
2	SM31-V4-02	Fan Cover
3	SM31-V4-03	Fan
4	SS630.S	Hex Head Set Screw M6 X 30 Zinc
5	SWM6.S	Spring Washer M6 Zinc
6	FWM6.S	Flat Washer M6 Zinc
7	SM31-V4-07	End Cover, Motor
8	SM31-V4-08	Wavy Spring Washer D40
9	B/6203Z	Bearing 6203z
10	SM31-V4-10	Rotor
11	B/6204Z	Bearing 6204z
12	SM31-V4-12	Stator
13	MSP410.S	Machine Screw Pan Head Phillips M4 X 10mm
14	SWM4.S	Spring Washer M4 Zinc
15	FWM4.S	Flat Washer M4
16	MSP46.S	Machine Screw Pan Head Phillips M4 X 6mm
17	SM31-V4-17	Washer
18	SM31-V4-18	Spring Pin Ø4 x 28
19	SM31-V4-19	Compression Spring
20	SM31-V4-20	Brake Lever
21	SM31-V4-21	Brake Base
22	SM31-V4-22	Brake Axle
23	SM31-V4-23	Brake Pad
24	MSP410.S	Machine Screw Pan Head Phillips M4 X 10mm
25	SM31-V4-25	Disc Guard
26	SM31-V4-26	Dust Chute
27	MSP414.S	Machine Screw Pan Head Phillips M4 X 14mm
28	SM31-V4-28	Backing Disc
29	SM31/38	Sanding Disc Ø305mm 80Grit PSA
30	SM31-V4-30	Wavy Spring Washer D32
31	SM31-V4-31	Spacer Sleeve
32	SS620.S	Hex Head Set Screw M6 X 20 Zinc

Item	Part No.	Description
33	SM31-V4-33	Dust Chute Cover
34	MSP612.S	Machine Screw Pan Head Phillips M6 X 12mm
35	MSP620.S	Machine Screw Pan Head Phillips M6 X 20mm
36	SM31-V4-36	Working Table
37	SM31-V4-37	Mitre Scale
38	SM31-V4-38	Knob
39	FWM8.S	Flat Washer M8 Zinc
40	MSP56.S	Machine Screw Pan Head Phillips M5 x 6mm
41	SM31-V4-41	Indicator
42	SN6.S	Steel Nut M6 Zinc
43	SM31-V4-43	Screw
44	SM31-V4-44	Spring
45	SM31-V4-45	Tilt Lock Lever
46	SM31-V4-46	Lever Bolt
47	SM31-V4-47	Table Support (R)
48	SM31-V4-48	Fix Stud
49	SM31-V4-49	Table Support (L)
50	SM31-V4-50	Guide Bar
51	SM31-V4-51	Rubber Pad
52	SM31-V4-52	Self-Tapping Screw ST4.2 x 13
53	SM31-V4-53	Switch Cover
54	SM31-V4-54	Self-Tapping Screw ST4.2 x 16
55	SM31-V4-55	Wire Clamp
56	SM31-V4-56	Capacitor
57	SM31-V4-57	Power Cable
58	SM31-V4-58	Power Switch (KJD6)
59	SM31-V4-59	Cable Anchor M16
60	SM31-V4-60	Wiring Box
61	SM31-V4-61	Grounding Indicator
62	SM31-V4-62	Tooth Washer 4mm
63	SM31-V4-63	Motor Housing
64	SM31-V4-64	Woodruff Key 5 x 25

NOTE: It is our policy to continually improve products and as such we reserve the right to alter data, specifications and component parts without prior notice. There may be alternative versions of this product, please contact us should you require this information.

IMPORTANT: No liability is accepted for incorrect use of product. Spare parts must be fitted by a competent person

WARRANTY: Guarantee is 12 months from purchase date, proof of which will be required for any claim.

Sealey Group, Kempson Way, Suffolk Business Park, Bury St Edmunds, Suffolk. IP32 7AR



01284 757500



sales@sealey.co.uk



www.sealey.co.uk