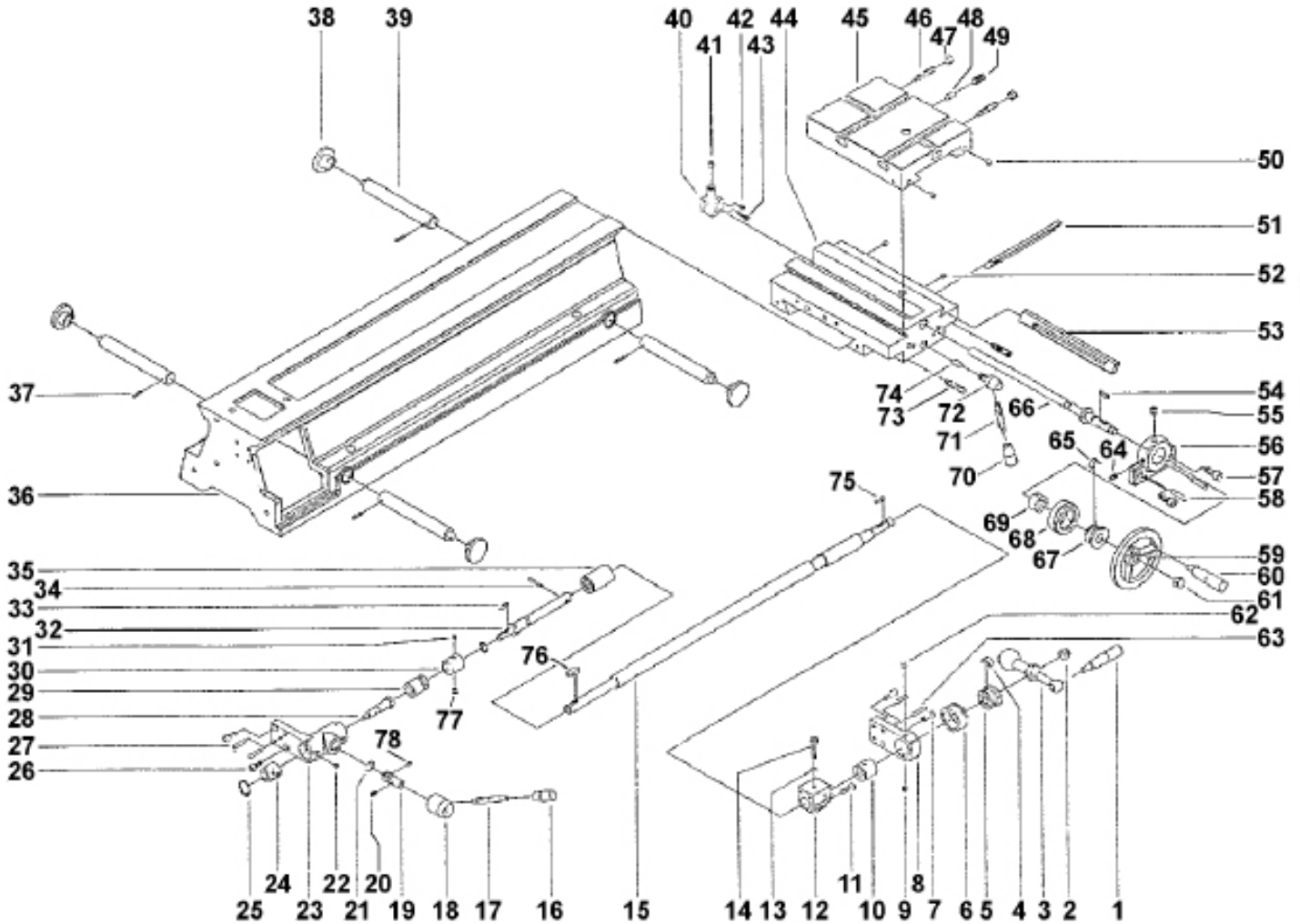




Parts Information:  
Metalworking Lathe 500mm Between  
Centres  
Model No: SM27

SM27.B PARTS



**NOTE:** It is our policy to continually improve products and as such we reserve the right to alter data, specifications and component parts without prior notice.

**IMPORTANT:** No liability is accepted for incorrect use of product.

**WARRANTY:** Guarantee is 12 months from purchase date, proof of which will be required for any claim.

Sealey Group, Kempson Way, Suffolk Business Park, Bury St Edmunds, Suffolk. IP32 7AR



01284 757500



01284 703534



sales@sealey.co.uk



www.sealey.co.uk



Parts Information:  
**Metalworking Lathe 500mm Between  
 Centres**  
**Model No: SM27**

Item	Part No.	Description
1	SM27.B01	HANDLES WITH SLEEVE
2	SM27.B02	DOMED CAP NUTS
3	SM27.B03	HANDLES WITH SLEEVE
4	SM27.B04	SPRING LAMINATION
5	SM27.B05	SLEEVE
6	SM27.B06	DIAL
7	SM27.B07	HEXAGON SOCKET HEAD SCREW
8	SM27.B08	BRACKET
9	SM27.B09	SET SCREWS WITH CONE POINT
10	SM27.B10	LEADSCREW BUSH
11	SM27.B11	HEXAGON SOCKET HEAD SCREW
12	SM27.B12	PORTRAIT NUT
13	SM27.B13	WASHER
14	SM27.B14	HEXAGON SOCKET HEAD SCREW
15	SM27.B15	LONGITUDINAL LEAD SCREW (SO)
16	SM27.T38	LONG SLEEVE KNOB
17	SM27.B17	HANDLE LEVER
18	SM27.B18	HANDLE SEAT
19	SM27.B19	ECCENTRIC SHAFT
20	SM27.B22	SET SCREW WITH CONE POINT
21	SM27.B21	O-SEAL
22	SM27.B22	SET SCREW WITH CONE POINT
23	SM27.B23	LEFT TRESTLE
24	SM27.B24	SHAFT SLEEVE
25	SM27.B25	EXTERNAL SNAP RING
26	SCB616.SB	SOCKET HEAD CAP SCREW M6x16 BLACK
27	SM27.B27	PIN
28	SM27.B28	SHAFT
29	SM27.B29	INNER HEXAGON SLEEVE
30	SM27.B30	BEARING SLEEVE
31	SM27.B31	SET SCREW WITH CONE POINT
32	SM27.B32	SHAFT
33	SM27.B33	PLAIN PARALLEL
34	SM27.B34	PIN
35	SM27.B35	COUPLING SLEEVE
36	SM27.B36	BED
37	SM27.B37	COTTER PIN
38	SM27.B38	CONE KNOBS
39	SM27.B39	LIFTING HANDLES
40	SM27.B40	CROSS NUT
41	SM27.B41	PRESS-FIT TYPE PRESSURE FEED LUBRICATING
42	SM27.B42	SET SCREWS WITH CONE POINT

Item	Part No.	Description
43	SM27.B43	SCREW
44	SM27.B44	SLIDE
45	SM27.B45	WORK TABLE
46	SM27.B46	HEXAGON SOCKET SET SCREW
47	SM27.B47	HEXAGON THIN NUT M8 HALF NUT
48	SM27.B48	LOCKING PIN
49	SM27.B49	HEXAGON SOCKET SET SCREW
50	SM27.B50	PRESS-FIT TYPE PRESSURE FEED LUBRICATING
51	SM27.B51	CHUCK
52	SM27.B52	PRESS-FIT TYPE PRESSURE FEED LUBRICATING
53	SM27.B53	CHOCK
54	SM27.B54	PLAIN PARALLEL
55	SM27.B55	PRESS-FIT TYPE PRESSURE FEED LUBRICATING
56	SM27.B56	CROSS LEAD SCREW SEAT
57	SM27.B57	HEXAGON SOCKET HEAD SCREW
58	SM27.B58	PIN
59	SM27.B59	HAND WHEEL
60	SM27.B60	HANDLE WITH SLEEVE (SO)
61	SN10.SDB	STEEL NUT M10 DOMED BLACK (SINGLE)
42	SM27.B62	PRESS-FIT TYPE PRESSURE FEED LUBRICATING
43	SM27.B63	PIN
64	SM27.B64	SET SCREW WITH CONE POINT
65	SM27.B65	LEAF SPRING
66	SM27.B66	CROSS LEAD SCREW
67	SM27.B67	SLEEVE
68	SM27.B68	DIAL
69	SM27.B69	BEARING SLEEVE (SO)
70	SM27.B70	KNOB
41	SM27.B71	HANDLE LEVER
72	SM27.B72	LOCKING HANDLE SEAT
73	SM27.B73	HEXAGON SOCKET SET SCREW
74	SM27.B74	LOCKING PIN
75	SM27.B75	PLAIN PARELLEL
76	SM27.B76	PLAIN PARALLEL(SO)
77	SM27.B77	PREES-FIT TYPE PRESSURE FEED LUBRIC POIN
78	SM27.B78	SCREW
--	SM27.B79	CENTER GUARD (NOT SHOWN)
--	SM27.B80	STOP BLOCK ASSY (NOT SHOWN)

**NOTE:** It is our policy to continually improve products and as such we reserve the right to alter data, specifications and component parts without prior notice.

**IMPORTANT:** No liability is accepted for incorrect use of product.

**WARRANTY:** Guarantee is 12 months from purchase date, proof of which will be required for any claim.

**Sealey Group**, Kempson Way, Suffolk Business Park, Bury St Edmunds, Suffolk. IP32 7AR



01284 757500



01284 703534



sales@sealey.co.uk

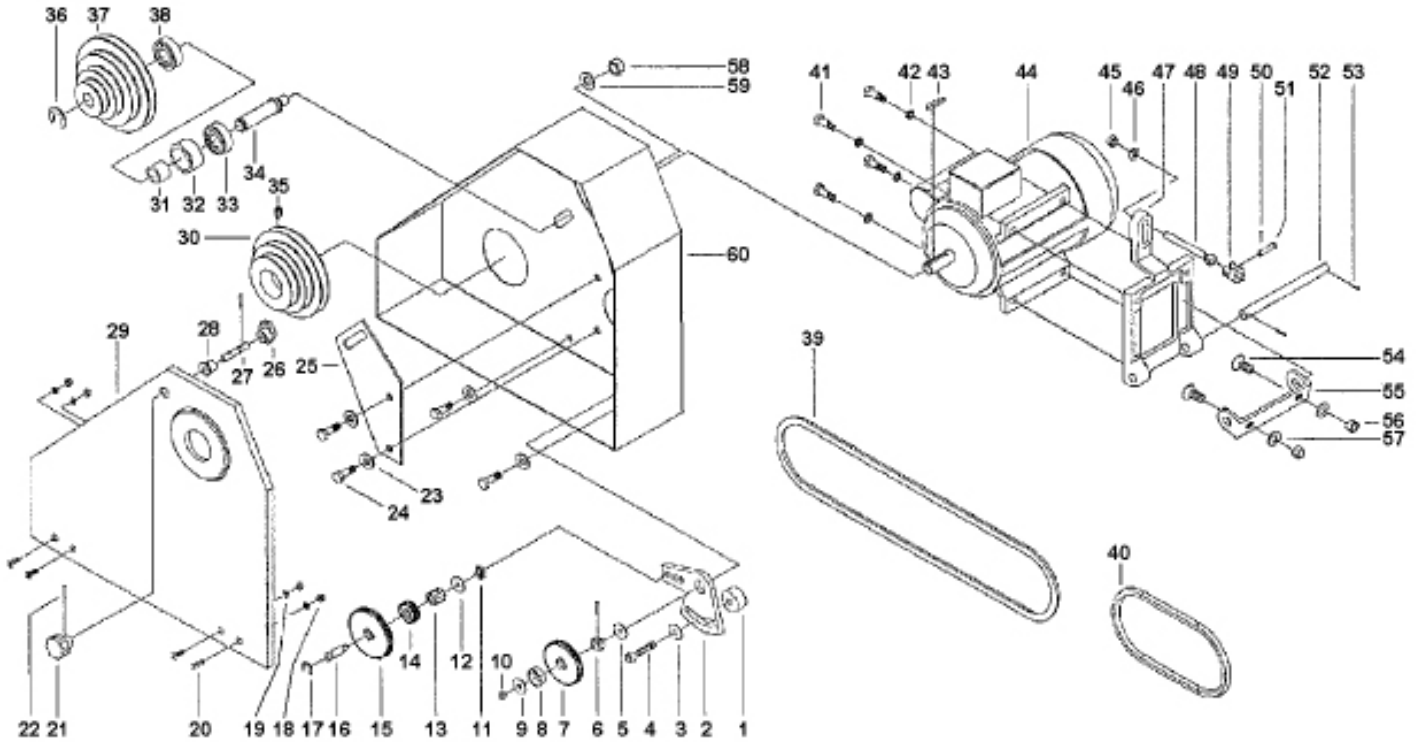


www.sealey.co.uk



Parts Information:  
Metalworking Lathe 500mm Between  
Centres  
Model No: SM27

SM27.CB PARTS



--	--	--

**NOTE:** It is our policy to continually improve products and as such we reserve the right to alter data, specifications and component parts without prior notice.

**IMPORTANT:** No liability is accepted for incorrect use of product.

**WARRANTY:** Guarantee is 12 months from purchase date, proof of which will be required for any claim.

Sealey Group, Kempson Way, Suffolk Business Park, Bury St Edmunds, Suffolk. IP32 7AR



01284 757500



01284 703534



sales@sealey.co.uk



www.sealey.co.uk



Parts Information:  
**Metalworking Lathe 500mm Between Centres**  
**Model No: SM27**

Item	Part No.	Description
1	SM27.CB01	SPACER
2	SM27.CB02	CHANGE GEAR PLATE
3	SM27.CB03	WASHER
4	SM27.CB04	HEXAGON HEAD BOLT
5	RW1030.S	REPAIR WASHER M10x30 (SINGLE)
6	SM27.CB06	SPLINE HOUSING
7	SM27.CB07	GEAR (63 TOOTH)
8	SM27.CB08	SLEEVE
9	FWM10.S	FLAT WASHER M10 SINGLE
10	SN6.S	STEEL NUT M6 ZINC DIN934 (SINGLE)
11	SM27.CB11	T-NUT
12	RW619.S	REPAIR WASHER M6x19 (SINGLE)
13	SM27.CB13	SPRING HOUSING
14	SM27.CB14	GEAR (27 TOOTH)
15	SM27.CB15	GEAR (60 TOOTH)
16	SM27.CB16	CHANGE GEAR SHAFT
17	SM27.CB17	E-SHAPED SNAP RING
18	SN4.S	STEEL NUT M4 ZINC DIN934 (SINGLE)
19	SWM4.SB	SPRING WASHER M4 BLACK (SINGLE)
20	SM27.CB20	SLOTTED CHEESE HEAD SCREW
21	SM27.CB21	STAR-GRIP KNOB
22	SM27.CB22	TAPER PIN
23	SM27.CB23	E-SHAPED SNAP RING
24	SM27.CB24	HEXAGON HEAD BOLT
25	SM27.CB25	FASCIA
26	SM27.CB26	DOOR KNOB
27	SM27.CB27	SHAFT
28	SM27.CB28	STATIONARY SLEEVE
29	SM27.CB29	COMPOUND BOX BLIND
30	SM27.CB30	MOTOR PULLEY
31	SM27.CB31	INNER SPRING SLEEVE
32	SM27.CB32	OUTER SPRING SLEEVE

Item	Part No.	Description
33	B/6203ZZ	BEARING 6203ZZ
34	SM27.CB34	PULLEY SHAFT
35	SM27.CB35	FLAT POINT SCREW
36	SM27.CB36	E-SHAPED SNAP RING
37	SM27.CB37	MIDDLE PULLEY
38	B/6203ZZ	BEARING 6203ZZ
39	V/M35	V-BELT (ID-875) M35
40	V/M22	V-BELT (ID-560) M22
41	SM27.CB41	HEXAGON HEAD BOLT
42	SM27.CB42	WASHER
43	SM27.CB43	PLAIN PARALLEL KEY
44	SM27.CB44	230V MOTOR, 0.55KW
45	SM27.CB45	HEXAGON NUT
46	SM27.CB46	WASHER
47	SM27.CB47	MOTOR MOUNT PLATE
48	SM27.CB48	DOG BOLT
49	SM27.CB49	FORKED STANDARD
50	SM27.CB50	COTTER PIN
51	SM27.CB51	PIN SHAFT
52	SM27.CB52	STRAIGHT PIN
53	SM27.CB53	COTTER PIN
54	SM27.CB54	SCREW
55	SM27.CB55	PEDESTAL
56	SM27.CB56	HEXAGON NUT
57	SM27.CB57	WASHER
58	SM27.CB58	HEXAGON NUT
59	SM27.CB59	WASHER
60	SM27.CB60	COMPOUND BOX CASING (NOT SHOWN)
--	SM27.CB61	EYESHIELD (OLD) (NOT SHOWN)
--	SM27.CB62	MICRO SWITCH FOR BELT COVER (NOT SHOWN)
--	SM27.CB63	MAIN MAG SWITCH (NOT SHOWN)
--	SM27.CB61N	EYESHIELD (NEW) (NOT SHOWN)

**NOTE:** It is our policy to continually improve products and as such we reserve the right to alter data, specifications and component parts without prior notice.

**IMPORTANT:** No liability is accepted for incorrect use of product.

**WARRANTY:** Guarantee is 12 months from purchase date, proof of which will be required for any claim.

**Sealey Group**, Kempson Way, Suffolk Business Park, Bury St Edmunds, Suffolk. IP32 7AR



01284 757500



01284 703534



sales@sealey.co.uk

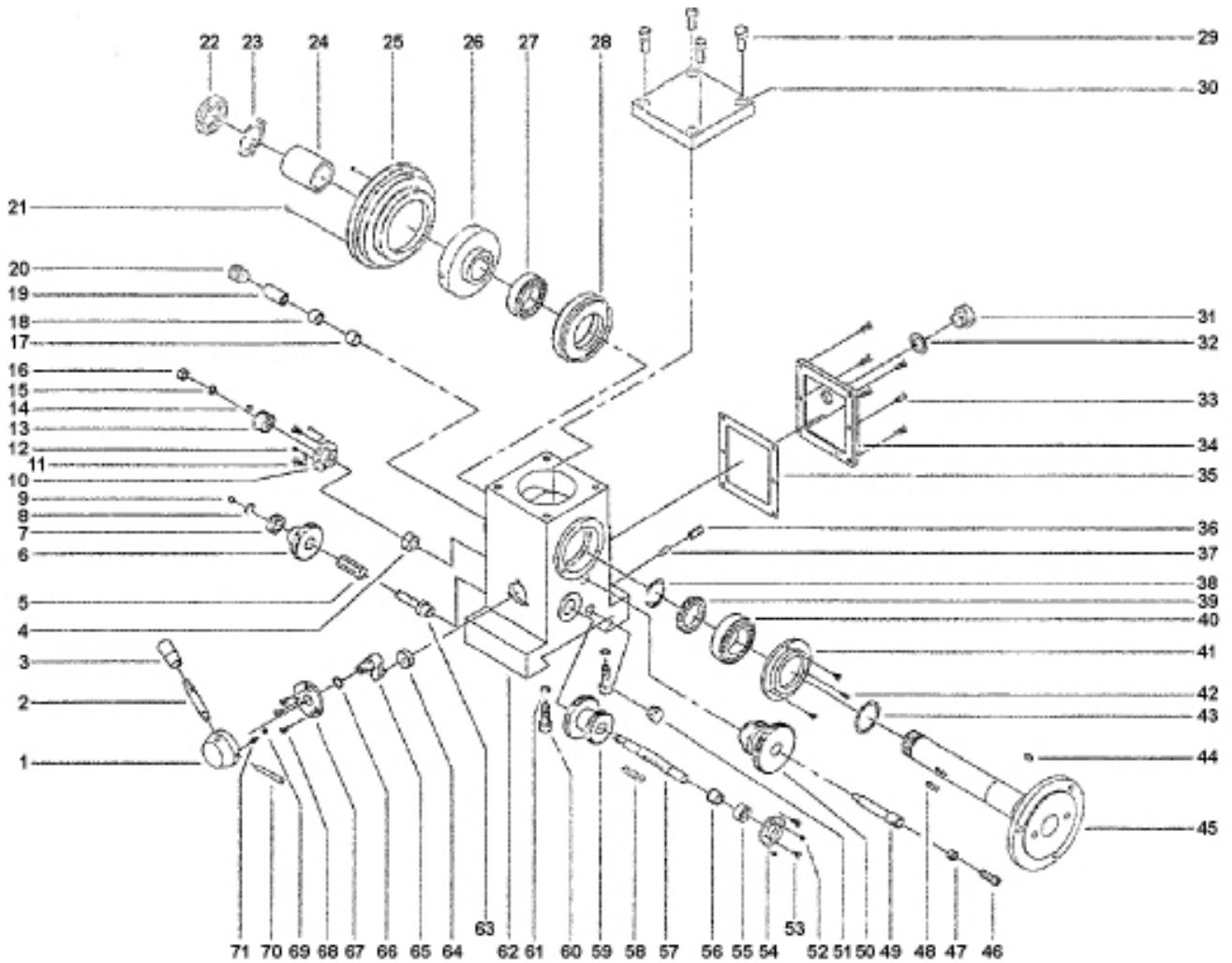


www.sealey.co.uk



Parts Information:  
**Metalworking Lathe 500mm Between  
Centres**  
**Model No: SM27**

SM27.LH PARTS



**NOTE:** It is our policy to continually improve products and as such we reserve the right to alter data, specifications and component parts without prior notice.

**IMPORTANT:** No liability is accepted for incorrect use of product.

**WARRANTY:** Guarantee is 12 months from purchase date, proof of which will be required for any claim.

Sealey Group, Kempson Way, Suffolk Business Park, Bury St Edmunds, Suffolk. IP32 7AR



01284 757500



01284 703534



sales@sealey.co.uk



www.sealey.co.uk



Parts Information:  
**Metalworking Lathe 500mm Between  
Centres**  
**Model No: SM27**

Item	Part No.	Description
1	SM27.LH01	HANDLE SEAT
2	SM27.LH02	HANDLE LEVER
3	SM27.LH03	KNOB
4	SM27.LH04	BEARING
5	SM27.LH05	SPLINE HOUSING
6	SM27.LH06	GEAR (30 TOOTH)
7	SM27.LH07	GEAR (50 TOOTH)
8	SM27.LH08	E-SHAPED SNAP RING
9	SM27.LH09	OIL CUP
10	SM27.LH10	END CAP
11	SM27.LH11	COUNTER SUNK SCREWS
12	SM27.LH12	FLAT POINT SET SCREW
13	SM27.LH13	GEAR (24 TOOTH)
14	SM27.LH14	PLAIN PARALLEL KEY
15	SM27.LH15	SPRING WASHER
16	SM27.LH16	HEXAGON NUT
17	SM27.LH17	BEARING
18	SM27.LH18	BEARING
19	SM27.LH19	SLEEVE
20	SM27.LH20	FLAT POINT SET SCREW
21	SM27.LH21	SET SCREWS WITH CONE POINT
22	SM27.LH22	ROUND NUT
23	SM27.LH23	LOCK WASHER
24	SM27.LH24	SHAFT SLEEVE
25	SM27.LH25	SPINDLE PULLEY
26	SM27.LH26	PULLEY SEAT
27	SM27.LH27	TAPER ROLLER BEARING
28	SM27.LH28	BEARING SEAT
29	SM27.LH29	TRANSMISSION COVER
30	SM27.LH30	SCREW
31	SM27.LH31	OIL PORT PLUG
32	SM27.LH32	O-RING
33	SM27.LH33	COUNTER SUNK HEAD SCREW
34	SM27.LH34	TRANSMISSION COVER
35	SM27.LH35	GASKET
36	SM27.LH36	SCREW

Item	Part No.	Description
37	SM27.LH37	LOCKING PIN
38	SM27.LH38	EXTERNAL SNAP RING
39	SM27.LH39	GEAR (50 TOOTH)
40	B/32008	BEARING 32008
41	SM27.LH41	MAINSHAFT BEARING OIL SEAL
42	SM27.LH42	PHILLIPS OVAL HEAD SCREW
43	SM27.LH43	FELT COLLAR
44	SM27.LH44	THIN FLAT KEY
45	SM27.LH45	LATHE SPINDLE
46	SM27.LH46	CHEESE HEAD SCREW
47	SM27.LH47	SHAFT NOSE
48	SM27.LH48	THIN FLAT KEY
49	SM27.LH49	MIDDLE SHAFT
50	SM27.LH50	TRIPLE GEAR (TOP 30 TOOTH) (MID 45)
51	SM27.LH51	OIL LEVEL INDICATOR
52	SM27.LH52	FLAT-POINT SET SCREW
53	SM27.LH53	COUNTER SUNK SCREW
54	SM27.LH54	END CAP
55	SM27.LH55	BEARING
56	SM27.LH56	SLEEVE SPACER
57	SM27.LH57	OUTPUT SHAFT
58	SM27.LH58	PLAIN PARALLEL
59	SM27.LH59	DUPLICATE GEAR
60	SM27.LH60	SCREW
61	SM27.LH61	SPRING WASHER
62	SM27.LH62	LATHE HEAD BODY
63	SM27.LH63	SHAFT(SO)
64	SM27.LH64	LOOSE PIECE
65	SM27.LH65	SHIFTING FORK
66	SM27.LH66	O-RING
67	SM27.LH67	LOCATING PLATE
68	SM27.LH68	COUNTER SUNK SCREW
69	SM27.LH69	STEEL BALL
70	SM27.LH70	PIN
71	SM27.LH71	SPRING

**NOTE:** It is our policy to continually improve products and as such we reserve the right to alter data, specifications and component parts without prior notice.

**IMPORTANT:** No liability is accepted for incorrect use of product.

**WARRANTY:** Guarantee is 12 months from purchase date, proof of which will be required for any claim.

**Sealey Group**, Kempson Way, Suffolk Business Park, Bury St Edmunds, Suffolk. IP32 7AR



01284 757500



01284 703534



sales@sealey.co.uk

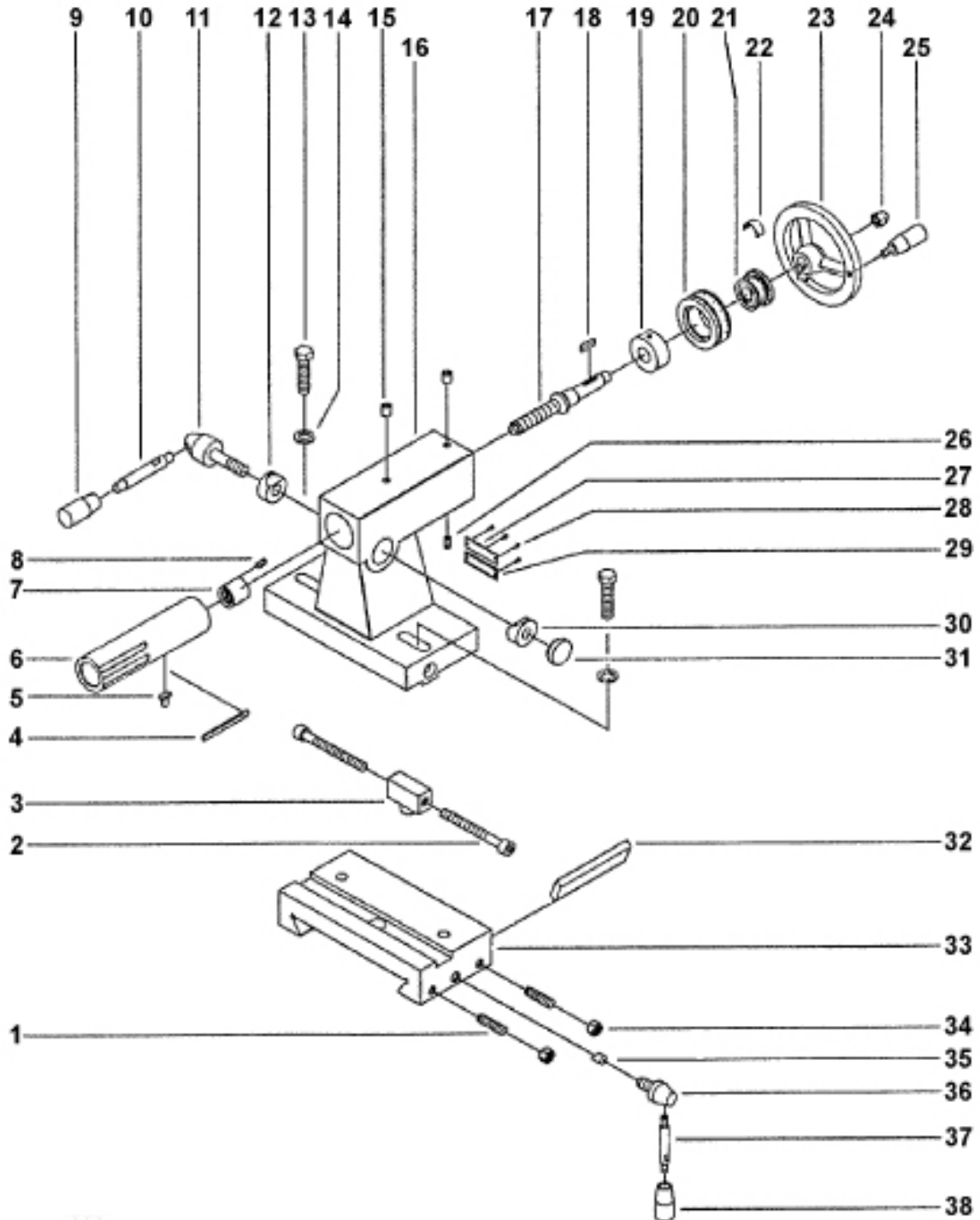


www.sealey.co.uk



Parts Information:  
Metalworking Lathe 500mm Between  
Centres  
Model No: SM27

SM27.T PARTS



**NOTE:** It is our policy to continually improve products and as such we reserve the right to alter data, specifications and component parts without prior notice.

**IMPORTANT:** No liability is accepted for incorrect use of product.

**WARRANTY:** Guarantee is 12 months from purchase date, proof of which will be required for any claim.

Sealey Group, Kempson Way, Suffolk Business Park, Bury St Edmunds, Suffolk. IP32 7AR



01284 757500



01284 703534



sales@sealey.co.uk



www.sealey.co.uk



Parts Information:  
**Metalworking Lathe 500mm Between  
Centres**  
**Model No: SM27**

Item	Part No.	Description
1	SM27.T01	HEXAGON SOCKET SET SCREW
2	SCB875.SB	SOCKET HEAD CAP SCREW M8x75 BLACK
3	SM27.T03	NUT BLOCK
4	SM27.T04	GRADUATED LABEL
5	SM27.T05	T-KEY
6	SM27.T06	TAIL STOCK SLEEVE
7	SM27.T07	TAILSTOCK NUT
8	SM27.T08	SET SCREW WITH CONE POINT
9	SM27.TP03	LONG SLEEVE KNOBS
10	SM27.T10	HANDLE LEVERS
11	SM27.T11	TAPER KNOB
12	SM27.T12	LOCKING SLEEVE
13	SS1040.SB	HEX HEAD SET SCREW M10x40mm SINGLE BLACK
14	FWM10.S	FLAT WASHER M10 SINGLE
15	SM27.T15	PRESS FIT TYPE PRESSURE FEED LUBRICATING
16	SM27.T16	TAILSTOCK
17	SM27.T17	TAILSTOCK LEAD SCREW
18	SM27.T18	PLAIN PARALLEL KEY

Item	Part No.	Description
19	SM27.T19	SLEEVE
20	SM27.T20	DIAL
21	SM27.T21	SLEEVE
22	SM27.T22	SPRING LAMINATION
23	SM27.T23	HAND WHEEL (INCLUDES PART T25)
24	SN10.SDB	STEEL NUT M10 DOMED BLACK (SINGLE)
25	SM27.T25	HANDLE WITH SLEEVE
26	SM27.T26	SET SCREW WITH CONE POINT
27	SM27.T27	ZERO LINE LABEL
28	SM27.T28	RIVET
29	SM27.T29	TAIL STOCK LABEL
30	SM27.T30	LOCKING NUT
31	SM27.T31	SPIGOT
32	SM27.T32	CHOCK
33	SM27.T33	TAILSTOCK CARRIAGE
34	SM27.T34	HALF NUT M8
35	SM27.T35	LOCKING PIN
36	SM27.T36	TAPER KNOB
37	SM27.T37	HANDLE LEVER
38	SM27.T38	LONG SLEEVE KNOB

**NOTE:** It is our policy to continually improve products and as such we reserve the right to alter data, specifications and component parts without prior notice.

**IMPORTANT:** No liability is accepted for incorrect use of product.

**WARRANTY:** Guarantee is 12 months from purchase date, proof of which will be required for any claim.

**Sealey Group**, Kempson Way, Suffolk Business Park, Bury St Edmunds, Suffolk. IP32 7AR



01284 757500



01284 703534



sales@sealey.co.uk



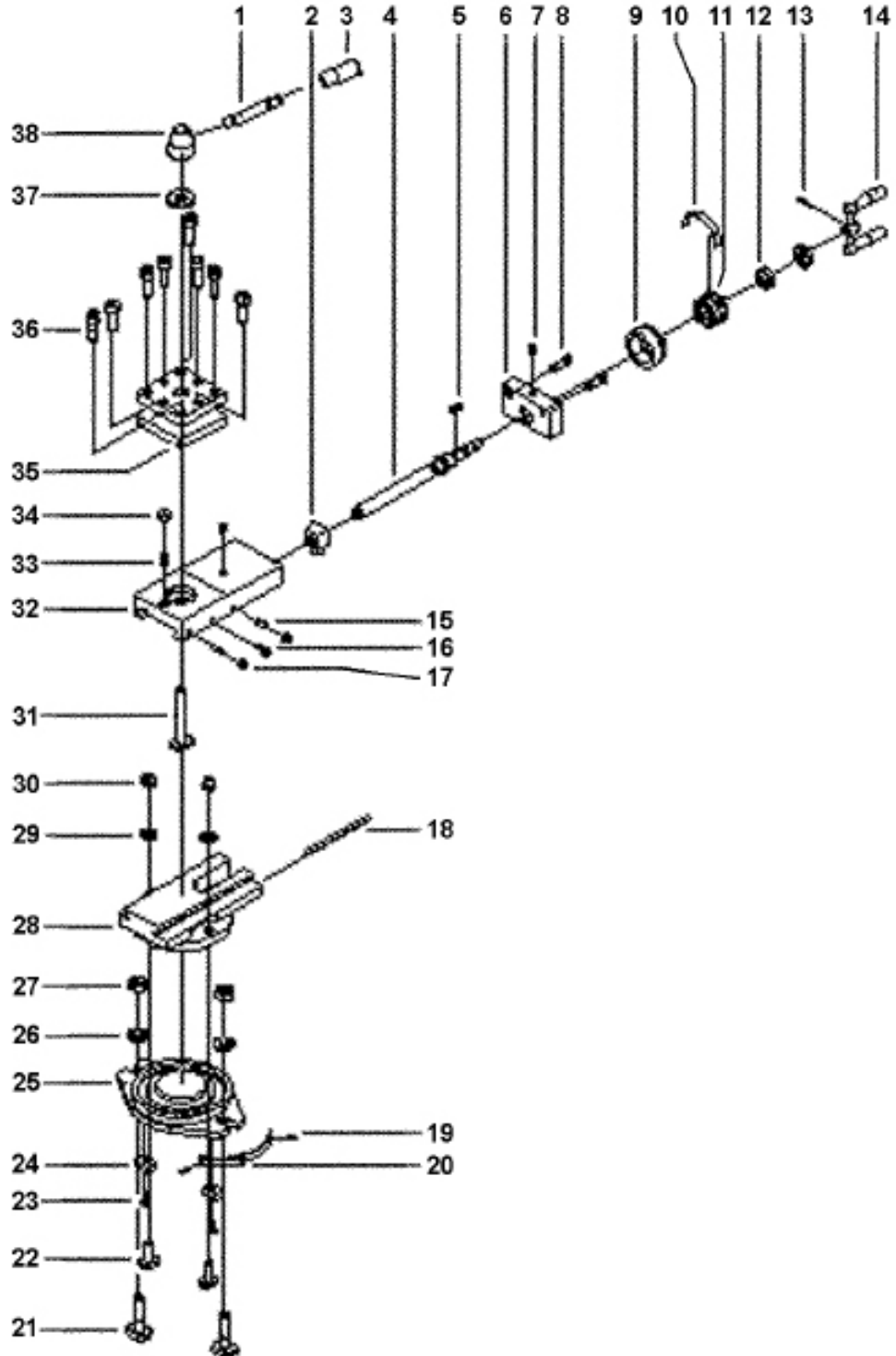
www.sealey.co.uk





Parts Information:  
Metalworking Lathe 500mm Between  
Centres  
Model No: SM27

SM27.TP PARTS



**NOTE:** It is our policy to continually improve products and as such we reserve the right to alter data, specifications and component parts without prior notice.

**IMPORTANT:** No liability is accepted for incorrect use of product.

**WARRANTY:** Guarantee is 12 months from purchase date, proof of which will be required for any claim.

Sealey Group, Kempson Way, Suffolk Business Park, Bury St Edmunds, Suffolk. IP32 7AR



01284 757500



01284 703534



sales@sealey.co.uk



www.sealey.co.uk



Parts Information:  
**Metalworking Lathe 500mm Between Centres**  
**Model No: SM27**

Item	Part No.	Description
1	SM27.TP01	HANDLE LEVER
2	SM27.TP02	NUT
3	SM27.TP03	LONG SLEEVE KNOBS
4	SM27.TP04	LEAD SCREW
5	SM27.TP05	PLAIN PARALLEL KEY
6	SM27.TP06	HANGER
7	SM27.TP07	OIL CUP
8	SM27.TP08	HEXAGON SOCKET CAP HEAD HEAD SCREW
9	SM27.TP09	DIAL
10	SM27.TP10	SPRING LUMINATION
11	SM27.TP11	SLEEVE
12	SM27.TP12	SPANNER NUT
13	SM27.TP13	TAPER PINS
14	SM27.TP14	BI-LEVER BALANCED HANDLES
15	SM27.TP15	SLOTTED SET SCREW WITH CONE POINT
16	SCB516.SB	SOCKET HEAD CAP SCREW M5x16 BLACK
17	SN5.S	STEEL NUT M5 ZINC DIN934 (SINGLE)
18	SM27.TP18	CHOCK
19	SM27.TP19	RIVET FOR NAME PLATE

Item	Part No.	Description
20	SM27.TP20	SCALE PLATE
21	SM27.TP21	BOLT FOR T-SLOT
22	SM27.TP22	BOLT FOR T SLOT
23	SM27.TP23	CROSS RECESSED COUNTERSUNK HEAD SCREW
24	SM27.TP24	LOCATING PIECE
25	SM27.TP25	REVOLVING BED
26	FWM8.S	FLAT WASHER M8 SINGLE
27	SN10.S	STEEL NUT M10 ZINC DIN934(SINGLE)
28	SM27.TP28	DOVETAIL BED
29	SM27.TP29	PLAIN WASHER
30	SN8.S	STEEL NUT M8 ZINC DIN934 (SINGLE)
31	SM27.TP31	BOLT FOR T-SLOT
32	SM27.TP32	SMALL CARRIAGE
33	SM27.TP33	SPRING
34	SM27.TP34	LOCATING SLEEVE
35	SM27.TP35	TOLL POST
36	SM27.TP36	HEXAGON SOCKET CAP HEAD SCREW
37	RW1030.S	REPAIR WASHER M10x30 (SINGLE)
38	SM27.TP38	HANDLE SEAT

**NOTE:** It is our policy to continually improve products and as such we reserve the right to alter data, specifications and component parts without prior notice.

**IMPORTANT:** No liability is accepted for incorrect use of product.

**WARRANTY:** Guarantee is 12 months from purchase date, proof of which will be required for any claim.

**Sealey Group**, Kempson Way, Suffolk Business Park, Bury St Edmunds, Suffolk. IP32 7AR



01284 757500



01284 703534



sales@sealey.co.uk



www.sealey.co.uk