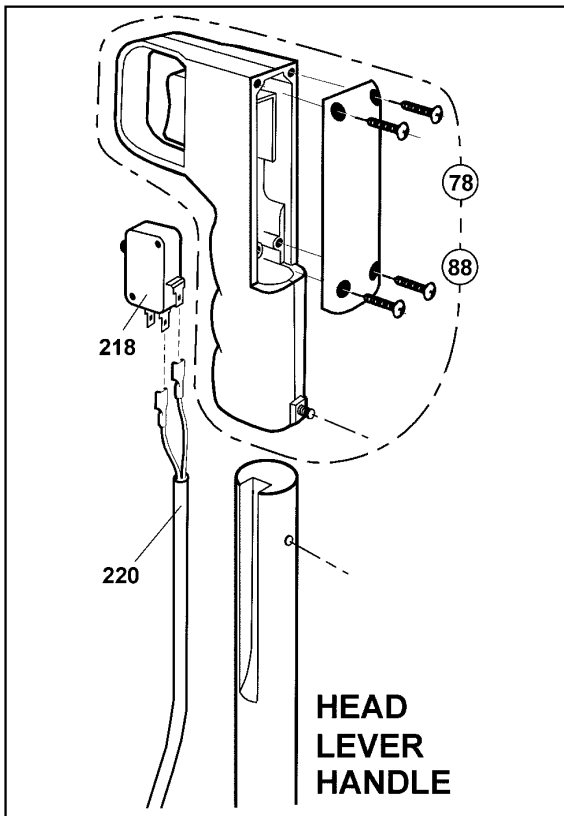
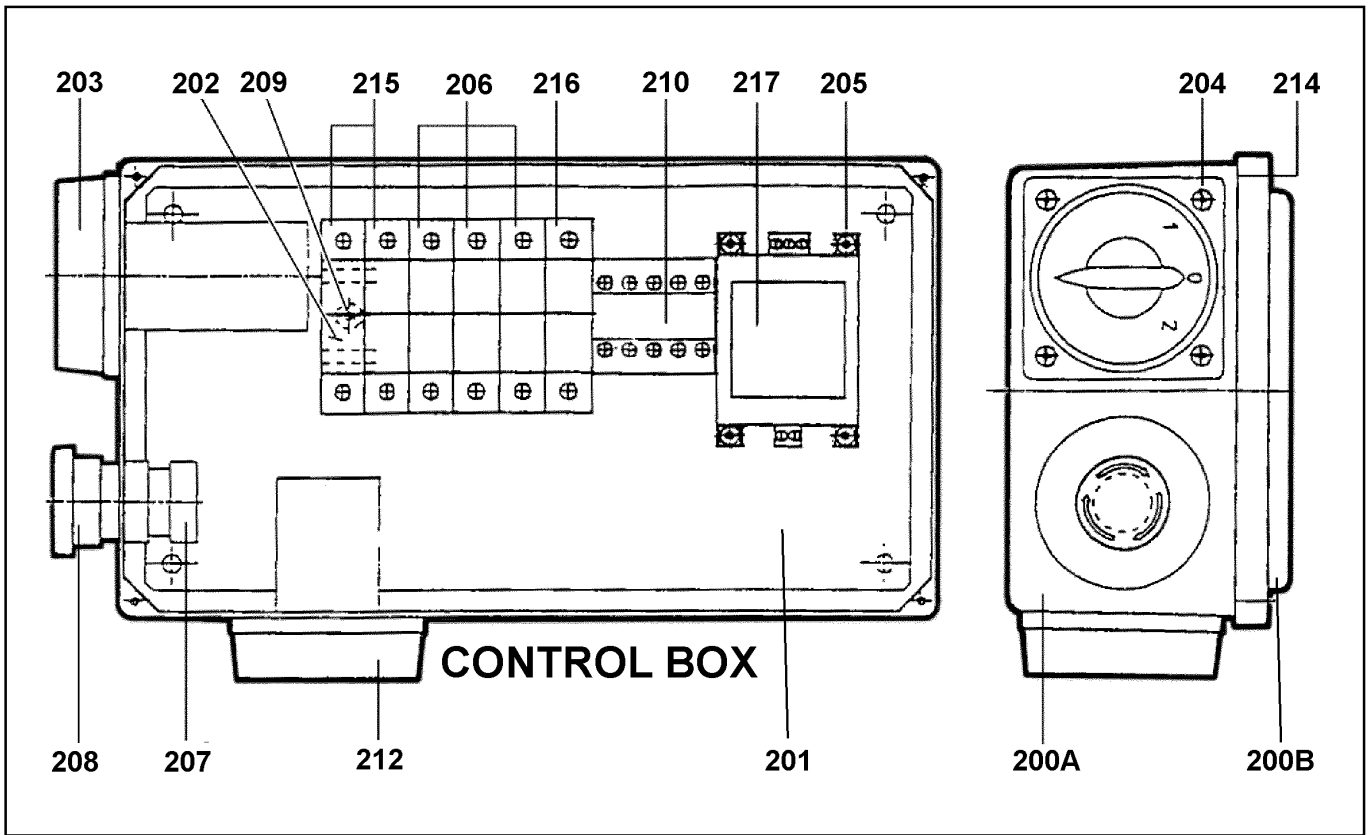


ITEM	PART NO.	DESCRIPTION
1	SM250/42	BENCH
2	SM275/02	MOTOR CASING
3	SM275/03	HEAD CARRY ARM
4	SM275/04	COUNTERSERVICE
5	SM275/05	FAN GUARD
6	SM250/59	VICE
7	SM275/07	HEAD
8	SM275/08	BENCH LEVER
10	SM275/10	WORM SCREW
11	SM275/11	HELICAL GEAR
12	SM275/12	ROTOR
15	SM275/15	GUARD FIXED ROD
16	SM250/60	VICE JAW
18	SM275/37	GRADUATED SCALE
19	SM250/58	VICE SCREW
21	SM275/21	DISK SHAFT
22	SM275/22	DISK FLANGE
23	SM275/23	SPACER
24	SM275/24	HEAD GEAR
25	SM275/25	HEAD PIN
27	SM275/27	WASHER D.8
28	SM275/28	HEAD LEVER NUT M14
29	SM225/22	HEAD LEVER
30	SM250/62	CRUCIBLE
31	SM275/31	DISK GUARD
34	SM250/55	VICE HANDWHEEL
35	SM250/13	PUMP CARRIER
37	SM275/37	WASHER D.10
38	SM225/64	BAR STOPPED ROD
39	SM250/45	BAR STOPPER
42	SM250/25	DISK FASTEN SCREW
43	SM250/49	BENCH LEVER NUT
52	SM275/52	FAN
53	SM250/81	PEDESTAL
54	SM275/54	STATOR
58	SM225/66	BAR STOPPER KNOB
59	SM275/59	DOWEL 6X10
60	SM275/60	NUT M16
61	SM275/61	SCREW 4X12

ITEM	PART NO.	DESCRIPTION
62	SM275/62	DOWEL 6X10
63	SM275/63	SCREW M6X12
64	SM275/64	SCREW M6X20
65	SM275/65	SCREW M6X55
66	SM275/66	NUT M8
69	SM275/69	SCREW M8X16
70	SM275/70	SCREW M8X30
71	SM275/71	SCREW M10X25
72	SM275/72	DOWEL 6X10
74	SM275/74	NUT M8
75	SM275/75	WASHER D6
76	SM275/76	ELASTIC PIN 8X36
77	SM275/77	KEY 5X5X30
78	SM275/78	KEY 5X5X30
79	SM275/79	OILER D6
80	SM275/80	SNAP RING D9
83	SM275/83	SNAP RING
84	SM250/11	BEARING 629
85	SM275/85	BEARING 6302
86	SM250/10	BEARING 6204ZZ
87	SM275/87	BEARING 3204
88	SM225/25	HEAD LEVER HANDLE
89	SM275/89	OIL LEVEL PLUG 3/8"
90	SM275/90	OIL DRAIN PLUG 3/8"
91	SM275/91	SPLASH GUARD 32-47-7
92	SM275/92	SPLASH GUARD 25-42-7
95	SM275/95	WASHER D8
96	SM275/96	SELF-LOCK RING NUT
97	SM275/97	LARGE S/L RING NUT
99	SM250/33	PUMP
100	SM250/63	BENCH TAP
102	SM275/102	WATER PIPE
105	SM275/B120	BLADE 275x2x32mm 120T 7mm TOOTH PITCH
105	SM275/B180	BLADE 275x2x32mm 180T 5mm TOOTH PITCH
105	SM275/B280	BLADE 275x2x32mm 280T 3mm TOOTH PITCH
105	SM275/B90	BLADE 275x2x32mm 90T 10mm TOOTH PITCH
106	SM275/106	SNAP RING D45
107	SM275/107	JET-BREAKER
108	SM275/108	SCREW M6X16
109	SM275/109	MOVABLE GUARD ROD
110	SM275/110	SCREW M6X20
111	SM275/111	FIXED GUARD ROD
113	SM250/88	FILTER
114	SM275/114	SCREW M6X20
115	SM250/85	FIXED ANTIFRAZE BRCKT
116	SM275/116	DOWEL 8X25
117	SM250/84	MOBILE ANTIFRAZE BRCKT
118	SM275/118	WASHER D10
119	SM275/119	SCREW M10X25
131	SM275/131	OIL FILLING CAP
132	SM275/132	FLANGE MOTOR
133	SM275/133	FLANGE REAR MOTOR
134	SM250/56	ECCENTRIC BUSH
N/S	SM275/C	ELECTRICAL CABLE
N/S	SM275/M-3	M'TOR 3PHASE V.400/50
N/S	SM250/F1	FUSE AM 10X38 1A
N/S	SM250/F10	FUSE AM 10X38 10A
N/S	SM250/F2	FUSE AM 10X38 2A



(2 OF 2)



ITEM	PART NO	DESCRIPTION
200A	SM250/200-A	BOX
200B	SM250/200-B	BOX COVER
201	SM250/201	PLATE
202	SM250/202	OMEGA RACEWAY
203	SM250/203	CHANGEOVER SWITCH QS2
204	SM250/204	SCREW M4X14
205	SM250/205	SCREW M4X6
206	SM250/206	POWER FUSE PCH 3X38
207	SM250/207	CONTACT
208	SM250/208	EMERGENCY BUTTON SB 1
209	SM250/209	SCREW TBEI M4X6
210	SM250/210	R'MOTE C'TROL SWITCH KM1
212	SM250/212	MAIN SWITCH QS1
214	SM250/214	SCREW TCCC M4X14
215	SM250/215	PRIMARY FUSE PCH 2X38
216	SM250/216	SECONDARY FUSE PCH 1X38
217	SM250/217	TRANSFORMER 20VA

Issue Date: 05/11/02
Issue No: 1

ITEM	PART NO	DESCRIPTION
78/88	SM225/25	HEAD, LEVER HANDLE INCLUDES BUTTON
218	SM225/218	MICRO SWITCH OF HANDLE
220	SM250/220	ELECTRICAL CABLE 2X1

