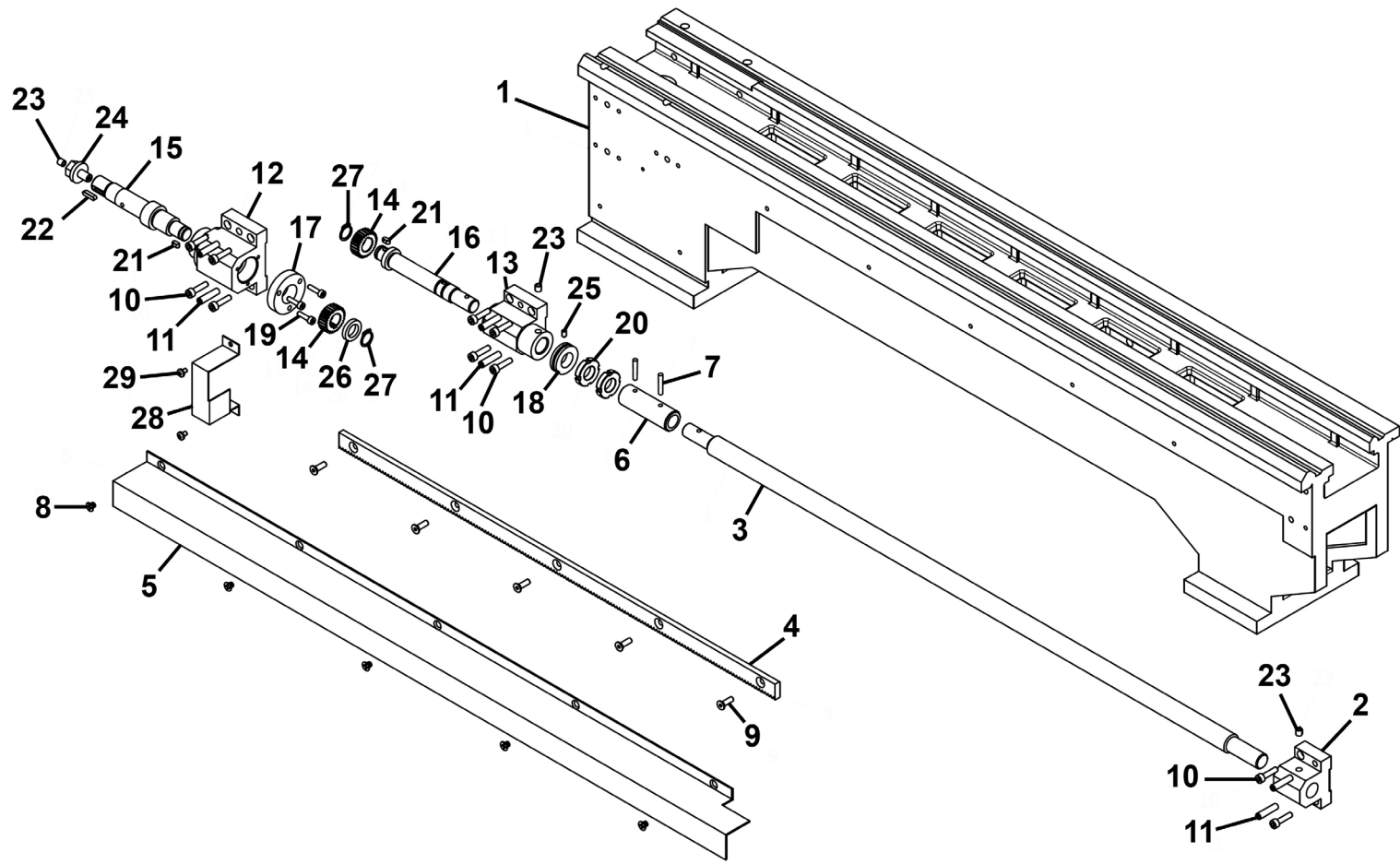




Parts Information:  
Metalworking Lathe 550mm Between Centres  
Model No: SM27.V3



**NOTE:** It is our policy to continually improve products and as such we reserve the right to alter data, specifications and component parts without prior notice.

There may be alternative versions of this product, please contact us should you require this information.

**IMPORTANT:** No liability is accepted for incorrect use of product. Spare parts must be fitted by a competent person

**WARRANTY:** Guarantee is 12 months from purchase date, proof of which will be required for any claim.

Sealey Group, Kempson Way, Suffolk Business Park, Bury St Edmunds, Suffolk. IP32 7AR

01284 757500 | sales@sealey.co.uk | www.sealey.co.uk



Parts Information:  
**Metalworking Lathe 550mm Between  
Centres**  
**Model No: SM27.V3**

Item	Part No.	Description	Qty
1	SM27-V3-01-1	Bed	1
2	SM27-V3-01-2	Leadscrew Support	1
3	SM27-V3-01-3	Metric Long Leadscrew	1
4	SM27-V3-01-4	Rack	1
5	SM27-V3-01-5	Leadscrew Protective Cover	1
6	SM27-V3-01-6	Leadscrew Connector Sleeve	1
7	SM27-V3-01-7	Round Pin 4x24	2
8	MSC58.S	Csk Phillips Machine Screw M5 X 8 Zinc	5
9	MSC516.S	Csk phillips machine screw m5x16 (single)	5
10	SCB520.S	Socket Cap Bolt M5 x 20mm	10
11	SM27-V3-01-11	Taper Pin 6x26	6
12	SM27-V3-01-12	Drive Shaft Support	1
13	SM27-V3-01-13	Left Side Support for Lead Screw	1
14	SM27-V3-01-14	Gear (Small)	2
15	SM27-V3-01-15	Wheel Drive Shaft	1

Item	Part No.	Description	Qty
16	SM27-V3-01-16	Connecting Shaft	1
17	SM27-V3-01-17	Adjustment Pressure Cap	1
18	SM27-V3-01-18	Steel Bush	1
19	SCB416.S	Socket Cap Bolt M4 x 16mm	3
20	SM27-V3-01-20	Small Round Nut M16x1.5	2
21	SM27-V3-01-21	Flat Key 4 x 4 x 8	2
22	SM27-V3-01-22	Flat Key 4 x 4 x 16	1
23	SM27-V3-01-23	Oil Cup	3
24	SM27-V3-01-24	Shoulder Bolt	1
25	GSM48.S	Grub screw m4x8 (single)	1
26	SM27-V3-01-26	Steel Ring	1
27	SM27-V3-01-27	External Circlip	2
28	SM27-V3-01-28	Protective Cover	1
29	MSP46.S	Machine Screw Pan Head Phillips M4 X 6mm	2

**NOTE:** It is our policy to continually improve products and as such we reserve the right to alter data, specifications and component parts without prior notice. There may be alternative versions of this product, please contact us should you require this information.

**IMPORTANT:** No liability is accepted for incorrect use of product. Spare parts must be fitted by a competent person

**WARRANTY:** Guarantee is 12 months from purchase date, proof of which will be required for any claim.

**Sealey Group**, Kempson Way, Suffolk Business Park, Bury St Edmunds, Suffolk. IP32 7AR



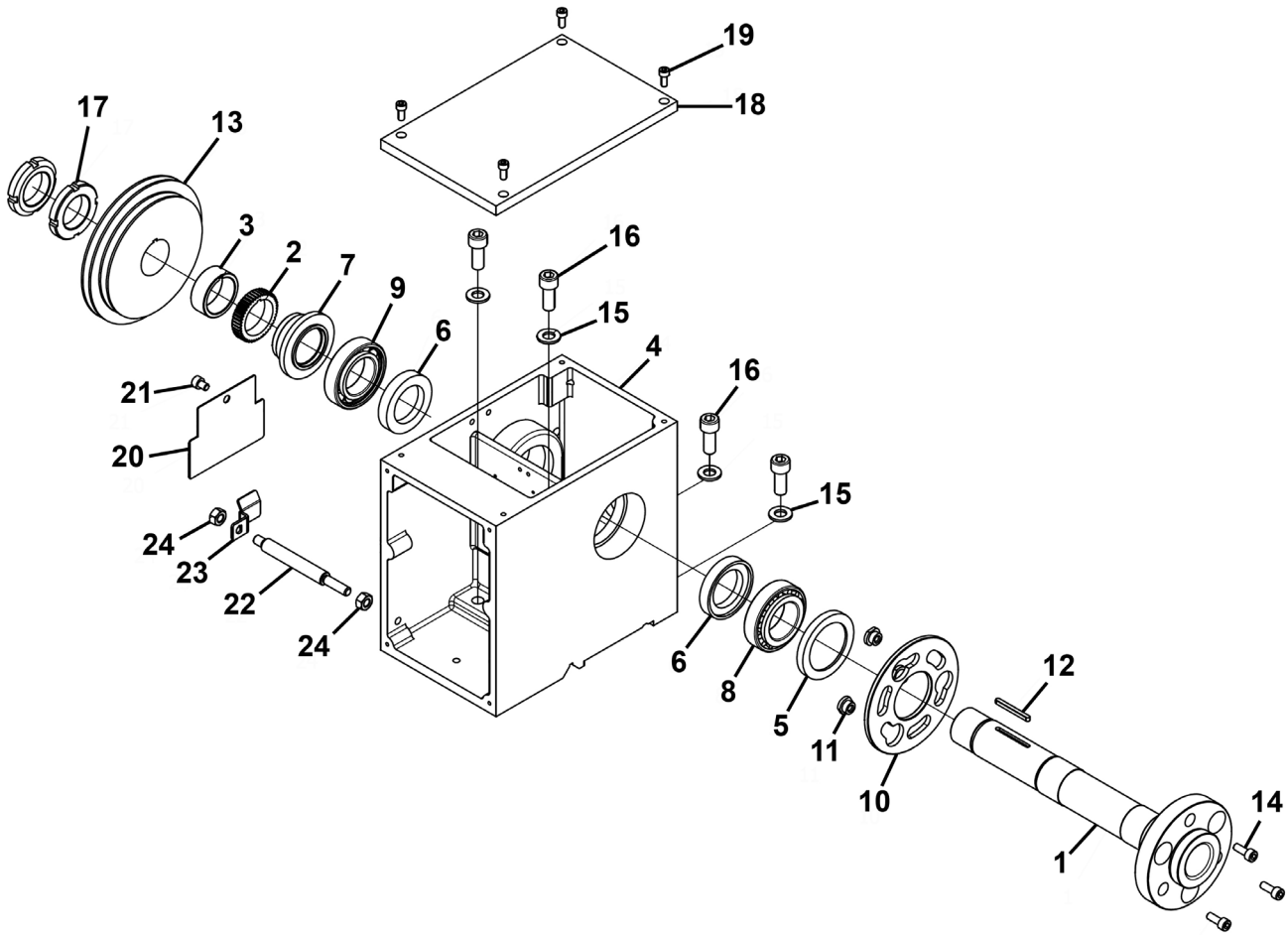
01284 757500



sales@sealey.co.uk



www.sealey.co.uk



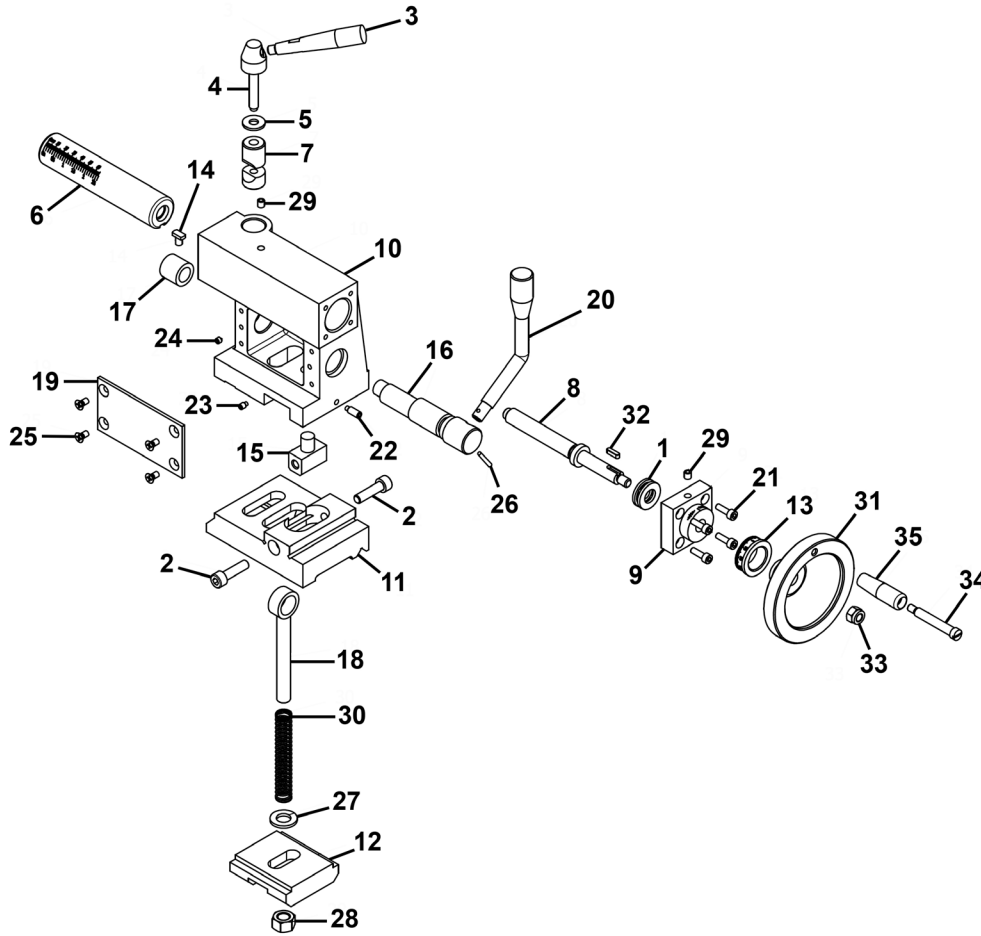
Item	Part No.	Description	Qty
1	SM27-V3-02-1	Spindle MT4	1
2	SM27-V3-02-2	Spindle Gear	1
3	SM27-V3-02-3	Spacer	2
4	SM27-V3-02-4	Spindle Gear Box	1
5	SM27-V3-02-5	Front Oil Seal Ring	1
6	SM27-V3-02-6	Oil Seal Ring	2
7	SM27-V3-02-7	Spacer	1
8	SM27-V3-02-8	Tapered Roller Bearing 32007	1
9	SM27-V3-02-9	Deep Groove Ball Bearing 600702LS	1
10	SM27-V3-02-10	Rotary Pad	1
11	SM27-V3-02-11	Positioning Sleeve	3
12	SM27-V3-02-12	Flat Key 4 x 4 x 40	1

Item	Part No.	Description	Qty
13	SM27-V3-02-13	Spindle Pulley	1
14	SCB616.S	Socket Cap Bolt M6 x 16mm	3
15	FWM10.S	Flat Washer M10 Zinc	4
16	SCB1025.S	Socket Cap Bolt M10 x 25mm	4
17	SM27-V3-02-17	Round Nut M33 x 1.5	2
18	SM27-V3-02-18	Spindle Box Cover	1
19	SCB512.SB	Socket Cap Bolt M5 x 12mm Black	4
20	SM27-V3-02-20	Guard Plate	1
21	SCB68.S	Socket Cap Bolt M6 x 8mm	1
22	SM27-V3-02-22	Door Lock Adjustment Lever	1
23	SM27-V3-02-23	Door Lock Lever	1
24	SN8.S	Steel Nut M8 Zinc	2

**NOTE:** It is our policy to continually improve products and as such we reserve the right to alter data, specifications and component parts without prior notice. There may be alternative versions of this product, please contact us should you require this information.

**IMPORTANT:** No liability is accepted for incorrect use of product. Spare parts must be fitted by a competent person

**WARRANTY:** Guarantee is 12 months from purchase date, proof of which will be required for any claim.



Item	Part No.	Description	Qty
1	B/51101	Bearing race 51101	1
2	SCB830.S	Socket Cap Bolt M8 x 30mm	2
3	SM27-V3-03-3	Handle	1
4	SM27-V3-03-4	Handle Lock Bolt	1
5	SM27-V3-03-5	Washer	1
6	SM27-V3-03-6	Tailstock Sleeve (Metric/Inch)	1
7	SM27-V3-03-7	Lock Sleeve	1
8	SM27-V3-03-8	Tailstock Leadscrew	1
9	SM27-V3-03-9	Tailstock End Cover	1
10	SM27-V3-03-10	Tailstock Body	1
11	SM27-V3-03-11	Base	1
12	SM27-V3-03-12	Tailstock Pressure Plate	1
13	SM27-V3-03-13	Index Ring	1
14	SM27-V3-03-14	T-Shape Key	1
15	SM27-V3-03-15	T-Shape Nut	1
16	SM27-V3-03-16	Eccentric Shaft	1
17	SM27-V3-03-17	Block Sleeve	1
18	SM27-V3-03-18	Lock Bolt	1

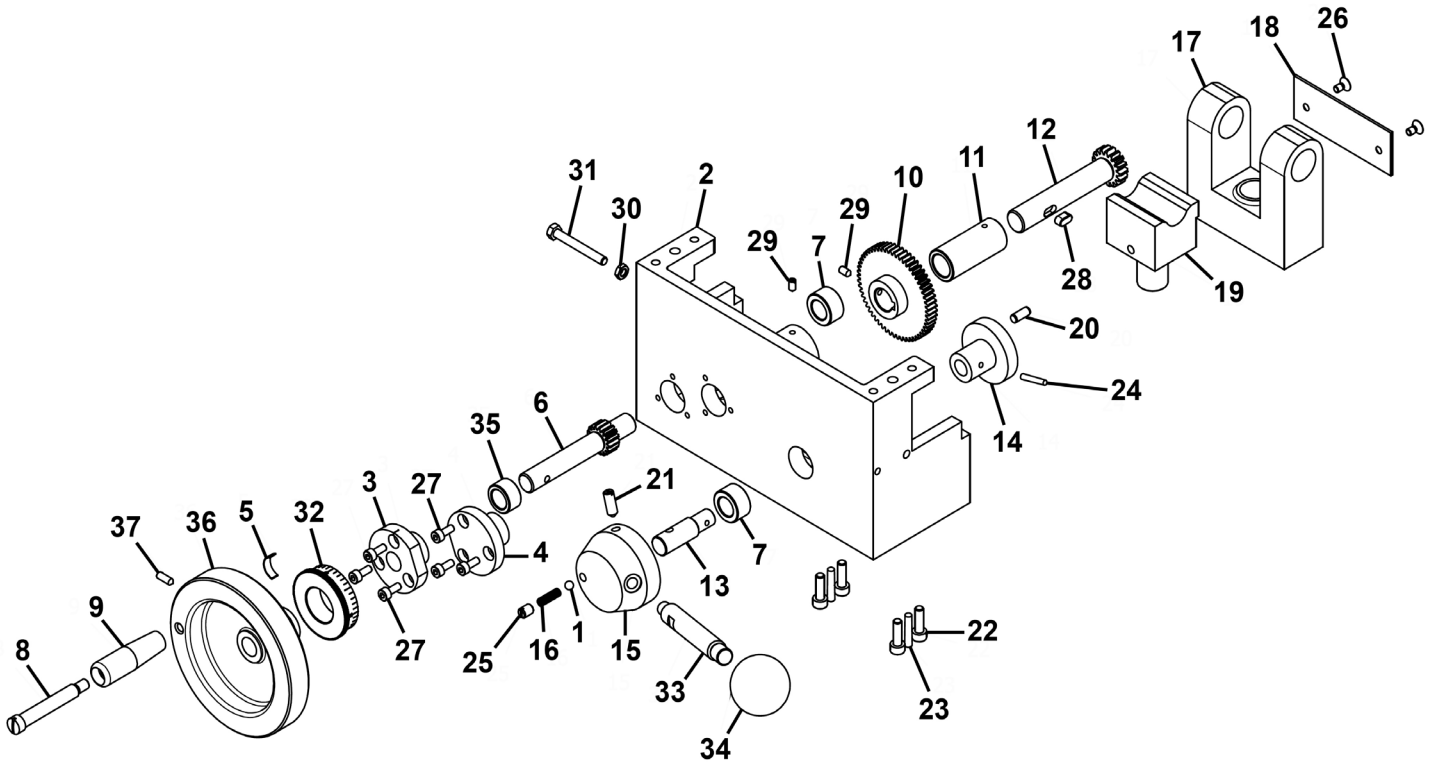
Item	Part No.	Description	Qty
19	SM27-V3-03-19	Cover	1
20	SM27-V3-03-20	Lock Handle	1
21	SCB516.S	Socket Cap Bolt M5 x 16mm	4
22	SM27-V3-03-22	Stud M5x16	1
23	SCB58.S	Socket Cap Bolt M5 x 8mm	1
24	GSM56.S	Grub Screw M5 x 6	1
25	MSC510.S	Csk Phillips Machine Screw M5 X 10 Zinc	4
26	SM27-V3-03-26	Round Pin 3x24	1
27	FWM12.S	Flat Washer M12 Zinc	1
28	SN12.S	Steel Nut M12 Zinc	1
29	SM27-V3-03-29	Oil Cup	2
30	SM27-V3-03-30	Compressed Spring (1.2 x 13.2 x 90)	1
31	SM27-V3-03-31	Aluminium Handwheel	1
32	SM27-V3-03-32	Woodruff Key (4 x 4 x 14)	1
33	NLN8.S	Nyloc Nut M8 Zinc	1
34	SM27-V3-03-34	Handle Bolt	1
35	SM27-V3-03-35	Handle Sleeve/Grip	1

**NOTE:** It is our policy to continually improve products and as such we reserve the right to alter data, specifications and component parts without prior notice. There may be alternative versions of this product, please contact us should you require this information.

**IMPORTANT:** No liability is accepted for incorrect use of product. Spare parts must be fitted by a competent person

**WARRANTY:** Guarantee is 12 months from purchase date, proof of which will be required for any claim.

Parts Information:  
**Metalworking Lathe 550mm Between  
 Centres**  
**Model No: SM27.V3**



Item	Part No.	Description	Qty
1	SB-5.0	Steel Ball 5.0mm	1
2	SM27-V3-06-2	Slide Bracket	1
3	SM27-V3-06-3	Flange Sleeve (Small)	1
4	SM27-V3-06-4	Flange Sleeve	1
5	SM27-V3-06-5	Spring Plate	1
6	SM27-V3-06-6	Gear Shaft (Small)	1
7	SM27-V3-06-7	Sleeve	2
8	SM27-V3-06-8	Handle Bolt	1
9	SM27-V3-06-9	Handle Sleeve/Grip	1
10	SM27-V3-06-10	Gear	1
11	SM27-V3-06-11	Sleeve	1
12	SM27-V3-06-12	Gear Shaft	1
13	SM27-V3-06-13	Rotate Shaft	1
14	SM27-V3-06-14	Slotted Disc	1
15	SM27-V3-06-15	Position Handle Seat	1
16	SM27-V3-06-16	Compressed Spring (0.7 x 4 x 25)	1
17	SM27-V3-06-17	Metric Nut Seat	1
18	SM27-V3-06-18	Sliding Side Panel	1
19	SM27-V3-06-19	Metric Nut	1
20	SM27-V3-06-20	Round Pin 8 x 12	1

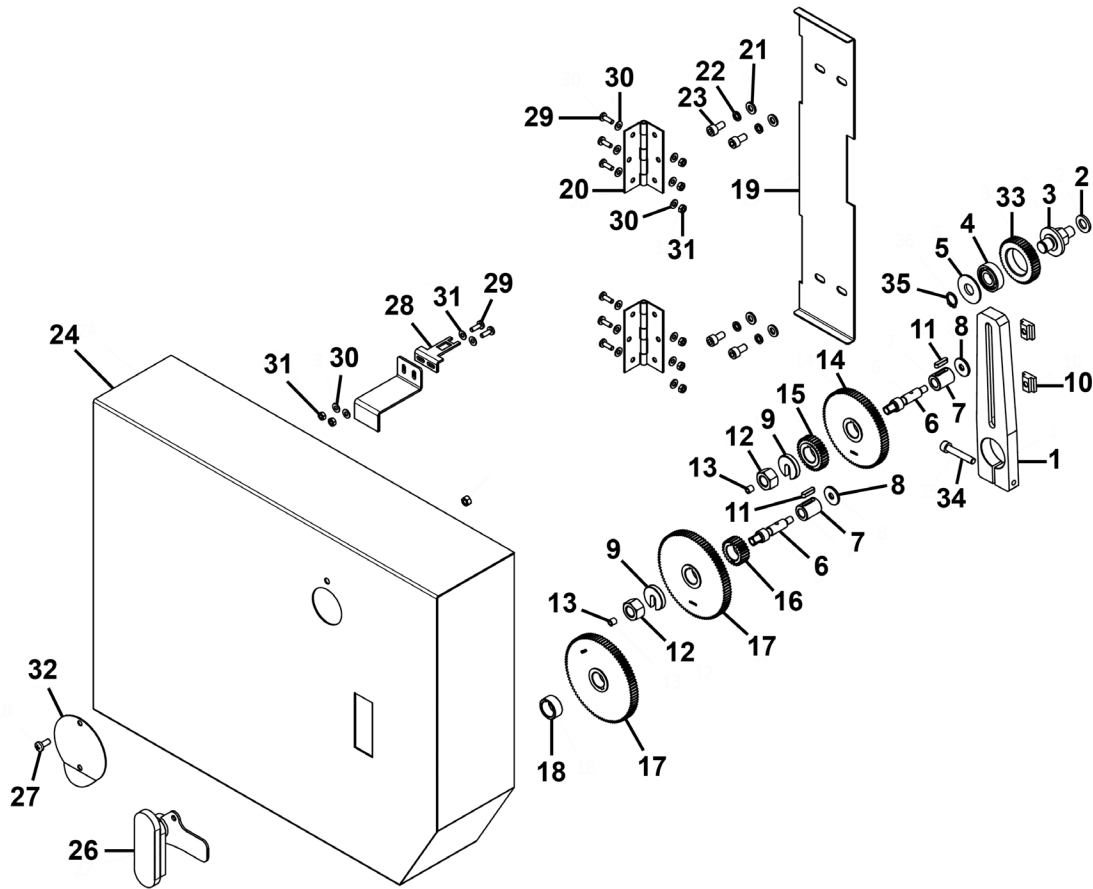
Item	Part No.	Description	Qty
21	SM27-V3-06-21	Stud M6 x 16	1
22	SCB516.S	Socket Cap Bolt M5 x 16mm	4
23	SM27-V3-06-23	Taper Pin 4 x 22	2
24	SM27-V3-06-24	Taper Pin 3 x 20	1
25	GSM68.S	Grub screw m6x8 (single)	1
26	MSC48.S	Csk Phillips Machine Screw M4 X 8 Zinc	2
27	SCB410.S	Socket Cap Bolt M4 x 10mm	6
28	SM27-V3-06-28	Flat Key 5 x 5 x 10	1
29	GSM48.S	Grub screw m4x8 (single)	2
30	SM27-V3-06-30	Thin Nut M5	1
31	HHB540.S	Hex Head Bolt M5 x 40mm	1
32	SM27-V3-06-32	Direct Reading Scale Ring	1
33	SM27-V3-06-33	Handle	1
34	SM27-V3-06-34	Knob, Plastic, Spherical, M10 Threaded Female Fitting	1
35	SM27-V3-06-35	Bushing	1
36	SM27-V3-06-36	Aluminium Handwheel	1
37	SM27-V3-06-37	Stud M4 x 12	1

**NOTE:** It is our policy to continually improve products and as such we reserve the right to alter data, specifications and component parts without prior notice. There may be alternative versions of this product, please contact us should you require this information.

**IMPORTANT:** No liability is accepted for incorrect use of product. Spare parts must be fitted by a competent person

**WARRANTY:** Guarantee is 12 months from purchase date, proof of which will be required for any claim.

Parts Information:  
**Metalworking Lathe 550mm Between Centres**  
**Model No: SM27.V3**



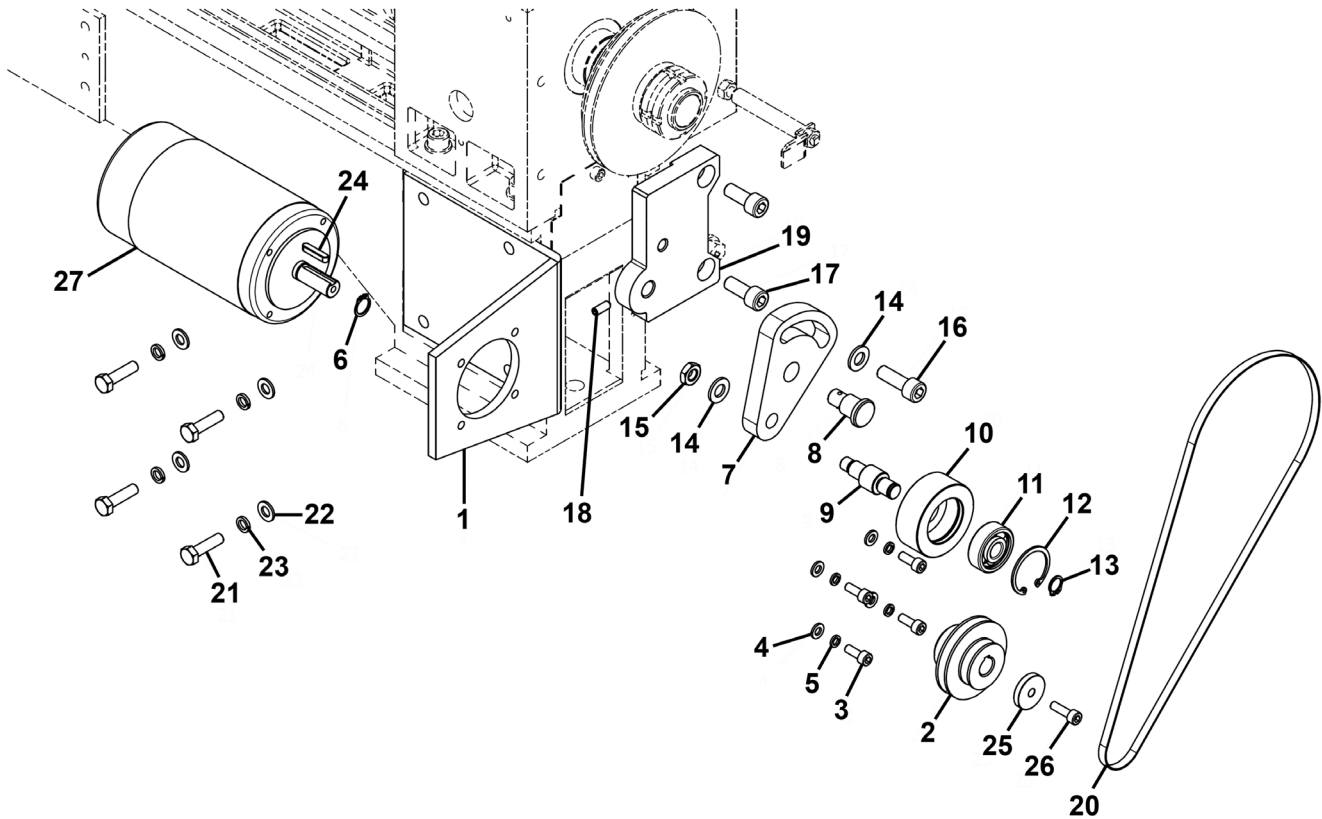
Item	Part No.	Description	Qty
1	SM27-V3-08-1	Changing Gear Plate	1
2	SM27-V3-08-2	Washer	1
3	SM27-V3-08-3	Fixed Shaft Bolt	1
4	B/6001-2RS	Bearing 6001-2rs	1
5	SM27-V3-08-5	Fixed Shaft Outer Washer	1
6	SM27-V3-08-6	Shaft	2
7	SM27-V3-08-7	Sliding Shaft Sleeve	2
8	SM27-V3-08-8	Washer	2
9	SM27-V3-08-9	Open Washer	2
10	SM27-V3-08-10	Square Nut	2
11	SM27-V3-08-11	Woodruff Key 4 x 4 x 16	2
12	SN12.S	Steel Nut M12 Zinc	2
13	SM27-V3-08-13	Oil Cup	2
14	SM27-V3-08-14	Gear (A)	1
15	SM27-V3-08-15	Gear (B)	1
16	SM27-V3-08-16	Gear (C)	1
17	SM27-V3-08-17	Gear (D)	2
18	SM27-V3-08-18	Washer	1
19	SM27-V3-08-19	Rear Panel for Box Casing	1

Item	Part No.	Description	Qty
20	SM27-V3-08-20	Hinge	2
21	FWM6.S	Flat Washer M6 Zinc	4
22	SWM6.S	Spring Washer M6 Zinc	4
23	SCB612.S	Socket Cap Bolt M6 x 12mm	4
24	SM27-V3-08-24	Box Casing	1
25	SN5.S	Steel Nut M5 Zinc	1
26	SM27-V3-08-26	Door Lock	1
27	MSP512.S	Machine Screw Pan Head Phillips M5 X 12mm	1
28	SM27-V3-08-28	Switch Key	1
29	MSP412.S	Machine Screw Pan Head Phillips M4 X 12mm	8
30	FWM4.S	Flat Washer M4	16
31	SN4.S	Steel Nut M4 Zinc	8
32	SM27-V3-08-32	Protection Cover	1
33	SM27-V3-08-33	Transition Gear	1
34	SS635.S	Hex Head Set Screw M6 X 35 Zinc	1
35	SM27-V3-08-35	External Circlip	1

**NOTE:** It is our policy to continually improve products and as such we reserve the right to alter data, specifications and component parts without prior notice. There may be alternative versions of this product, please contact us should you require this information.

**IMPORTANT:** No liability is accepted for incorrect use of product. Spare parts must be fitted by a competent person

**WARRANTY:** Guarantee is 12 months from purchase date, proof of which will be required for any claim.



Item	Part No.	Description	Qty
1	SM27-V3-15-1	Motor Connect Plate	1
2	SM27-V3-15-2	Motor Pulley	1
3	SCB616.S	Socket Cap Bolt M6 x 16mm	4
4	FWM6.S	Flat Washer M6 Zinc	4
5	SWM6.S	Spring Washer M6 Zinc	4
6	SM27-V3-15-6	External Circlip	1
7	SM27-V3-15-7	Pressure Wheel Support Plate	1
8	SM27-V3-15-8	Roller Positioning Shaft	1
9	SM27-V3-15-9	Roller Support Shaft	1
10	SM27-V3-15-10	Pinch Roller	1
11	B/6301ZZ	Bearing 6301zz	1
12	SM27-V3-15-12	Internal Circlip	1
13	SM27-V3-15-13	External Circlip	1
14	FWM10.S	Flat Washer M10 Zinc	2

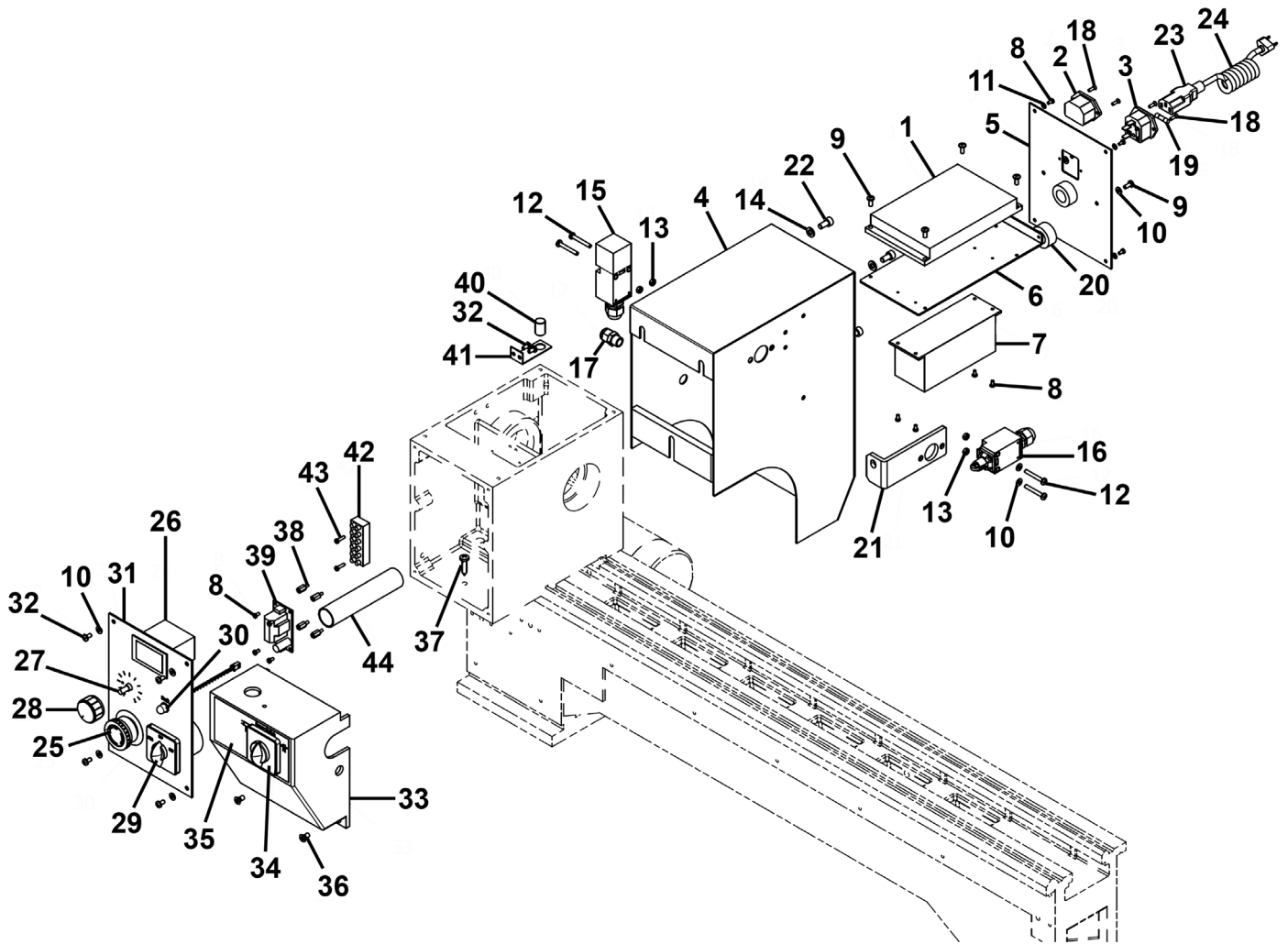
Item	Part No.	Description	Qty
15	SN10.S	Steel Nut M10 Zinc	1
16	SCB1030.S	Socket Cap Bolt M10 x 30	1
17	SCB1025.S	Socket Cap Bolt M10 x 25mm	2
18	SM27-V3-15-18	Stud M6x16	1
19	SM27-V3-15-19	Pressure Roller Bracket	1
20	SM27-V3-15-20	V-Belt	1
21	SS830.S	Hex Head Set Screw M8 X 30 Zinc	4
22	FWM8.S	Flat Washer M8 Zinc	4
23	SWM8.S	Spring Washer M8 Zinc	4
24	SM27-V3-15-24	Woodruff Key 5 x 5 x 25	1
25	SM27-V3-15-25	Retain Ring	1
26	SCB620.S	Socket Cap Bolt M6 x 20mm	1
27	SM27-V3-15-27	Motor (ZYT-750/230V)	1

**NOTE:** It is our policy to continually improve products and as such we reserve the right to alter data, specifications and component parts without prior notice. There may be alternative versions of this product, please contact us should you require this information.

**IMPORTANT:** No liability is accepted for incorrect use of product. Spare parts must be fitted by a competent person

**WARRANTY:** Guarantee is 12 months from purchase date, proof of which will be required for any claim.

Parts Information:  
**Metalworking Lathe 550mm Between Centres**  
**Model No: SM27.V3**



Item	Part No.	Description	Qty
1	SM27-V3-18-1	PC Board (FC750BJ-1/230V)	1
2	SM27-V3-18-2	Power Socket	1
3	SM27-V3-18-3	Socket with Fuse	1
4	SM27-V3-18-4	Protective Cover	1
5	SM27-V3-18-5	Electrical Protective Cover Plate	1
6	SM27-V3-18-6	Base Plate	1
7	SM27-V3-18-7	Filter	1
8	MSP36.S	Machine Screw Pan Head Phillips M3 X 6mm	12
9	MSP410.S	Machine Screw Pan Head Phillips M4 X 10mm	6
10	FWM4.S	Flat Washer M4	8
11	FWM3.S	Flat Washer M3 Zinc	4

Item	Part No.	Description	Qty
12	MSP430.S	Machine Screw Pan Head Phillips M4 X 30mm	4
13	SN4.S	Steel Nut M4 Zinc	4
14	FWM6.S	Flat Washer M6 Zinc	3
15	SM27-V3-18-15	Safety Limit Switch (A)	1
16	SM27-V3-18-16	Safety Limit Switch (B)	1
17	SM27-V3-18-17	Joint M12	1
18	MSP310.S	Machine Screw Pan Head Phillips M3 x 10mm	4
19	SM27-V3-18-19	Fuse	1
20	SM27-V3-18-20	Magnetic Ring	2
21	SM27-V3-18-21	Bracket	1
22	SCB612.S	Socket Cap Bolt M6 x 12mm	3

**NOTE:** It is our policy to continually improve products and as such we reserve the right to alter data, specifications and component parts without prior notice. There may be alternative versions of this product, please contact us should you require this information.

**IMPORTANT:** No liability is accepted for incorrect use of product. Spare parts must be fitted by a competent person

**WARRANTY:** Guarantee is 12 months from purchase date, proof of which will be required for any claim.





Parts Information:  
**Metalworking Lathe 550mm Between  
Centres**  
**Model No: SM27.V3**

Item	Part No.	Description	Qty
23	SM27-V3-18-23	Power Cord Socket	1
24	SM27-V3-18-24	Power Cord	1
25	SM27-V3-18-25	Emergency Stop Switch	1
26	SM27-V3-18-26	Display Digital Assembly	1
27	SM27-V3-18-27	Potentiometer 4.7K	1
28	SM27-V3-18-28	Potentiometer Knob	1
29	SM27-V3-18-29	Power Switch	1
30	SM27-V3-18-30	Indicator Light (Fault)	1
31	SM27-V3-18-31	Switch Panel	1
32	MSP48.S	Machine Screw Pan Head Phillips M4 X 8 mm	6
33	SM27-V3-18-33	Lower Switch Box	1
34	SM27-V3-18-34	Power Switch	1

Item	Part No.	Description	Qty
35	SM27-V3-18-35	Lower Switch Panel	1
36	MSP510.S	Machine Screw Pan Head Phillips M5 x10mm	2
37	SM27-V3-18-37	Self-Tapping Screw ST5.5 x 25	1
38	SM27-V3-18-38	Isolation Column (Hex)	4
39	SM27-V3-18-39	Power Panel	1
40	SM27-V3-18-40	Probe	1
41	SM27-V3-18-41	Probe Bracket	1
42	SM27-V3-18-42	Terminal Block	1
43	MSP314.S	Machine Screw Pan Head Phillips M3 x 14mm	2
44	SM27-V3-18-44	Plastic Pipe	1

**NOTE:** It is our policy to continually improve products and as such we reserve the right to alter data, specifications and component parts without prior notice. There may be alternative versions of this product, please contact us should you require this information.

**IMPORTANT:** No liability is accepted for incorrect use of product. Spare parts must be fitted by a competent person

**WARRANTY:** Guarantee is 12 months from purchase date, proof of which will be required for any claim.

**Sealey Group**, Kempson Way, Suffolk Business Park, Bury St Edmunds, Suffolk. IP32 7AR



01284 757500

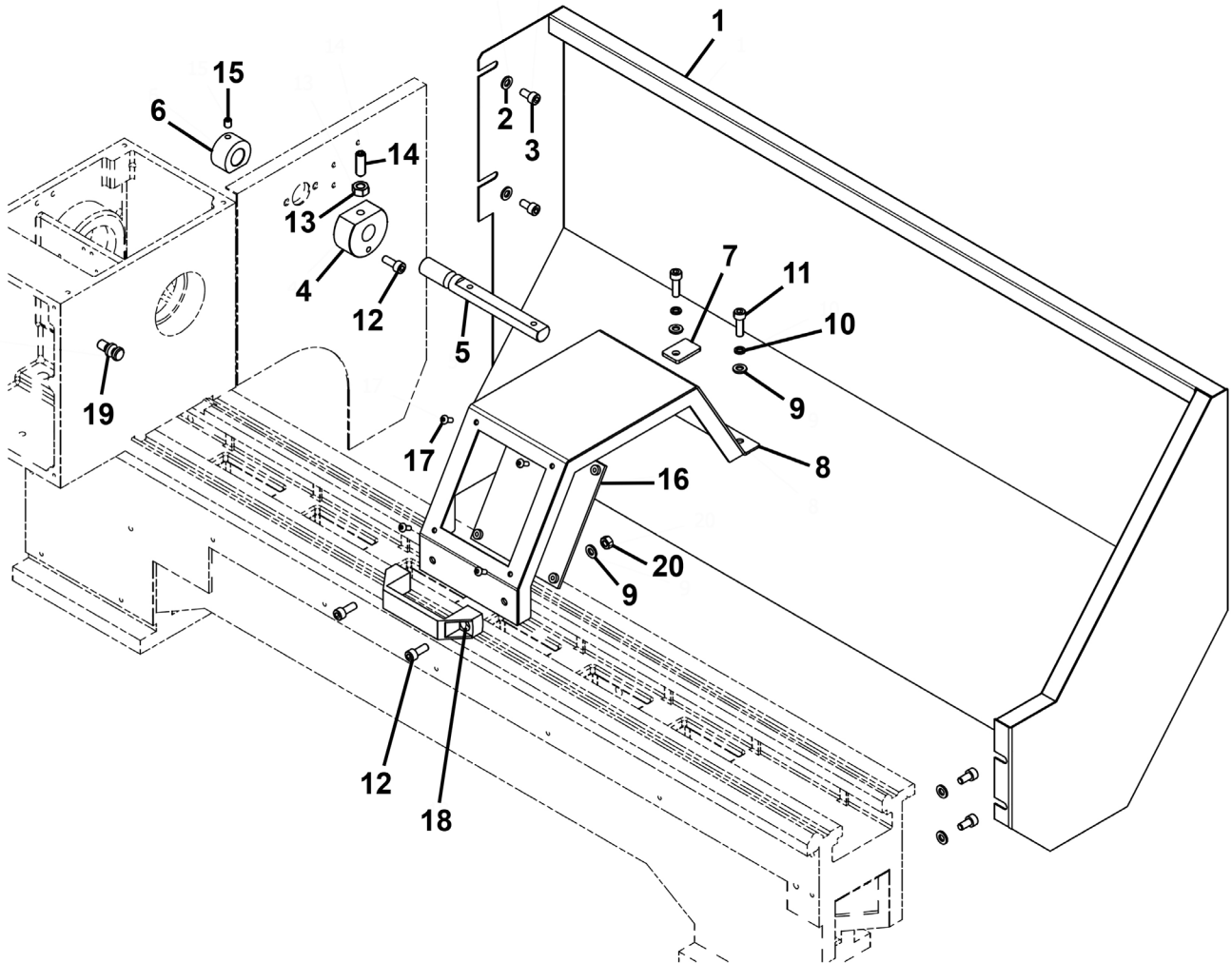


sales@sealey.co.uk



www.sealey.co.uk

Parts Information:  
**Metalworking Lathe 550mm Between  
 Centres**  
**Model No: SM27.V3**



Item	Part No.	Description	Qty
1	SM27-V3-23-1	Protective Plate Body	1
2	FWM6.S	Flat Washer M6 Zinc	4
3	SCB612.S	Socket Cap Bolt M6 x 12mm	4
4	SM27-V3-23-4	Rotate Shaft Seat	1
5	SM27-V3-23-5	Rotate Shaft	1
6	SM27-V3-23-6	Eccentric Wheel	1
7	SM27-V3-23-7	Stop Plate	1
8	SM27-V3-23-8	Chuck Protective Cover Body	1
9	FWM6.S	Flat Washer M6 Zinc	4
10	SWM6.S	Spring Washer M6 Zinc	2
11	SCB620.S	Socket Cap Bolt M6 x 20mm	2

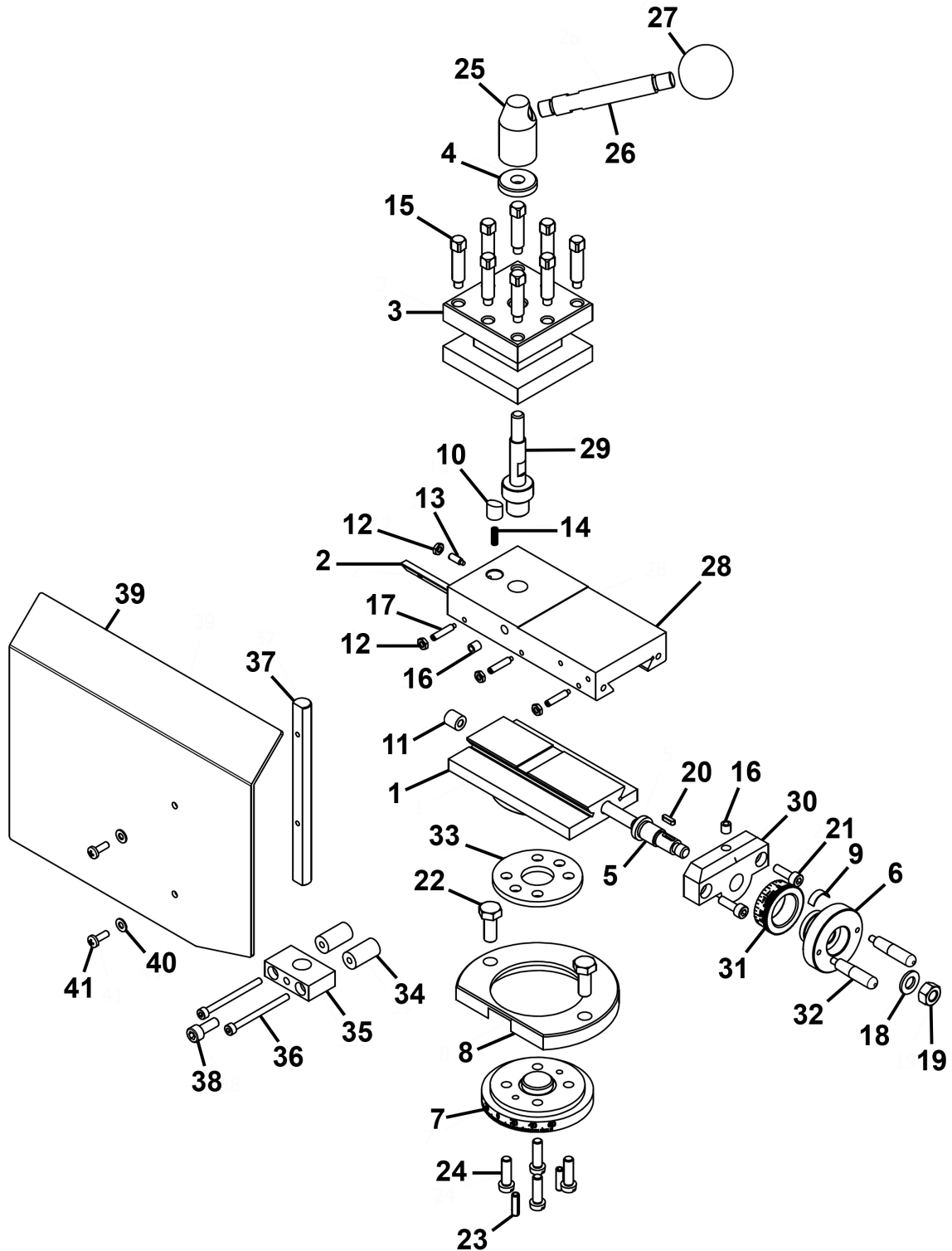
Item	Part No.	Description	Qty
12	SCB616.S	Socket Cap Bolt M6 x 16mm	3
13	SN8.S	Steel Nut M8 Zinc	1
14	SM27-V3-23-14	Stud M8x25	1
15	GSM68.S	Grub screw m6x8 (single)	1
16	SM27-V3-23-16	Eyeshield	1
17	MSP410.S	Machine Screw Pan Head Phillips M4 X 10mm	4
18	SM27-V3-23-18	Handle for Cover Body	1
19	SM27-V3-23-19	Positioning Pin (Short)	1
20	SN8.S	Steel Nut M8 Zinc	2

**NOTE:** It is our policy to continually improve products and as such we reserve the right to alter data, specifications and component parts without prior notice. There may be alternative versions of this product, please contact us should you require this information.

**IMPORTANT:** No liability is accepted for incorrect use of product. Spare parts must be fitted by a competent person

**WARRANTY:** Guarantee is 12 months from purchase date, proof of which will be required for any claim.

Parts Information:  
**Metalworking Lathe 550mm Between  
 Centres**  
**Model No: SM27.V3**



**NOTE:** It is our policy to continually improve products and as such we reserve the right to alter data, specifications and component parts without prior notice. There may be alternative versions of this product, please contact us should you require this information.

**IMPORTANT:** No liability is accepted for incorrect use of product. Spare parts must be fitted by a competent person

**WARRANTY:** Guarantee is 12 months from purchase date, proof of which will be required for any claim.



Parts Information:  
**Metalworking Lathe 550mm Between  
Centres**  
**Model No: SM27.V3**

Item	Part No.	Description	Qty
1	SM27-V3-04A-1	Knife Holder Turntable	1
2	SM27-V3-04A-2	Wedge	1
3	SM27-V3-04A-3	Square Knife Holder	1
4	SM27-V3-04A-4	Washer	1
5	SM27-V3-04A-5	Dragging Plate Shaft (Small)	1
6	SM27-V3-04A-6	Handwheel (Small)	1
7	SM27-V3-04A-7	Knife Holder Turntable Seat	1
8	SM27-V3-04A-8	Gland	1
9	SM27-V3-04A-9	Spring Plate	1
10	SM27-V3-04A-10	Position Pin	1
11	SM27-V3-04A-11	Oil Cup	1
12	SM27-V3-04A-12	Thin Nut M4	4
13	SM27-V3-04A-13	Setting Screw M4x12	1
14	SM27-V3-04A-14	Compressed Spring (0.5 x 3.5 x 17)	1
15	SM27-V3-04A-15	Square Head Screw M8x30	8
16	SM27-V3-04A-16	Oil Cup	2
17	SM27-V3-04A-17	Setting Screw M4x20	3
18	FWM8.S	Flat Washer M8 Zinc	1
19	SN8.S	Steel Nut M8 Zinc	1
20	SM27-V3-04A-20	Flat Key (3 x 3 x 10)	1
21	SCB516.S	Socket Cap Bolt M5 x 16mm	2
22	SS820.S	Hex Head Set Screw M8 X 20 Zinc	2

Item	Part No.	Description	Qty
23	SM27-V3-04A-23	Spring Pin 4 x 16	2
24	MSP620.S	Machine Screw Pan Head Phillips M6 x 20mm	4
25	SM27-V3-04A-25	Knife Holder Clamping Nut	1
26	SM27-V3-04A-26	Knife Holder Handle	1
27	SM27-V3-04A-27	Knob, Plastic, Spherical, M10 Threaded Female Fitting	1
28	SM27-V3-04A-28	Quick Change Tool Holder Plate	1
29	SM27-V3-04A-29	Shouldered Knife Holder Rod	1
30	SM27-V3-04A-30	Screw Support	1
31	SM27-V3-04A-31	Scale Ring	1
32	SM27-V3-04A-32	Handle	2
33	SM27-V3-04A-33	Base Plate	1
34	SM27-V3-04A-34	Bush	2
35	SM27-V3-04A-35	Heel Block	1
36	SCB450.SB	Socket Cap Bolt M4 x 50 Black	2
37	SM27-V3-04A-37	Rotate Shaft	1
38	SCB616.S	Socket Cap Bolt M6 x 16mm	1
39	SM27-V3-04A-39	Knife Holder Protective Cover	1
40	FWM4.S	Flat Washer M4	2
41	MSP412.S	Machine Screw Pan Head Phillips M4 X 12mm	2

**NOTE:** It is our policy to continually improve products and as such we reserve the right to alter data, specifications and component parts without prior notice. There may be alternative versions of this product, please contact us should you require this information.

**IMPORTANT:** No liability is accepted for incorrect use of product. Spare parts must be fitted by a competent person

**WARRANTY:** Guarantee is 12 months from purchase date, proof of which will be required for any claim.

Sealey Group, Kempson Way, Suffolk Business Park, Bury St Edmunds, Suffolk. IP32 7AR



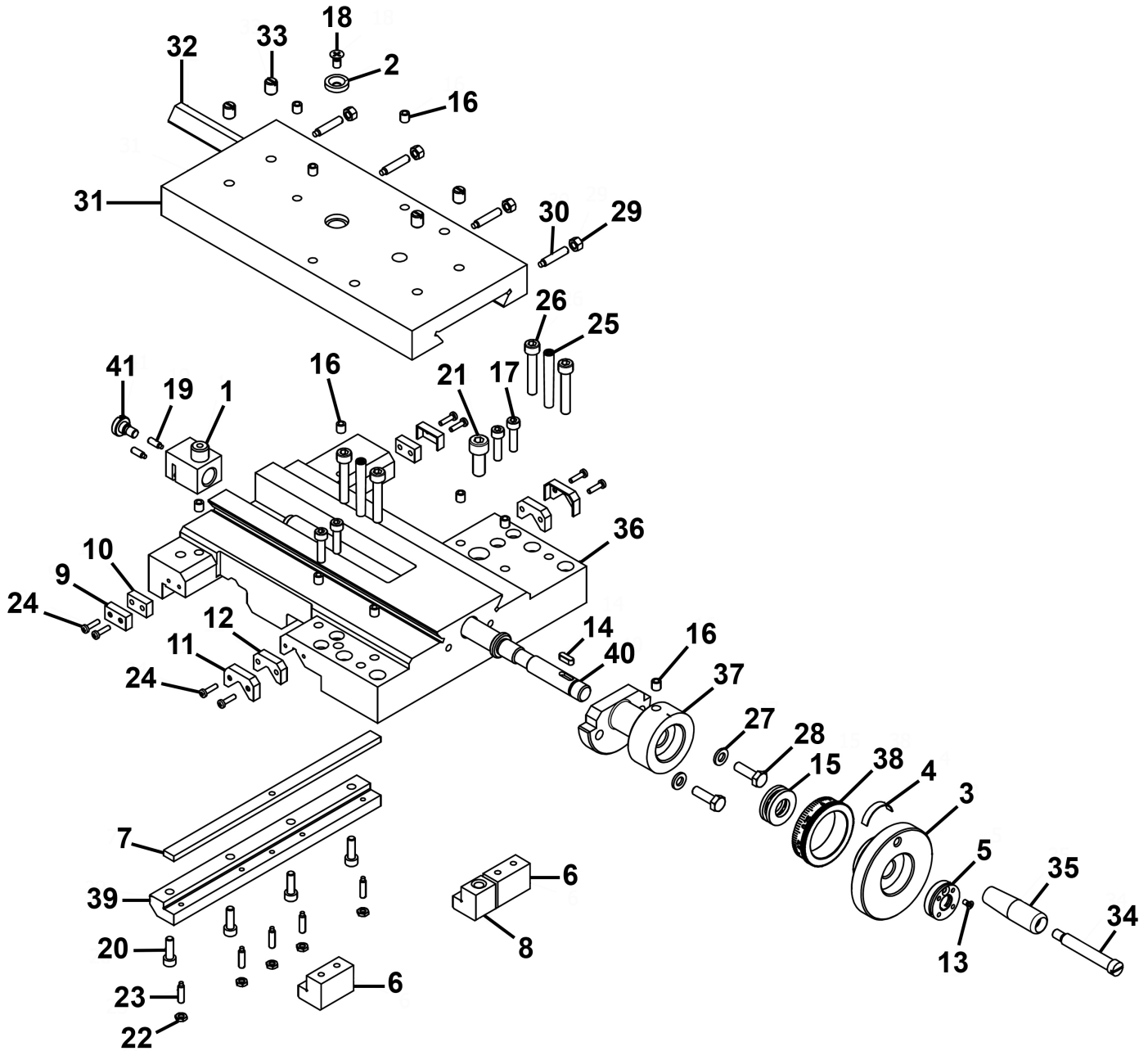
01284 757500



sales@sealey.co.uk



www.sealey.co.uk



**NOTE:** It is our policy to continually improve products and as such we reserve the right to alter data, specifications and component parts without prior notice. There may be alternative versions of this product, please contact us should you require this information.

**IMPORTANT:** No liability is accepted for incorrect use of product. Spare parts must be fitted by a competent person

**WARRANTY:** Guarantee is 12 months from purchase date, proof of which will be required for any claim.



Parts Information:  
**Metalworking Lathe 550mm Between  
Centres**  
**Model No: SM27.V3**

Item	Part No.	Description	Qty
1	SM27-V3-05A-1	Cross Nut	1
2	SM27-V3-05A-2	Washer	1
3	SM27-V3-05A-3	Handwheel	1
4	SM27-V3-05A-4	Spring Plate	1
5	SM27-V3-05A-5	Roundnut with Locking	1
6	SM27-V3-05A-6	Bed Saddle Front Pressure Plate	2
7	SM27-V3-05A-7	Rear Pressure Plate Stopper Beam	1
8	SM27-V3-05A-8	Brake Pressure Plate	1
9	SM27-V3-05A-9	Protective Plate (A)	2
10	SM27-V3-05A-10	Oil Blocking Felt (A)	2
11	SM27-V3-05A-11	Protective Plate (B)	2
12	SM27-V3-05A-12	Oil Blocking Felt (B)	2
13	MSP36.S	Machine Screw Pan Head Phillips M3 X 6mm	1
14	SM27-V3-05A-14	Flat Key 4 x 4 x 12	1
15	B/51101	Bearing race 51101	1
16	SM27-V3-05A-16	Oil Cup	10
17	SCB520.S	Socket Cap Bolt M5 x 20mm	4
18	MSC510.S	Csk Phillips Machine Screw M5 X 10 Zinc	1
19	SM27-V3-05A-19	Setting Screw M4x12	2
20	SCB516.S	Socket Cap Bolt M5 x 16mm	4
21	SCB820.S	Socket Cap Bolt M8 x 20mm	1

Item	Part No.	Description	Qty
22	SM27-V3-05A-22	Thin Nut M4	5
23	SM27-V3-05A-23	Setting Screw M4x16	5
24	MSP314.S	Machine Screw Pan Head Phillips M3 x 14mm	8
25	SM27-V3-05A-25	Taper Pin 6x45	2
26	SCB635.S	Socket Cap Bolt M6 x 35mm	4
27	FWM6.S	Flat Washer M6 Zinc	2
28	SS620.S	Hex Head Set Screw M6 X 20 Zinc	2
29	SN5.S	Steel Nut M5 Zinc	4
30	SM27-V3-05A-30	Stud M5x25	4
31	SM27-V3-05A-31	Bed Saddle Board	1
32	SM27-V3-05A-32	Wedge	1
33	GSM810.S	Grub screw m8x10 (single)	4
34	SM27-V3-05A-34	Handle Bolt	1
35	SM27-V3-05A-35	Handle Sleeve/Grip	1
36	SM27-V3-05A-36	Saddle	1
37	SM27-V3-05A-37	Leadscrew Bracket	1
38	SM27-V3-05A-38	Direct Reading Scale Ring	1
39	SM27-V3-05A-39	Bed Saddle Rear Pressure Plate	1
40	SM27-V3-05A-40	Bad Saddle Screw	1
41	SM27-V3-05A-41	Screw Rod Stop Screw	1

**NOTE:** It is our policy to continually improve products and as such we reserve the right to alter data, specifications and component parts without prior notice. There may be alternative versions of this product, please contact us should you require this information.

**IMPORTANT:** No liability is accepted for incorrect use of product. Spare parts must be fitted by a competent person

**WARRANTY:** Guarantee is 12 months from purchase date, proof of which will be required for any claim.

Sealey Group, Kempson Way, Suffolk Business Park, Bury St Edmunds, Suffolk. IP32 7AR



01284 757500



sales@sealey.co.uk



www.sealey.co.uk