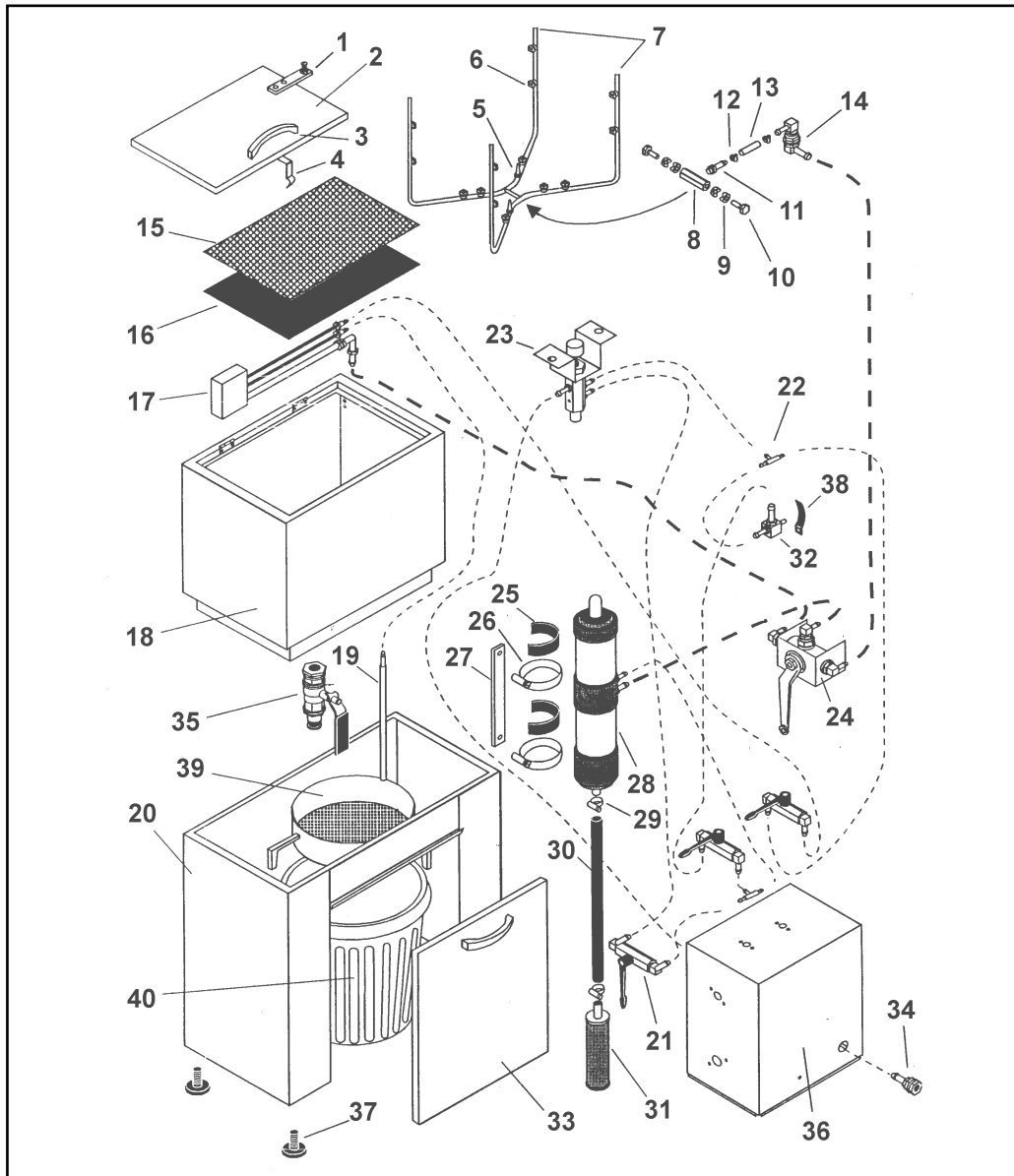


PARTS LIST FOR: SPRAY GUN CLEANING TANK Model: SM2599



| ITEM | PART NO | DESCRIPTION |
|------|-------------|--------------------------|
| 1 | SM2599/01 | LID LOCK ACTIVATING BAR |
| 2 | SM2599/02 | TANK LID |
| 3 | SM2599/03 | LID HANDLE |
| 4 | SM2599/04 | LID LOCKING SPRING |
| 5 | SM2599/05 | TAPERED NOZZLE JET |
| 6 | SM2599/06 | WIDE ANGLE JET |
| 7 | SM2599/07 | SPRAY BAR |
| 8 | SM2599/08 | CONNECTOR (SPRAY BAR) |
| 9 | SM2599/09 | SADDLE WASHER |
| 10 | SM2599/10 | BANJO BOLT |
| 11 | SM2599/11 | UNION |
| 12 | SM2599/12 | HOSE CLIP |
| 13 | SM2599/13 | HOSE COUPLING |
| 14 | SM2599/14 | INLET FITTING |
| 14A | SM2599/14-A | WASHER |
| 14B | SM2599/14-B | ELBOW |
| 14C | SM2599/14-C | NUT |
| 15 | SM2599/15 | WORKSCREEN |
| 16 | SM2599/16 | GRID FILTER |
| 17 | SM2599/17 | WASH BLOCK ASSEMBLY |
| 18 | SM2599/18 | WASH TANK |
| 19 | SM2599/19 | CLEAN RINSE PICK UP TUBE |
| 20 | SM2599/20 | BASE CABINET |
| 21 | SM2599/21 | ON/OFF VALVE |
| 22 | SM2599/22 | AIR "T" PIECE |
| 23 | SM2599/23 | LID LOCK VALVE ASSEMBLY |
| 24 | SM2599/24 | MODE VALVE |
| 25 | SM2599/25 | PUMP MOUNTING RUBBER |
| 26 | SM2599/26 | PUMP MOUNTING CLIP |
| 27 | SM2599/27 | PUMP MOUNTING BRACKET |
| 28 | SM2599/28 | PUMP |
| 29 | SM2599/29 | HOSE CLIP |
| 30 | SM2599/30 | CONVALUTED SUCTION HOSE |
| 31 | SM2599/31 | SUCTION FILTER |
| 32 | SM2599/32 | AIR VALVE |
| 33 | SM2599/33 | BASE CABINET DOOR |
| 34 | SM2599/34 | AIR INLET |
| 34A | SM2599/34-A | WASHER |
| 34B | SM2599/34-B | NUT |
| 34C | SM2599/34-C | UNION |
| 35 | SM2599/35 | DRAIN CLOSURE ASSEMBLY |
| 36 | SM2599/36 | CONTROL BOX |
| 37 | SM2599/37 | ADJUSTABLE FOOT |
| 38 | SM2599/38 | MODE VALVE |
| 39 | SM2599/39 | STAINLESS STEEL BASKET |
| 40 | SM2599/40 | BUCKET |

Original Date:-
 Issue Date:-
 Version Nbr:- 0
 Date Modified:- N/A

Sole UK Distributor,
Sealey Group,
 Bury St. Edmunds, Suffolk.

 **01284 757500**

 **01284 703534**

E-mail:
sales@sealey.co.uk