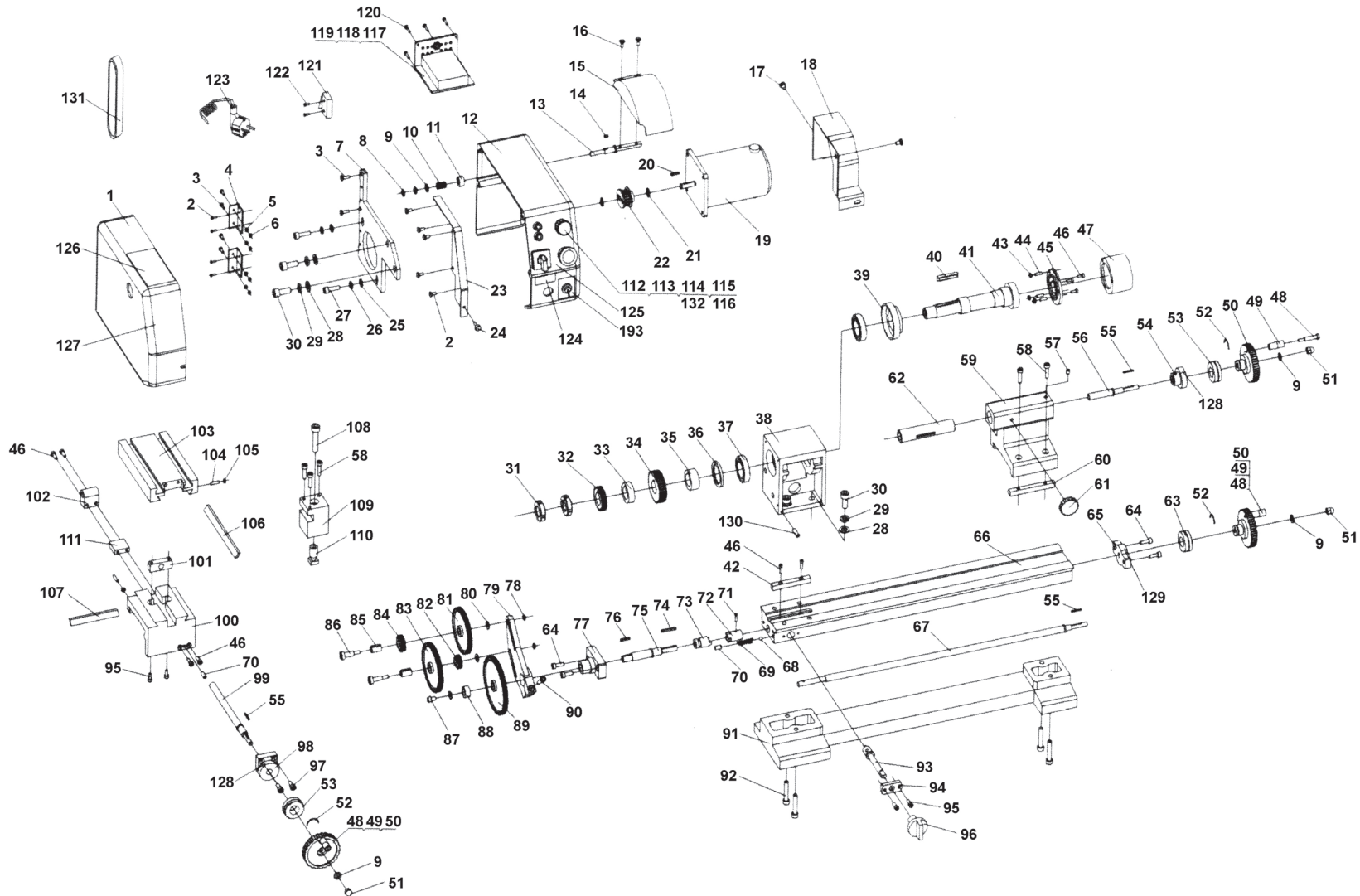




Parts Information: Mini Lathe & Drilling Machine Model No: SM2503



NOTE: It is our policy to continually improve products and as such we reserve the right to alter data, specifications and component parts without prior notice.

IMPORTANT: No liability is accepted for incorrect use of product.

WARRANTY: Guarantee is 12 months from purchase date, proof of which will be required for any claim.

Sealey Group, Kempson Way, Suffolk Business Park, Bury St Edmunds, Suffolk. IP32 7AR



01284 757500



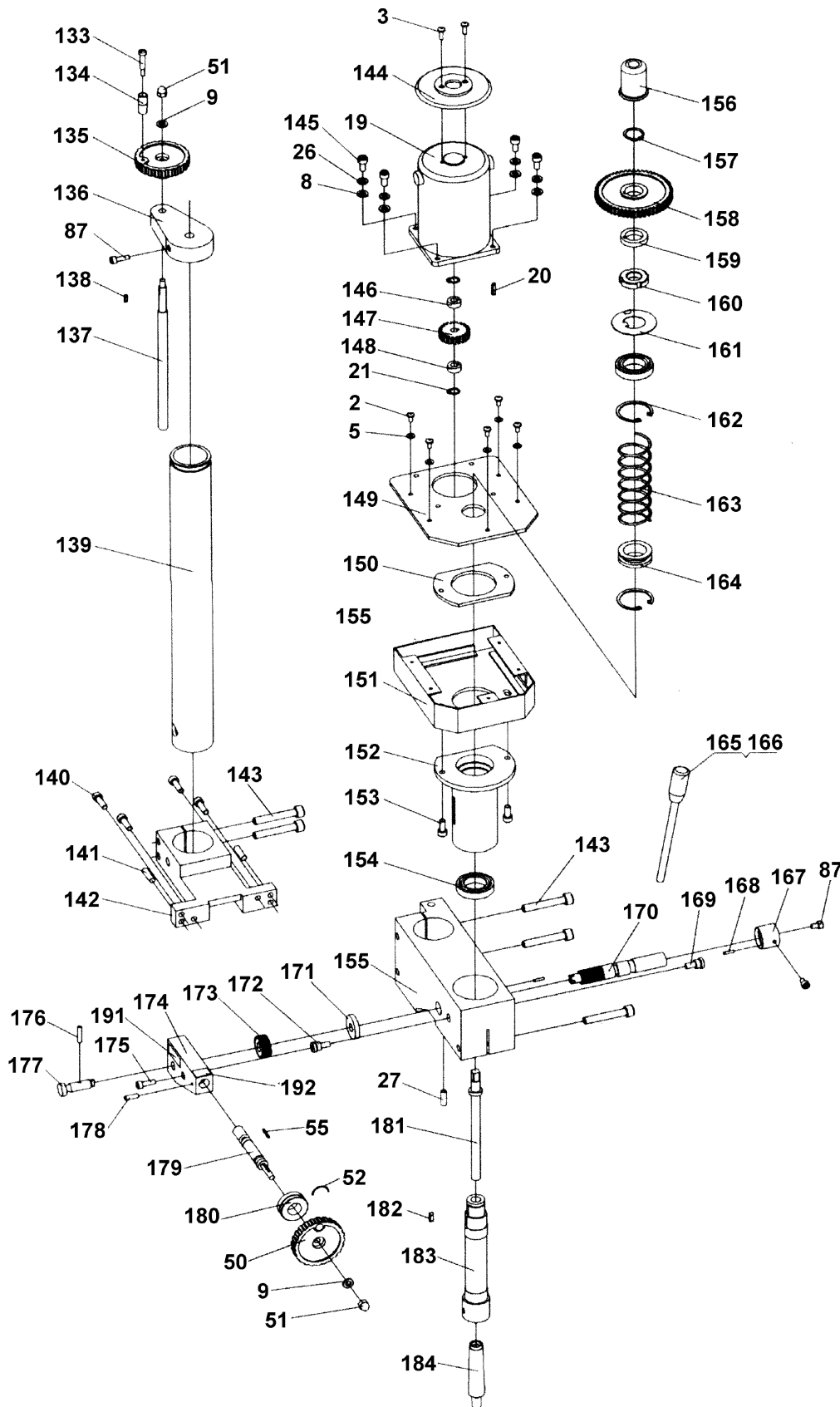
01284 703534



sales@sealey.co.uk



www.sealey.co.uk



NOTE: It is our policy to continually improve products and as such we reserve the right to alter data, specifications and component parts without prior notice.

IMPORTANT: No liability is accepted for incorrect use of product.

WARRANTY: Guarantee is 12 months from purchase date, proof of which will be required for any claim.



Parts Information:
Mini Lathe & Drilling Machine
Model No: SM2503

Item	Part No.	Description
1	SM2503.001	CHANGE GEAR COVER
2	SM2503.002	CAP SCREW M4x8
3	SM2503.003	CAP SCREW M4x12
4	SM2503.004	HINGE L*B=38*31
5	SM2503.005	WASHER 4
6	SN4.S	STEEL NUT M4 ZINC DIN934 (SINGLE)
7	SM2503.007	CANTILEVER
8	SM2503.008	M6 HALF NUT S/C
9	FWM6.SB	FLAT WASHER M6 BLACK (SINGLE)
10	SM2503.010	COMPRESSION SPRING
11	SM2503.011	SPACING RING
12	SM2503.012	COVER FOR SPINDLE BOX
--	SM2503.012-01	VARIABLE SPEED CONTROL
--	SM2503.012-02	FEED CLUTCH KNOB
13	SM2503.013	ROTATE SPINDLE
14	SM2503.014	KEY 3x6
15	SM2503.015	PROTECT COVER FOR CHUCK
16	SM2503.016	CAP SCREW M4x8
17	SM2503.017	CAP SCREW M5x8
18	SM2503.018	REAR SPLASH GUARD
19	SM2503.019	MOTOR
20	SM2503.020	KEY 3x16
21	SM2503.021	CHECK RING 8
22	SM2503.022	TIMING PULLEY
23	SM2503.023	SUPPORT PLATE
24	SM2503.024	SCREW M4x8
25	SM2503.025	WASHER 6
26	SM2503.026	SPRING WASHER 6
27	SM2503.027	SCREW M6x20
28	SM2503.028	WASHER 8
29	SM2503.029	SPRING WASHER 8
30	SM2503.030	SCREW M8x20
31	SN18.S	STEEL NUT M18 ZINC DIN934(SINGLE)
32	SM2503.032	SPINDLE GEAR
33	SM2503.033	SPACING RING (I)
34	SM2503.034	SPINDLE TIMING PULLEY
35	SM2503.035	SPACING RING (II)
36	SM2503.036	BEHIND OIL SEAL (RING)
37	B/30205	BEARING 30205
38	SM2503.038	SPINDLE BOX
39	SM2503.039	FRONT OIL SEAL (RING)
40	SM2503.040	KEY 6x36
41	SM2503.041	SPINDLE
42	SM2503.042	KEY
43	SN6.S	STEEL NUT M6 ZINC DIN934 (SINGLE)
44	SM2503.044	SCREW M6x25

Item	Part No.	Description
45	SM2503.045	CHUCK FLANGE
46	SM2503.046	ROUND CAP SCREW M4x12
47	SM2503.047	80mm 3-JAW CHUCK
48	SM2503.048	HANDLE SCREW (SET OF 3)
49	SM2503.049	SMALL HANDLE
50	SM2503.050	HANDWHEEL
51	SN6.SD	STEEL NUT M6 DOMED (SINGLE)
52	SM2503.052	SPRING STEEL
53	SM2503.053	DIAL
54	SM2503.054	SCREW BASE
55	SM2503.055	KEY 2x18
56	SM2503.056	TAILSTOCK SCREW
57	SM2503.057	SCREW M5x8
58	SCB520.SB	SOCKET HEAD CAP SCREW M5x20 BLACK
59	SM2503.059	TAILSTOCK CASTING
60	SM2503.060	WEDGE
61	SM2503.061	LOCK HANDLE
62	SM2503.062	TAILSTOCK QUILL
63	SM2503.063	DIAL
64	SM2503.064	SCREW M5x14
65	SM2503.065	SCREW BRACKET
66	SM2503.066	BED LEAD RAIL
67	SM2503.067	LEADSCREW
68	SB-6.4	STEEL BALL 6.4mm
69	SM2503.069	COMPRESSION SPRING
70	SM2503.070	SCREW M6x10
71	SM2503.071	PIN 3x14
72	SM2503.072	CLUTCH BRACKET
73	SM2503.073	CLUTCH
74	SM2503.074	KEY 3x22
75	SM2503.075	SHAFT
76	SM2503.076	KEY 3x14
77	SM2503.077	GEAR SHAFT BRACKET
78	SN5.S	STEEL NUT M5 ZINC DIN934 (SINGLE)
79	SM2503.079	SUPPORT PLATE
80	SM2503.080	WASHER
81	SM2503.081	CHANGE GEAR Z=72
82	SM2503.082	CHANGE GEAR Z=19
83	SM2503.083	CHANGE GEAR Z=76
84	SM2503.084	CHANGE GEAR Z=24
85	SM2503.085	GEAR SLEEVE
86	SM2503.086	GEAR SHAFT
87	SM2503.087	SCREW M5x8
88	SM2503.088	SPACING RING
89	SM2503.089	CHANGE GEAR Z=90
90	SM2503.090	SCREW M5x25





Parts Information:
Mini Lathe & Drilling Machine
Model No: SM2503

Item	Part No.	Description
91	SM2503.091	BED BASE
92	SM2503.092	SCREW M6x35
93	SM2503.093	UNPLUG SHAFT
94	SM2503.094	DAM BOARD
95	SM2503.095	SCREW M4x10
96	SM2503.096	CLUTCH ROTATE KNOB
97	SM2503.097	SCREW M5x12
98	SM2503.098	LEADSCREW BRACKET
99	SM2503.099	CROSS SLIDE SCREW M4x16
100	SM2503.100	SADDLE
101	SM2503.101	CROSS SLIDE NUT
102	SM2503.102	LEADSCREW NUT
103	SM2503.103	CROSS SLIDE
104	SM2503.104	SCREW M4x16
105	SN4.S	STEEL NUT M4 ZINC DIN934 (SINGLE)
106	SM2503.106	CROSS SLIDE WEDGE
107	SM2503.107	GIB STRIP
108	SCB840.SB	SOCKET HEAD CAP SCREW M8x40 BLACK
109	SM2503.109	TOOL REST
110	SM2503.110	TOOL REST SHAFT
111	SM2503.111	CONNECT BLOCK
112	SM2503.112	POTENTIOMETER
113	SM2503.113	EMERGENCY STOP SWITCH
114	SM2503.114	FORWARD/OFF/REVERSE SWITCH
115	SM2503.115	POWER INDICATOR LIGHT, 220V
116	SM2503.116	FUSE BOX
117	SM2503.117	PC BOARD
--	SM2503.117N	PC BOARD
118	SM2503.118	LOCK CONNECT
119	SM2503.119	PC BOARD BOX
120	SM2503.120	SCREW ST2.9x10
121	SM2503.121	MICRO SWITCH
122	SM2503.122	SCREW ST1.9x10
123	SM2503.123	POWER CORD WITH PLUG
130	SM2503.130	SCREW M5x12
131	SM2503.131	TIMING BELT
132	SM2503.114	FORWARD/OFF/REVERSE SWITCH
133	SM2503.133	BOLT M6x55
134	SM2503.134	HANDLE SLEEVE
135	SM2503.135	HANDWHEEL
136	SM2503.136	LEADSCREW BRACKET
137	SM2503.137	LIFTER
138	SM2503.138	KEY 3x10
139	SM2503.139	COLUMN
140	SM2503.140	SCREW M6x18

Item	Part No.	Description
141	SM2503.141	PIN 6x24
142	SM2503.142	COLUMN BRACKET
143	SM2503.143	SCREW M8x50
144	SM2503.144	PROTECTING COVER FOR MOTOR
145	SM2503.145	SCREW M6x12
146	SM2503.146	SPACING RING
147	SM2503.147	MOTOR GEAR
148	SM2503.148	SPACING RING
149	SM2503.149	COVER UP PLATE
150	SM2503.150	QUILL FIXED PLATE
151	SM2503.151	GEAR BOX
152	SM2503.152	SPINDLE QUILL
153	SM2503.153	SCREW M6x14
154	SM2503.154	BEARING
155	SM2503.155	SPINDLE BASE
156	SM2503.156	SAFETY COVER
157	SM2503.157	CHECK RING 20
158	SM2503.158	SPINDLE GEAR (Z=55)
159	SM2503.159	SPACING RING
160	SM2503.160	ROUND NUT M24x1.5
161	SM2503.161	WASHER 24
162	SM2503.162	CHECK RING 38
163	SM2503.163	COMPRESSION SPRING
164	SM2503.164	SPRING SUPPORT
165	SM2503.165	HAND SHANK
166	SM2503.166	LEVER CAP M8x40
167	SM2503.167	READ OUT SLEEVE
168	SM2503.168	SPRING PIN 3x12
169	SM2503.169	SITE SCREW
170	SM2503.170	GEAR SHAFT
171	SM2503.171	SPACING RING
172	SM2503.172	CONNECT SITE SCREW
173	SM2503.173	BEVEL GEAR
174	SM2503.174	WORM BASE
175	SM2503.175	SCREW M5x18
176	SM2503.176	PIN 3x12
177	SM2503.177	CONNECT SHAFT
178	SM2503.178	PIN 3x18
179	SM2503.179	WORM SHAFT
180	SM2503.180	DIAL
181	SM2503.181	LOCK BOLT
182	SM2503.182	KEY 4c12
183	SM2503.183	DRILL SPINDLE
184	SM2503.184	TAPER SHANK B12
193	SM2503.193	POWER SUPPLY SWITCH



Lathe Tools & Accessories



Item	Part No.	Description
A	SM2503CSET	COLLET SET MT2-M10 3-10mm dia
B	SM2503EMSET	HSS END MILL SET MT2 3-10mm dia
C	SM2503MCSET	MILL CHUCK SET MT2-M10 3-10mm dia
--	SM2503MCSET.1	"C" SPANNER
D	SM2503ICEM	INDEXABLE CARBIDE END MILL MT2-M10 16mm dia
E	SM2503QV	QUICK VICE 50mm
F	SM2503RC	REVOLVING CENTRE MT1
G	SM2503HC	LIVE CENTRE MT2
H	SM2503TC	TAILSTOCK CHUCK MT1 10mm
I	SM2503THSET	TOOL HOLDER (PARTING & BORE) SET 2pc

Item	Part No.	Description
J	SM2503COBT	PARTING TOOL & BORE CUTTER SET 2pc
M	SM2503FP	FACE PLATE 112mm dia
N	SM2503SR	STEADY REST
O	SM2503TCK	THREAD CUTTING GEAR KIT METRIC
P	SM2503FR	FOLLOW REST
V	SM3002ST	STAND for SM3002, SM2502, SM2503
--	SM2503.AT	ADJUSTING TOOLS (not shown)
--	SM2503.ST	SETTING TOOLS (not shown)
--	SM2503.DCK	DRILL CHUCK KEY (not shown)
--	SM2503.LCK	LATHE CHUCK KEY (not shown)

NOTE: It is our policy to continually improve products and as such we reserve the right to alter data, specifications and component parts without prior notice.

IMPORTANT: No liability is accepted for incorrect use of product.

WARRANTY: Guarantee is 12 months from purchase date, proof of which will be required for any claim.