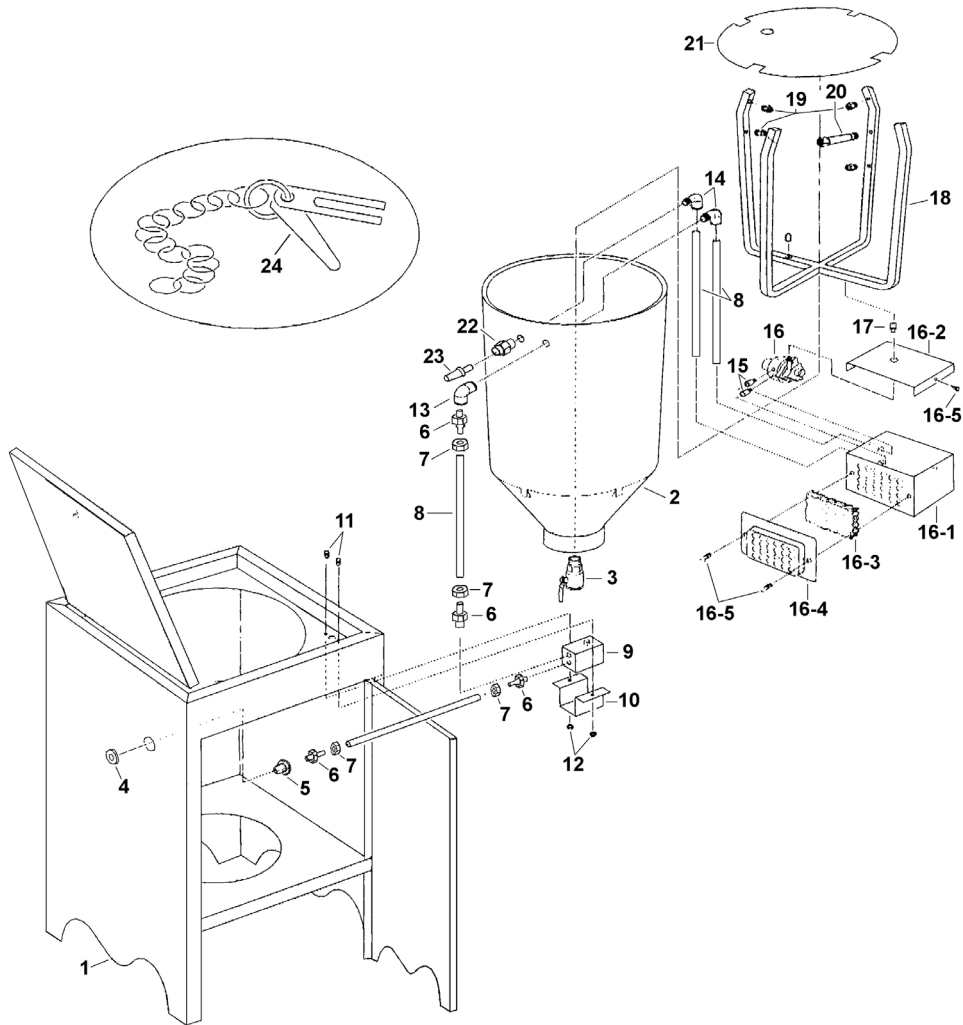




Parts Information:
Spray Gun Cleaning Mini-Tank
Model No: SM2402



Item	Part No.	Description
1	SM2402.01	Stainless Steel Cabinet
2	SM2402.02	Plastic Thinner Tank
3	SM2402.03	Thinner Release Valve
4	SM2402.04	Air Connector Lock Nut
5	SM2402.05	Air Inlet Connector
6	SM2402.06	PU Hose Connector
7	SM2402.07	PU Hose Lock Nut
8	SM2402.08	PU Hose
9	SM2402.09	Control Valve
10	SM2402.10	Control Valve Fix Plate
11	SM2402.11	Screw
12	SM2402.12	Nut
13	SM2402.13	Elbow
14	SM2402.14	Elbow (1/4";1/8)
15	SM2402.15	Quick Connector
16	SM223/P-09	Air Pump

Item	Part No.	Description
16-1	SM2402.16-1	Pump Box
16-2	SM2402.16-2	Box Cover
16-3	SM2402.16-3	Filter
16-4	SM2402.16-4	Filter Cover
16-5	SM2402.16-5	Tapping Screw
17	SM2402.17	Inlet Connector
18	SM2402.18	Manifold Bracket
19	SM2402.19	Nozzle
20	SM2402.20	Straight Manifold Stem
--	SM2402.20-1	Straight Manifold Stem (NOT SHOWN)
21	SM2402.21	Cup Rest Plate
22	SM2402.22	Straight Manifold Stem
23	SM2402.23	Buffer
24	SM2402.24	Trigger Lock Plate
--	SM2402.25	Lid Seal (NOT SHOWN)

NOTE: It is our policy to continually improve products and as such we reserve the right to alter data, specifications and component parts without prior notice.

IMPORTANT: No liability is accepted for incorrect use of product.

WARRANTY: Guarantee is 12 months from purchase date, proof of which will be required for any claim.

Sealey Group, Kempson Way, Suffolk Business Park, Bury St Edmunds, Suffolk. IP32 7AR



01284 757500



01284 703534



sales@sealey.co.uk



www.sealey.co.uk