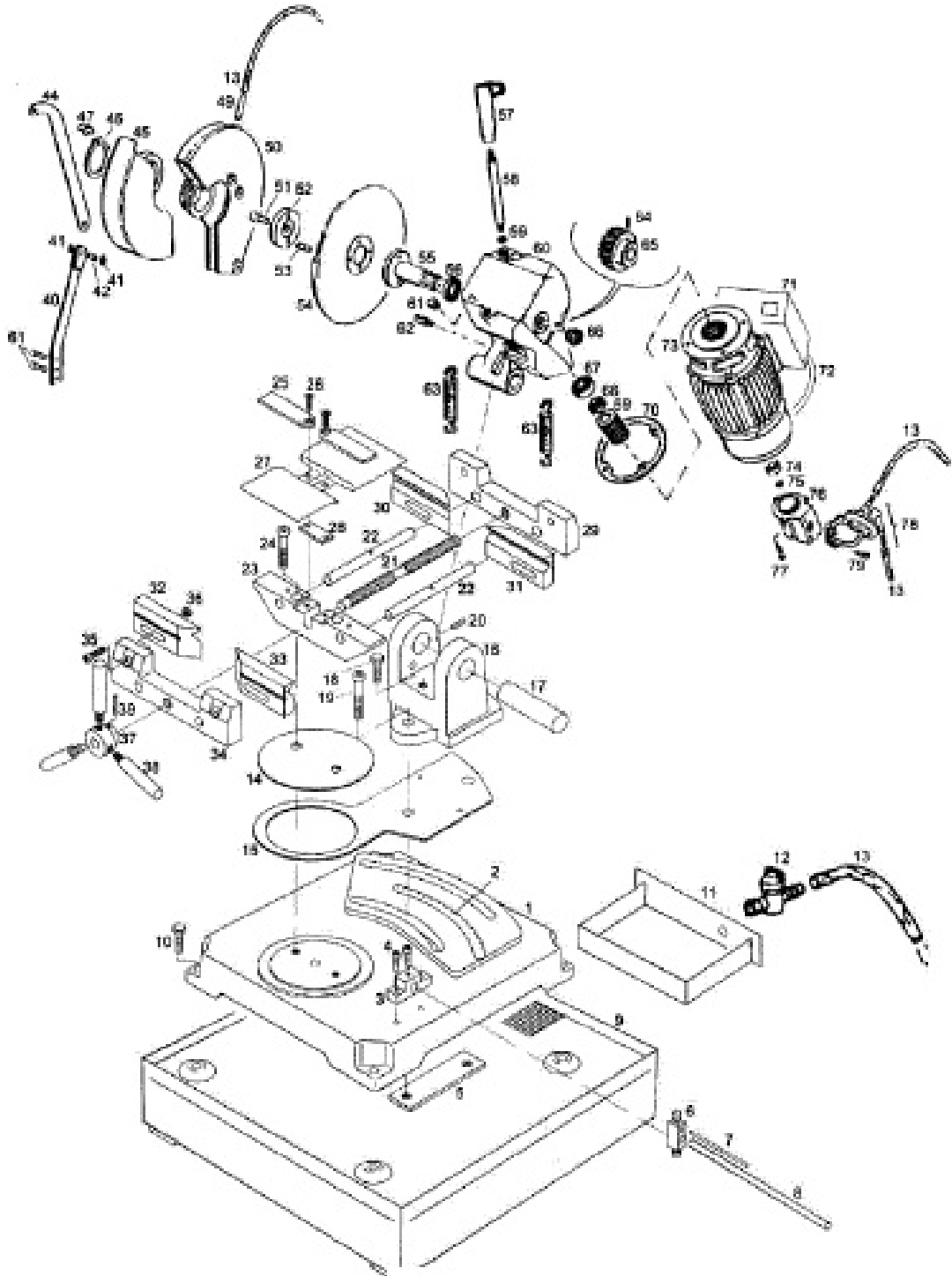




Parts Information:
Cut-Off Saw 225mm with Coolant Pump
230V 1ph
Model No: SM2254



NOTE: It is our policy to continually improve products and as such we reserve the right to alter data, specifications and component parts without prior notice.

IMPORTANT: No liability is accepted for incorrect use of product.

WARRANTY: Guarantee is 12 months from purchase date, proof of which will be required for any claim.

Sealey Group, Kempson Way, Suffolk Business Park, Bury St Edmunds, Suffolk. IP32 7AR



01284 757500



01284 703534



sales@sealey.co.uk



www.sealey.co.uk



Parts Information:
Cut-Off Saw 225mm with Coolant Pump
230V 1ph
Model No: SM2254

Item	Part No.	Description
1	SM2254.01	Base
2	SM2254.02	Scale
3	SM2254.03	Support
4	SM2254.04	Screw
5	SM2254.05	Plate
6	SM2254.06	Complete stop bar
9	SM2254.09	Complete coolant tank
10	SM2254.10	Screw
12	SM2254.12	Coolant tap
13	SM2254.13	Coolant tube
14	SM2254.14	Plate
15	SM2254.15	Plate
16	SM2254.16	Block
17	SM2254.17	Shaft
18	SM2254.18	Screw
19	SM2254.19	Screw
20	SM2254.20	Set screw
21	SM2254.21	Lead screw
22	SM2254.22	Pin
23	SM2254.23	Support
24	SCB835.SB	Socket head cap screw m8x35 black
25	SM2254.25	Plate
26	SM2254.26	Screw
27	SM2254.27	Plate
28	SM2254.28	Plate
29	SM2254.29	Vice (right hand thread)
30	SM2254.30	Vice jaw
31	SM2254.31	Vice jaw
32	SM2254.32	Vice jaw
33	SM2254.33	Vice jaw
34	SM2254.34	Vice (left hand thread)
35	SM2254.35	Screw
36	SN6.S	Steel nut m6 zinc din934 (single)
37	SM2254.37	Handle body
38	SM2254.38	Handle
39	SM2254.39	Key
40	SM2254.40	Tie rod support
41	SM2254.41	E-ring
42	SM2254.42	Tie rod support pin
45	SM2254.45	Mobile guard
46	SM2254.46	C-ring

Item	Part No.	Description
47	SCB816.SB	Socket head cap screw m8x16 black
49	SM2254.49	Coolant tube
49	SM2254.51	Screw
52	SM2254.52	Blade shaft flange
53	SM2254.53	Stake
55	SM2254.55	Blade shaft
56	SM2254.56	Bearing cover
57	SM2254.57	Head lever handgrip
58	SM2254.57A	Head lever ass'y (handgrip, lever & nut)
59	SM2254.57A	Head lever ass'y (handgrip, lever & nut)
60	SM2254.60	Motor head
61	SM2254.61	Plug
62	SM2254.62	Spring screw
63	SM2254.63	Spring
64	SM2254.64	Set screw
65	SM2254.65	Worm gear
66	SM2254.66	Oil level-drain plug
67	B/6001ZZ	Bearing 6001zz
68	NLN16.S	Nyloc nut m16 zinc din 985 (single)
69	SM2254.69	Worm pinion
70	SM2254.70	Head gasket
71	SM2254.71+72	Switch box
72	PDM100B-2-24	Switch
73	SM2254.73	Motor
74	B/609Z	Bearing 609z
75	SM2254.75	Ring
76	SM2254.76	Pump connection box
77	SM2254.77	Hex head socket screw m6x20
78	SM2254.78	Coolant pump
79	SM2254.79	Screw m6x20mm
--	SM225/B140	Blade 225x2x32mm 140t 5mm tooth pitch (NOT SHOWN)
--	SM225/B220	Blade 225x2x32mm 220t 3mm tooth pitch (NOT SHOWN)
--	SM225/B80	Blade 225x2x32mm 80t 9mm tooth pitch (NOT SHOWN)
--	AK7137.09	Extra long hex key 10mm (NOT SHOWN)
--	SM2254.P	Plug for switch box (NOT SHOWN)
--	SM2254.SA	Trigger switch ass'y (NOT SHOWN)
--	SM2254.80	Woodruff key (NOT SHOWN)
--	SM2254.81	Woodruff key (NOT SHOWN)

NOTE: It is our policy to continually improve products and as such we reserve the right to alter data, specifications and component parts without prior notice.

IMPORTANT: No liability is accepted for incorrect use of product.

WARRANTY: Guarantee is 12 months from purchase date, proof of which will be required for any claim.

Sealey Group, Kempson Way, Suffolk Business Park, Bury St Edmunds, Suffolk. IP32 7AR



01284 757500



01284 703534



sales@sealey.co.uk



www.sealey.co.uk