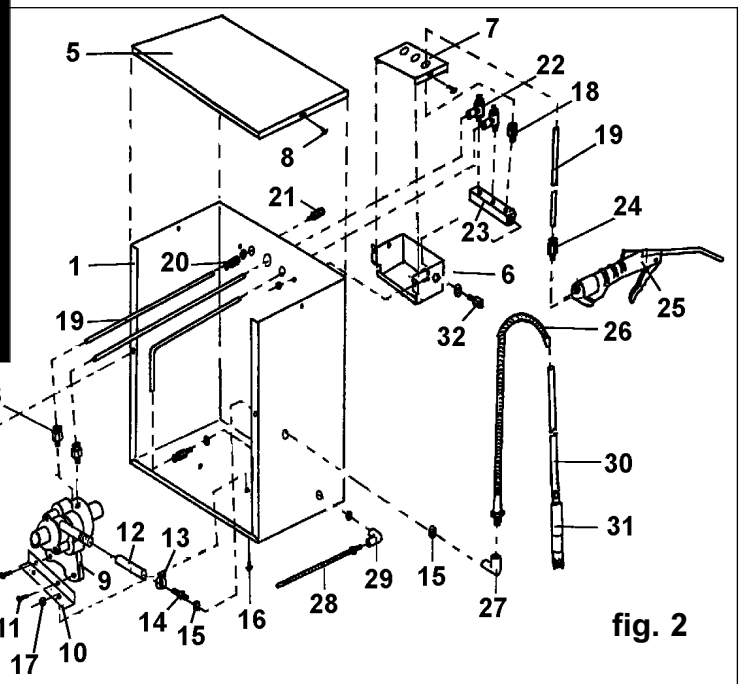
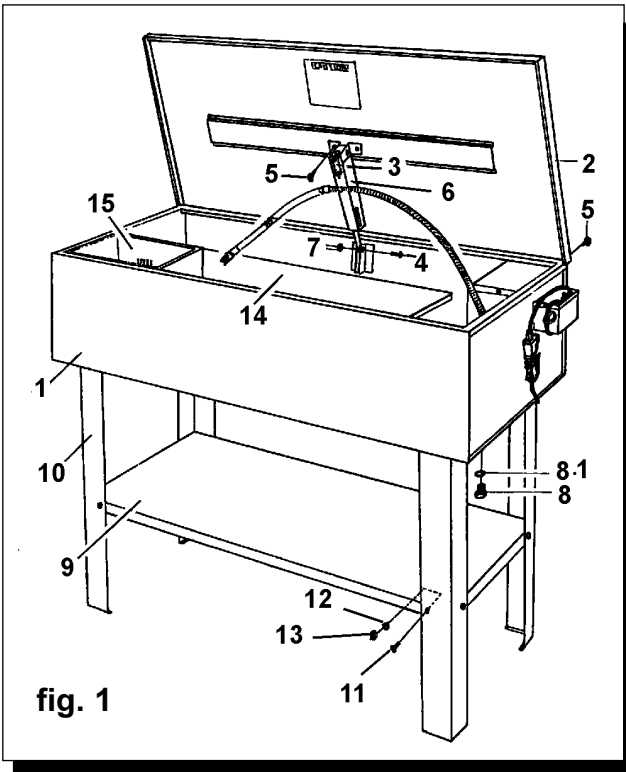


First Issued: 130700
 Version No: 1
 Date Modified: 241100



Item	Part No. for SM221	Part No. for SM223	Description
Fig. 1			
1	SM221/01	SM223/01	BODY
2	SM221/02	SM223/02	COVER
3	SM221/03	SM223/03	SAFETY PLATE
4	SM221/04	SM223/04	PAN SCREW, 1/4" x 3/4"
5	SM221/05	SM223/05	TAPPING SCREW
6	SM221/06	SM223/06	SAFETY PLATE
7	SM221/07	SM223/07	HEX NUT 1/4"
8	SM221/08	SM223/08	PLUG
8.1	SM221/08.1	SM223/08.1	OIL SEAL
9	SM221/09	SM223/09	SHELF
10	SM221/10	SM223/10	LEG
11	SM221/11	SM223/11	PAN SCREW, 1/4" x 3/8"
12	SM221/12	SM223/12	WASHER, 1/4"
13	SM221/13	SM223/13	HEX NUT, 1/4"
14	SM221/14	SM223/14	WORK SHELF
15	SM221/15	SM223/15	BASKET

Item	Part No. for SM221	Part No. for SM223	Description
Fig. 2 continued			
8	SM221/P-08	SM223/P-08	TAPPING SCREW
9	SM221/P-09	SM223/P-09	AIR PUMP
10	SM221/P-10	SM223/P-10	PUMP FIXED PLATE
11	SM221/P-11	SM223/P-11	PAN SCREW, 3/16" x 5/8"
12	SM221/P-12	SM223/P-12	FLUID HOSE
13	SM221/P-13	SM223/P-13	HOSE CLAMP
14	SM221/P-14	SM223/P-14	CONNECTOR, 1/4" x 1/4"
15	SM221/P-15	SM223/P-15	WASHER
16	SM221/P-16	SM223/P-16	PAN SCREW, 5/32" x 3/8"
17	SM221/P-17	SM223/P-17	HEX NUT, 5/32"
18	SM221/P-18	SM223/P-18	PU HOSE QUICK CONNECTOR, 1/8"
19	SM221/P-19	SM223/P-19	PU HOSE, 5 x 8
20	SM221/P-20	SM223/P-20	PU HOSE QUICK CONNECTOR, INSIDE THREAD
21	SM221/P-21	SM223/P-21	SILENCER, 1/8"
22	SM221/P-22	SM223/P-22	ADJUSTABLE SWITCH
23	SM221/P-23	SM223/P-23	INLET PIPE
24	SM221/P-24	SM223/P-24	PU HOSE QUICK CONNECTOR 1/4"
25	SM221/P-25	SM223/P-25	AIR BLOW GUN
26	SM221/P-26	SM223/P-26	FLEXIBLE HOSE, 1/4" x 24"
27	SM221/P-27	SM223/P-27	L CONNECTOR, 1/4" INSIDE THREAD
28	SM221/P-28	SM223/P-28	TURBO SPIGOT
29	SM221/P-29	SM223/P-29	L CONNECTOR, 1/8" INSIDE THREAD
30	SM221/P-30	SM223/P-30	CLEAR TUBE
31	SM221/P-31	SM223/P-31	CLEANING BRUSH
32	SM221/P-32	SM223/P-32	INLET CONNECTOR, 1/4" INSIDE THREAD

Item	Part No. for SM221	Part No. for SM223	Description
Fig. 2			
1	SM221/P-01	SM223/P-01	PUMP HOUSING
2	SM221/P-02	SM223/P-02	HOUSING FRONT COVER
3	SM221/P-03	SM223/P-03	FILTER, NON WOVEN FABRICS
4	SM221/P-04	SM223/P-04	FILTER BRACKET
5	SM221/P-05	SM223/P-05	HOUSING TOP
6	SM221/P-06	SM223/P-06	ADJUSTABLE SWITCH BOX
7	SM221/P-07	SM223/P-07	SWITCH BOX COVER

NOTE: It is our policy to continually improve products and as such we reserve the right to alter data, specifications and component parts without prior notice.