

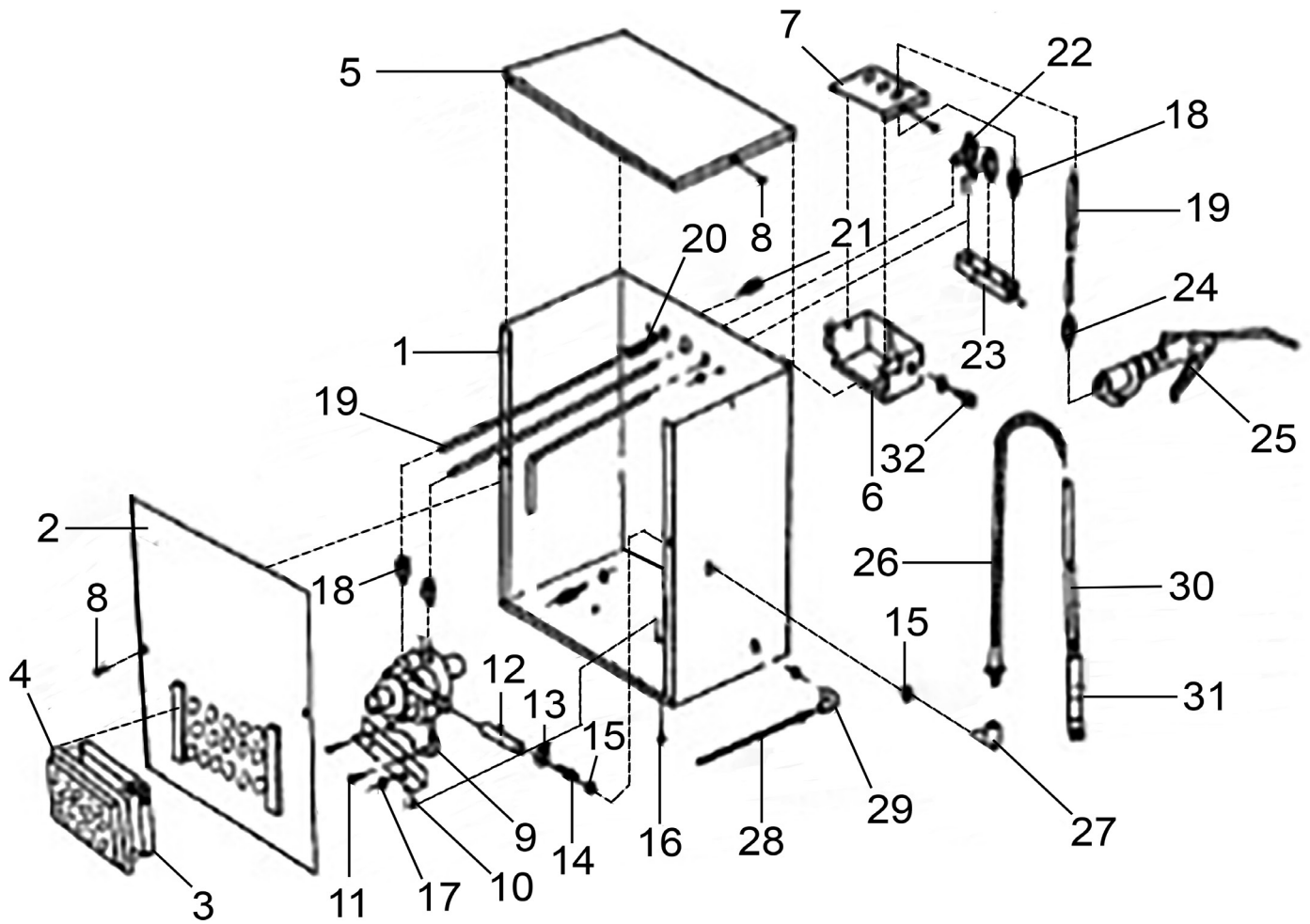
Item	Part No.	Description
1	SM22C.01	Body
2	SM22C.02	Cover
3	SM22C.03	Safety Plate
4	SM22C.04	Pan Screw 1/4" x 3/4"
5	SM22C.05	RD Head S/T Screw M4 x 10mm
6	SM22C.06	Safety Plate
7	FN14.UNC	Flange Nut Serrated 1/4" UNC
8	SM30/A08	Oil Drain Plug

Item	Part No.	Description
8.1	SM221/08-1	Oil Seal
9	SM22C.09	Shelf
10	SM22C.10	Leg
11	SM22C.11	Pan Screw 1/4" x 3/8"
12	SM22C.12	M6 EXT Tooth Washer
13	SN14.UNC	Steel Nut 1/4" UNC
14	SM22C.14	Work Shelf
15	SM40D.V2-11	Filter Basket

**NOTE:** It is our policy to continually improve products and as such we reserve the right to alter data, specifications and component parts without prior notice. There may be alternative versions of this product, please contact us should you require this information.

**IMPORTANT:** No liability is accepted for incorrect use of product. Spare parts must be fitted by a competent person

**WARRANTY:** Guarantee is 12 months from purchase date, proof of which will be required for any claim.



Item	Part No.	Description
1	SM221/P-01	Pump Housing
2	SM22C.P-02	Housing Front Cover
3	SM22C.P-03	Filter, Non-Woven Fabrics
4	SM22C.P-04	Filter Bracket
5	SM22C.P-05	Housing Top
6	SM22C.P-06	Adjustable Switch Box
7	SM22C.P-07	Switch Box Cover
8	SM22C.P-08	Tapping Screw
9	SM223/P-09	Air Pump
10	SM22C.P-10	Plate, Pump Fixing
11	SM22C.P-11	Pan Screw 3/16" x 5/8"
12	SM22C.P-12	Fluid Hose (14 x 16 x 50mm)
13	SM221/P-13	Hose Clamp
14	SM22C.P-14	Connector 1/4" x 1/4"
15	SM22C.P-15	Sealing Washer M14
16	SM22C.P-16	Pan Screw 5/32" x 3/8"
17	SM22C.P-17	Hex Nut 5/32"

Item	Part No.	Description
18	SM22C.P-18	PU Hose Quick Connector 1/8"
19	SM22C.P-19	Hose (5 x 8 x 1000mm)
20	SM22C.P-20	PU Hose Quick Connector Inside Thread
21	SM22C.P-21	Silencer 1/8"
22	SM22C.P-22	Adjustable Switch
23	SM22C.P-23	Inlet Pipe
24	SM22C.P-24	PU Hose Quick Connector 1/4"
25	SM22C.P-25	Air Blow Gun
26	SM22C.P-26	1/4" x 24" Flex Hose
27	SM22C.P-27	1/4" 'L' Connector Inside Thread
28	SM22C.P-28	Turbo Spigot
29	SM22C.P-29	1/8" 'L' Connector, Inside Thread
30	SM221/P-30	Clear Tube
31	SM22C.P-31	Cleaning Brush
32	SM22C.P-32	Inlet Connector 1/4" Inside Thread
--	SM22C.PA	Pump Assembly (Not Shown)

**NOTE:** It is our policy to continually improve products and as such we reserve the right to alter data, specifications and component parts without prior notice. There may be alternative versions of this product, please contact us should you require this information.

**IMPORTANT:** No liability is accepted for incorrect use of product. Spare parts must be fitted by a competent person

**WARRANTY:** Guarantee is 12 months from purchase date, proof of which will be required for any claim.