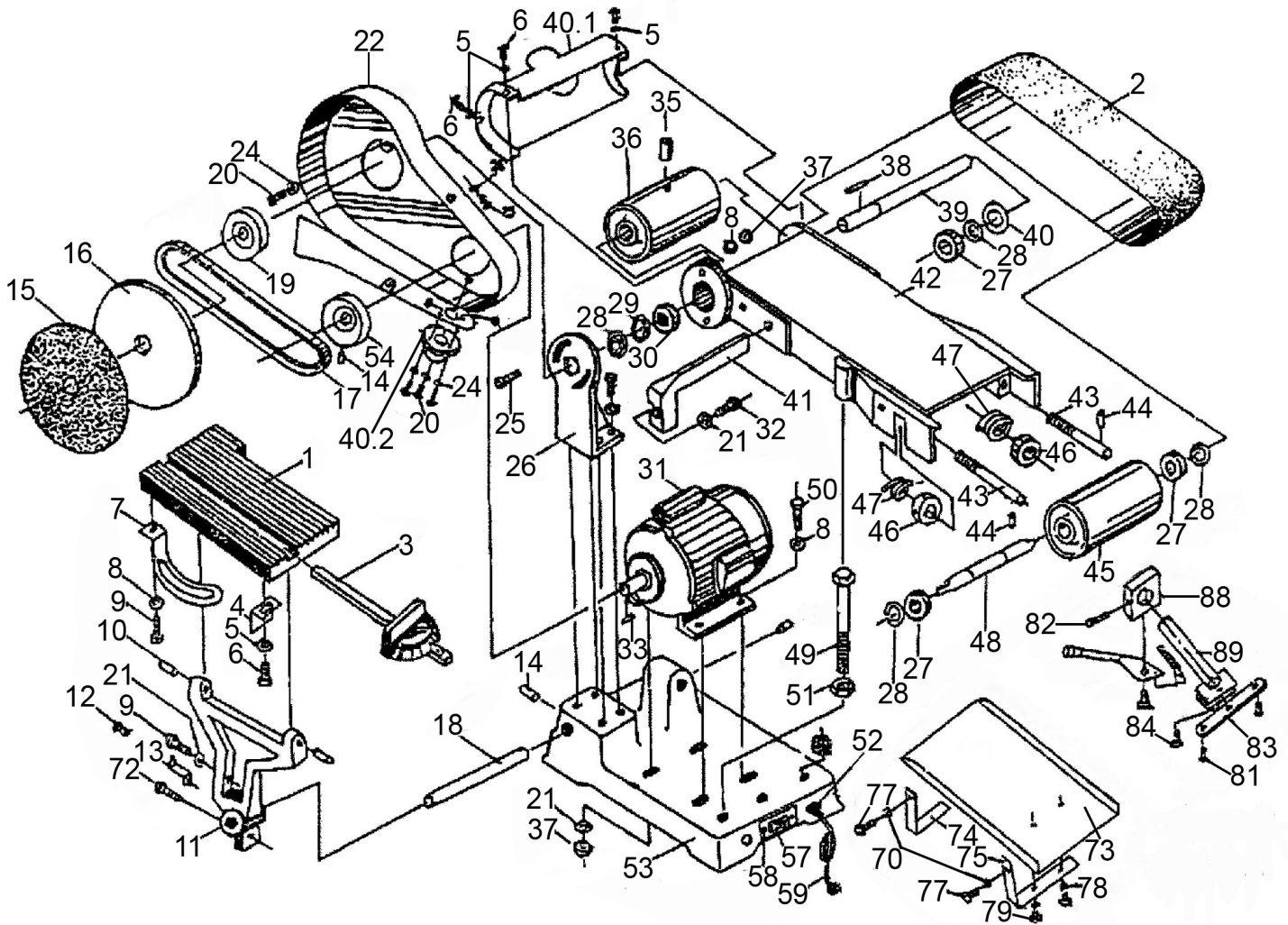


Parts Information:
Belt/Disc Sander Floor Standing 1220 x 150mm/Ø230mm
Model No: SM15.V3



Item	Part No.	Description
1	SM15C/01	Table
2	SM15/B080G	Sanding Belt 150 x 1220mm 80Grit
3	SM15C/03	Mitre Gauge
4	SM15C/04	Table Mount
5	SM15C/05	Washer 5mm
6	MSP56.S	Machine Screw Pan Head Phillips M5 x 6mm
7	SM15C/07	Angle Gauge
8	FWM8.S	Flat Washer M8
9	SS820.S	Hex Head Set Screw M8 x 20mm
10	SM15C/10	Pin
11	SM15C/11	Table Support Bracket
12	MSP512.S	Machine Screw Pan Head Phillips M5 x 12mm
13	SM15C/13	Pointer

Item	Part No.	Description
14	SM15C/14	Grub Screw, Slotted M8 x 12mm
15	SM15/D80G-9	Disc, 80g 230mm (9"dia) psa
16	SM15C/16	Aluminium Backing Pad (d:225mm)
17	V/A25	V-belt (id-630) A25
18	SM15C/18	Support Bar
19	SM15C/19	Pulley 15mm
20	SS812.S	Hex Head Set Screw M8 x 12mm
21	SWM8.SB	Spring Washer M8 Black
22	SM15C-V3-22	Pulley Cover (Dark Grey)
24	SM15C/24	Washer M5
25	MSP612.S	Machine Screw Pan Head Phillips M6 x 12mm
26	SM15C-V3-26	Bracket (Dark Grey)
27	B/6201Z	Bearing 6201Z

NOTE: It is our policy to continually improve products and as such we reserve the right to alter data, specifications and component parts without prior notice. There may be alternative versions of this product, please contact us should you require this information.

IMPORTANT: No liability is accepted for incorrect use of product. Spare parts must be fitted by a competent person

WARRANTY: Guarantee is 12 months from purchase date, proof of which will be required for any claim.



Parts Information:
Belt/Disc Sander Floor Standing 1220 x 150mm/Ø230mm
Model No: SM15.V3

Item	Part No.	Description
28	GSA07.41	External Circlip 13.7mm ID.
29	SM15C/29	External Circlip 32.0mm ID.
30	B/6202ZZ	6202ZZ
31	SM15C/31	Motor (External 230v 50hz 550w)
32	SM15C/32	Screw M8 x 25mm
33	SM15C/33	Key 5x5x20
35	GSM820.S	Grub Screw M8 x 20mm
36	SM15C/36	Drive Roller
37	SN8.S	Steel Nut M8
38	SM15C/38	Woodruff Key 5x30
39	SM15C/39	Driving Roller Shaft
40	SM15C/40	Safety Cover
40.1	SM15C/40.1	Cover, Drive Roller
40.2	SM15C/40.2	Disc, Dust Chute
41	SM15C/41	Back Stop
42	SM15C-V3-42	Sand Belt Frame (Dark Grey)
43	SM15C/43	Adjust Bar, Roller
44	SM15C/44	Spring Pin M5.3 x 16
45	SM15C/45	Idler Roler
46	SM15C/46	Knob
47	SM15C/47	Spring 23.03mm
48	SM15C/48	Idler Roller Shaft
49	SM15C/49	Support Bolt M16 x 220mm
50	SM15C/50	Bolt M8 x 30mm
51	SN16.S	Steel Nut M16
52	SM15C/52	Cord Clamp
53	SM15C-V3-53	Base (Dark Grey)
54	SM15C/54	Pulley 16mm
57	SM15C/57	Switch, On/Off Magnetic Press Button
58	SM15C/58	Screw
59	SM15C/59	Power Cord
70	RW825.S	Repair Washer M8 x 25mm

Item	Part No.	Description
72	SCB820.SB	Socket Cap Bolt M8 x 20mm Black
73	SM15C-V3-73	Plate (Dark Plate)
74	SM15C/74	Support
75	SM15C/75	Support
77	SM15C/77	Screw M8 x 12mm
78	RW619.S	Repair Washer M6 x 19mm
79	SM15C/79	Knob, Plastic, OD: 24mm, M5x10mm Threaded Male Fitting
81	MSP518.S	Machine Screw Pan Head Phillips M5 x 18mm
82	SS1050.S	Hex Head Set Screw M10 x 50mm
83	SM15C/83	Rock Arm
84	SM15C/84	Knob
88	SN10.S	Steel Nut M10 Zinc
89	SM15C/89	Tube
--	SS832.S	Hex Head Set Screw M8 x 32mm (Not Shown)
--	SM15C/34	Tube (Not Shown)
--	SM15C/55	Hex Wrench (Not Shown)
--	SM15C/56	Hex Wrench (Not Shown)
--	SM15C.57-1	Housing, Switch (Not Shown)
--	SM15C/60	Roller Adjust Body (Not Shown)
--	SM15C/61	Stand (Not Shown)
--	SM15C/62	Stand Plate (Not Shown)
--	CBN810.S	Coach Bolt M8 x 10mm (Not Shown)
--	SM15C/64	Rubber (Not Shown)
--	SS825.S	Hex Head Set Screw M8 x 25mm (Not Shown)
--	SM15C/69	Frame (Not Shown)
--	SS816.S	Hex Head Set Screw M8 x 16mm (Not Shown)
--	SM15C/80	Washer M5 (Not Shown)
--	SM15C.S	Stand Assembly (Not Shown)
--	SM15/B100G	Sanding Belt 150 x 1220mm 100Grit (Not Shown)
--	C/150-250	Capacitor 100mfd 250vac (60x40) (Not Shown)

NOTE: It is our policy to continually improve products and as such we reserve the right to alter data, specifications and component parts without prior notice. There may be alternative versions of this product, please contact us should you require this information.

IMPORTANT: No liability is accepted for incorrect use of product. Spare parts must be fitted by a competent person

WARRANTY: Guarantee is 12 months from purchase date, proof of which will be required for any claim.

Sealey Group, Kempson Way, Suffolk Business Park, Bury St Edmunds, Suffolk. IP32 7AR



01284 757500



sales@sealey.co.uk



www.sealey.co.uk