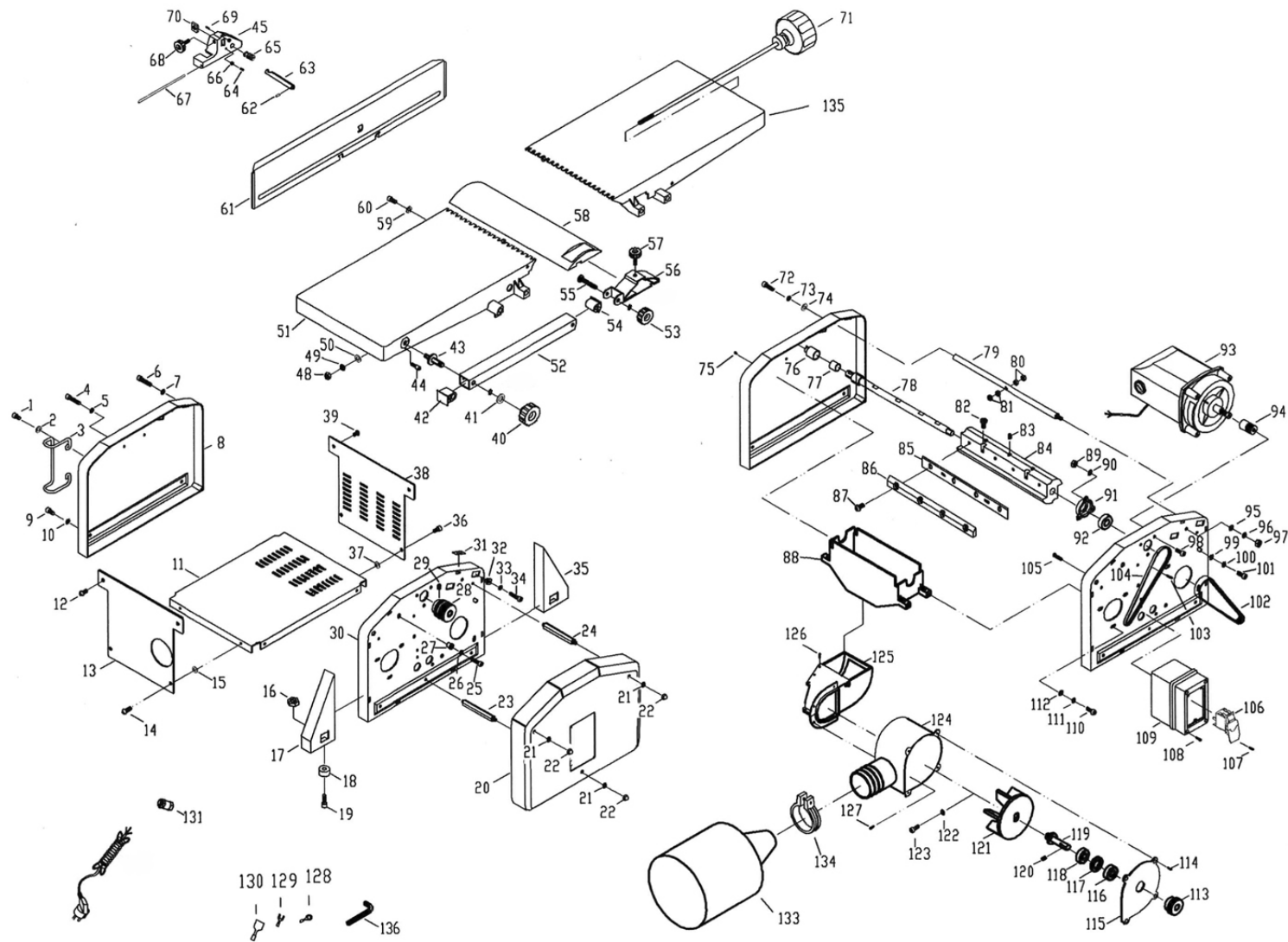




Parts Information:  
**Planer 150mm**  
**Model No: SM1310**



**NOTE:** It is our policy to continually improve products and as such we reserve the right to alter data, specifications and component parts without prior notice.

**IMPORTANT:** No liability is accepted for incorrect use of product.

**WARRANTY:** Guarantee is 12 months from purchase date, proof of which will be required for any claim.

Sealey Group, Kempson Way, Suffolk Business Park, Bury St Edmunds, Suffolk. IP32 7AR



01284 757500



01284 703534



sales@sealey.co.uk



www.sealey.co.uk



Parts Information:  
**Planer 150mm**  
**Model No: SM1310**

Item	Part No.	Description
1	SM1310.12	SKT. HD Bolt m5x10
2	FWM5.SB	Flat Washer M5 Black (Single)
3	SM1310.03	Cord Wrap
4	SM1310.04	SKT. HD Bolt m5x20
--	SCB520.SB	Socket Head Cap Screw m5x20 Black (NOT SHOWN)
5	SWM5.SB	Spring Washer M5 Black (Single)
6	SM1310.06	SKT. HD Bolt m5x20
7	FWM5.SB	Flat Washer M5 Black (Single)
8	SM1310.08	Side Plate Top
9	SM1310.09	SKT. HD Bolt m5x10
10	SWM5.SB	Spring Washer M5 Black (Single)
11	SM1310.11	Cover
12	SM1310.12	SKT. HD Bolt m5x10
13	SM1310.13	Cover Board, Left
14	SM1310.14	Screw
15	FWM5.SB	Flat Washer M5 Black (Single)
16	SM1310.16	Hex Nut M8 Half Nut Black
17	SM1310.17	Bottom Feet, Left
18	SM1310.18	Rubber Buffer
19	SCB812.SB	Socket Head Cap Screw m8x12 Black
20	SM1310.20	Protecting Hood
21	SWM5.SB	Spring Washer M5 Black (Single)
22	SN5.SDB	Steel Nut M5 Domed (Black) (Single)
23	SM1310.23	Rod
24	SM1310.24	Rod
25	SCB516.SB	Socket Head Cap Screw m5x16 Black
26	SWM5.SB	Spring Washer M5 Black (Single)
27	SM1310.27	Sleeve
28	SM1310.28	Belt Disc
29	SM1307.33	Bolt
30	SM1310.30	Side Plate(Left)Inc. Bottom Feet (Left&Right)
31	SM1310.31	Scale For Cutting Depth
32	SM1310.32	Sliding Block
33	SWM5.SB	Spring Washer M5 Black (Single)

Item	Part No.	Description
34	SCB516.SB	Socket Head Cap Screw m5x16 Black
35	SM1310.35	Bottom Feet (Right)
36	SM1310.36	SKT. HD Bolt m5x10
37	SWM5.SB	Spring Washer M5 Black (Single)
38	SM1310.38	Cover Board (Right)
39	SM1310.39	SKT. HD Bolt m5x10
40	SM1310.40	Hand Knob
41	FWM10.SB	Flat Washer M10 Black(Single)
42	SM1310.42	Cover
43	SM1311.13	Angle Gear
44	SM1310.44	Stud
45	SM1310.45	Angle Piece
--	SWM4.SB	Spring Washer M4 Black (Single) (NOT SHOWN)
--	FWM4.SB	Flat Washer M4 Black (Single) (NOT SHOWN)
48	SN6.SB	Steel Nut M6 Black (Single)
49	SWM6.SB	Spring Washer M6 Black(Single)
50	RW619.S	Repair Washer m6x19 (Single)
51	SM1310.51	Rear Table Top
52	SM1310.52	Tube
53	SM1310.53	Hand Knob
54	SM1310.54	Cover
55	SM1310.55	Stud Bolt
56	SM1310.56	Arc Cover
57	SM1310.57	Hand Knob
58	SM1310.58	Blade Guard
59	FWM6.SB	Flat Washer M6 Black (Single)
60	SM1310.60	Bolt m5x12
61	SM1310.61	Guide Fence
62	SM1310.62	Pin
63	SM1310.63	Angle Bar
64	SM1310.64	Bolt m4x8
65	SM1310.65	Bolt
66	SN4.S	Steel Nut M4 Zinc Din934 (Single)
67	SM1310.67	Pin (Long)

**NOTE:** It is our policy to continually improve products and as such we reserve the right to alter data, specifications and component parts without prior notice.

**IMPORTANT:** No liability is accepted for incorrect use of product.

**WARRANTY:** Guarantee is 12 months from purchase date, proof of which will be required for any claim.

**Sealey Group**, Kempson Way, Suffolk Business Park, Bury St Edmunds, Suffolk. IP32 7AR



01284 757500



01284 703534



sales@sealey.co.uk



www.sealey.co.uk



Parts Information:  
**Planer 150mm**  
**Model No: SM1310**

Item	Part No.	Description
68	SM1310.68	Hand Knob
69	SM1310.69	Screw
70	SN6.SB	Steel Nut M6 Black (Single)
71	SM1310.71	Spindle
72	SM1310.72	SKT. HD Bolt m5x12
73	SWM5.SB	Spring Washer M5 Black (Single)
74	FWM5.SB	Flat Washer M5 Black (Single)
75	SM1310.75	Screw
76	SM1310.76	Bearing Cap
77	B/BK0912	Needle Bearing BK0912
78	SM1310.78	Arbor
79	SM1310.79	Strut
80	SN5.SB	Steel Nut M5 Black (Single)
81	SN5.SB	Steel Nut M5 Black (Single)
82	SM1310.82	Bolt m4x9
83	SM1307.33	Bolt
84	SM1310.84	Blade Guard
85	SM1310.85	Blades x2 (1 Set)
86	SM1310.86	Clamping Device
87	SM1310.87	SKT. HD Bolt m6x16
88	SM1310.88	Collector
89	SN5.SB	Steel Nut M5 Black (Single)
90	SWM5.SB	Spring Washer M5 Black (Single)
91	SM1310.91	Bearing Cover
92	B/6000-2RS	Bearing 6000-2RS
93	SM1310.93	Motor
--	SM1310.CB	Carbon Brush (Single) (NOT SHOWN)
94	SM1310.94	Belt Wheel
95	SM1310.95	Washer
96	SWM5.SB	Spring Washer M5 Black (Single)
97	SN5.SB	Steel Nut M5 Black (Single)
98	SM1310.98	SKT HD Bolt m5x12
99	FWM5.SB	Flat Washer M5 Black (Single)
100	SWM5.SB	Spring Washer M5 Black (Single)

Item	Part No.	Description
101	SCB512.SB	Socket Head Cap Screw m5x12 Black
102	SM1310.102	Belt,Fan (Micro V 140)
103	SM1310.103	Screw
104	SM1310.104	Drive Belt (5 Ribs)
105	SM1310.105	Screw
106	SM1311.66	Switch
107	SM1310.107	Screw
108	SM1310.108	Screw
109	SM1310.109	Switch Box
110	SM1310.110	Bolt
111	SWM5.SB	Spring Washer M5 Black (Single)
112	FWM5.SB	Flat Washer M5 Black (Single)
113	SM1310.113	Fan Pulley
114	SM1310.114	Screw
115	SM1310.115	Mounting Plate
116	B/6000-2RS	Bearing 6000-2RS
117	SM1310.117	Spacer
118	B/6000-2RS	Bearing 6000-2RS
119	SM1310.119	Fan Shaft
120	SM1310.120	Screw
121	SM1310.121	Impeller
122	RW519.S	Repair Washer m5x19 (Single)
123	SM1310.123	Bolt
124	SM1310.124	Exhaust
125	SM1310.125	Dust Deflector
126	SM1310.126	Screw
127	SM1310.127	Screw
--	SM1310.130	Rubber Feet (NOT SHOWN)
131	SM1310.131	Strain Relief
133	SM1310.133	Dust Collection Bag
134	SM1310.134	Bag Clamp
135	SM1310.135	Front Table Top
--	SM1310.S	Overload Switch 6A (NOT SHOWN)
--	SM1310.AD	Adaptor (NOT SHOWN)

**NOTE:** It is our policy to continually improve products and as such we reserve the right to alter data, specifications and component parts without prior notice.

**IMPORTANT:** No liability is accepted for incorrect use of product.

**WARRANTY:** Guarantee is 12 months from purchase date, proof of which will be required for any claim.

**Sealey Group**, Kempson Way, Suffolk Business Park, Bury St Edmunds, Suffolk. IP32 7AR



01284 757500



01284 703534



sales@sealey.co.uk



www.sealey.co.uk