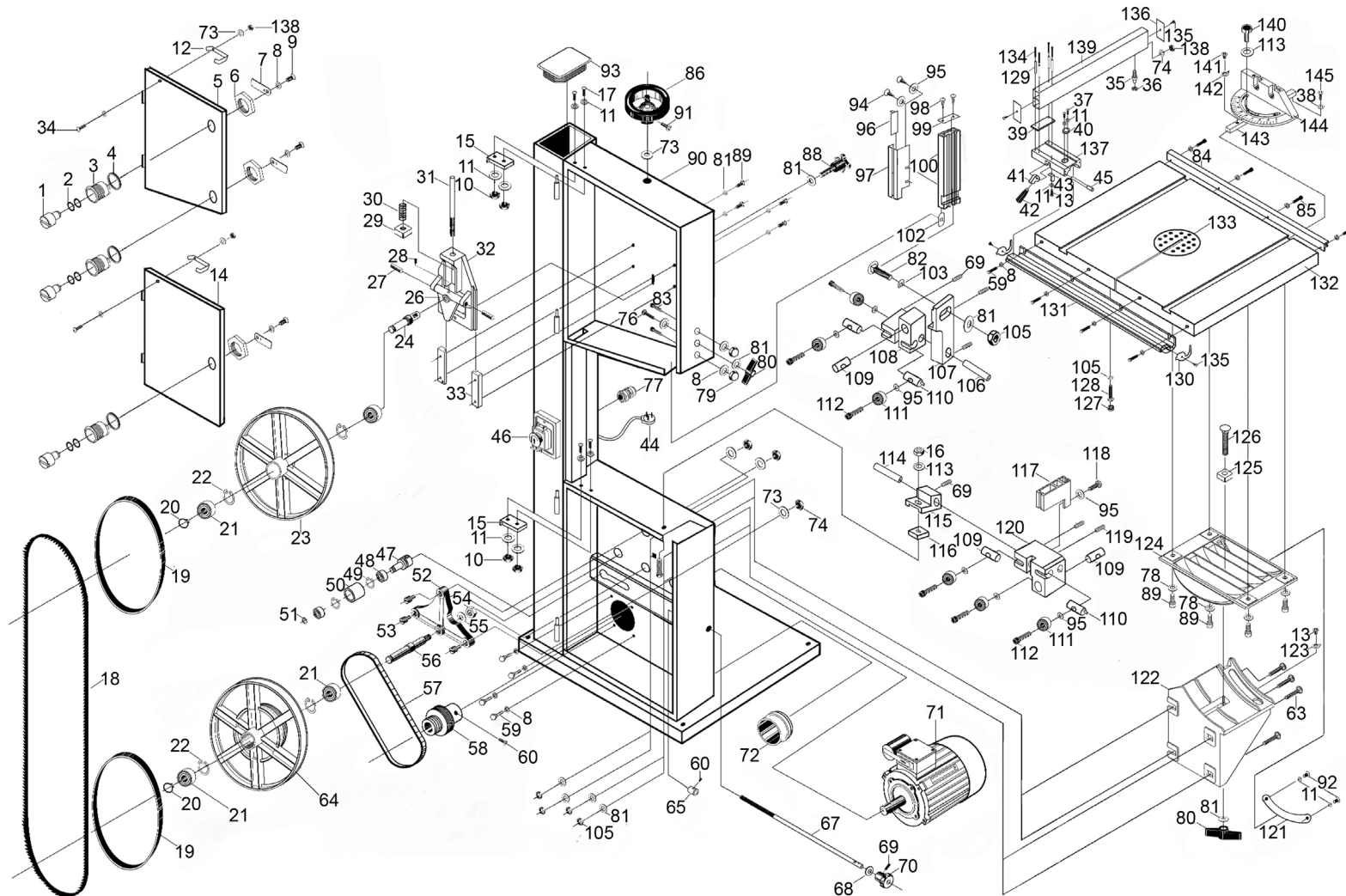




# Parts Information: Professional Bandsaw 335mm Model No: SM1306.V2



**NOTE:** It is our policy to continually improve products and as such we reserve the right to alter data, specifications and component parts without prior notice.

There may be alternative versions of this product, please contact us should you require this information.

**IMPORTANT:** No liability is accepted for incorrect use of product. Spare parts must be fitted by a competent person

**WARRANTY:** Guarantee is 12 months from purchase date, proof of which will be required for any claim.

Sealey Group, Kempson Way, Suffolk Business Park, Bury St Edmunds, Suffolk. IP32 7AR



01284 757500



sales@sealey.co.uk



www.sealey.co.uk



Parts Information:  
**Professional Bandsaw 335mm**  
**Model No: SM1306.V2**

Item	Part No.	Description
1	SM1305.001	Door Axle
2	SM1305.002	Washer
3	SM1305.003	Bush, Door Axle
4	SM1305.004	Plastic Washer
5	SM1306-V2-005	Upper Door (Dark Grey)
6	SM1305.006	Plate, Door Close
7	SM1305.007	Plastic Nut
8	SM1305.008	Washer
9	SM1305.009	Bolt M6 x 8mm
10	SN4.SB	Steel Nut M4
11	FWM4.S	Flat Washer M4
12	SM1305.012	Leaf Spring
13	SM1305.013	Philips Screw M4 x 10mm
14	SM1306-V2-014	Lower Door (Dark Grey)
15	SM1305.015	Lock Switch, Inner
16	SN6.S	Steel Nut M6
17	SM1305.017	Dome Head Screw M4 x 35mm
18	SM1306B06	Bandsaw Blade 2400 x 12 x 0.6mm 6tpi
19	SM1306.019	Rubber Belt (Id-970)
20	SA58.V2-17	External Circlip 19.4mm ID.
21	B/6203-2RS	Bearing 6203-2RS
22	SM1305.022	Internal Circlip 43.5mm OD.
23	SM1306.023	Wheel, Upper
24	SM1306.024	Shaft, Upper Wheel
26	SM1305.026	Base, Upper Wheel
27	SM1305.027	Adjusting Shaft, Upper Wheel
28	SM1305.028	Spring Pin M5.4 X 25
29	SM1305.029	Nut
30	SM1305.030	Spring Dia 23.12mm
31	SM1306.031	Adjusting Bar
32	SM1305.032	Adjusting Base, Upper Wheel
33	SM1305.033	Press Plate
34	MSP510.S	Machine Screw Pan Head Phillips M5 x 10mm
35	SM1305.035	Stop, Upper Guide
36	B/627ZZ	Bearing 627ZZ
37	SM1305.037	Dome Head Screw M4 x 5mm
38	RW525.S	Repair Washer M5 x 25mm
39	SM1305.039	Plate
40	SM1305.040	Screw
41	SM1305.041	Locking Piece
42	SM1305.042	Handle
43	SM1305.043	U-Clamp
44	SM1305.044	Cable (c/w Plug)

Item	Part No.	Description
45	SM1305.045	Shaft
46	SM46C/16	Switch, Press Button On/Off KJD12
47	SM1306.047	Shaft
48	B/6001-2RS	Bearing 6001-2RS
49	SMS2003.14	Internal Circlip 30.2mm OD
50	SM1306.050	Wheel, Fixed (D: 35 W: 32 B: 28)
51	1050CXLE.08	External Circlip 13.5mm ID.
52	SM1305.052	Support, Lower Wheel
53	SM1305.053	Adjusting Screw
54	SN16.S	Steel Nut M16
55	FWM16.S	Flat Washer M16
56	SM1306.056	Shaft, Lower Wheel
57	V/A29	V-Belt (Id-730) A29
58	SM1306.058	Motor Pulley (for V-belt)
59	SS616.S	Hex Head Set Screw M6 x 16mm
60	SM1305.060	Screw M5 x 8mm
63	CBN616.S	Coach Bolt M6 x 16mm
64	SM1306.064	Wheel, Lower (c/w Pulley)
65	SM1305.065	Bush
67	SM1306.067	Bar
68	FWM10.S	Flat Washer M10
69	SM1305.069	Grub Screw M6 x 10mm
70	SM1305.070	Handle
71	SM1306.071	Motor (External 230v 50hz 750w)
72	SM1305.072	Dust Chute
73	SM1305.073	Washer M12
74	SN12.S	Steel Nut M12
76	CBN825.S	Coach Bolt M8 x 25mm
77	SM1305.077	Retainer M20x15
78	FWM8.S	Flat Washer M8
79	SN6.SD	Steel Nut M6 Domed
80	SM1305.080	Hex Nut M8
81	RW825.S	Repair Washer M8 x 25mm
82	CBN820.S	Coach Bolt M8 x 20mm
83	SM1305.083	Screw
84	SM1305.084	Support Plate
85	SS612.S	Hex Head Set Screw M6 x 12mm
86	SM1305.086	Wheel
88	SM1305.088	Handle
89	SS816.S	Hex Head Set Screw M8 x 16mm
90	SM1306.090	Saw Body
91	500ETJ.V2-11	Spring Pin M4.2 X 25
92	MSP46.S	Machine Screw Pan Head Phillips M4 x 6mm

**NOTE:** It is our policy to continually improve products and as such we reserve the right to alter data, specifications and component parts without prior notice. There may be alternative versions of this product, please contact us should you require this information.

**IMPORTANT:** No liability is accepted for incorrect use of product. Spare parts must be fitted by a competent person

**WARRANTY:** Guarantee is 12 months from purchase date, proof of which will be required for any claim.

Sealey Group, Kempson Way, Suffolk Business Park, Bury St Edmunds, Suffolk. IP32 7AR



01284 757500



sales@sealey.co.uk



www.sealey.co.uk



Parts Information:  
**Professional Bandsaw 335mm**  
**Model No: SM1306.V2**

Item	Part No.	Description
93	SM1305.093	Insert
94	SM1305.094	Rd Head S/T Screw M4.4 x 10mm
95	FWM5.S	Flat Washer M5
96	SM1305.096	Sliding Plate
97	SM1305.097	Protection Cover
98	SM1305.098	Rd Head S/T Screw M4.8 x 10mm
99	SM1305.099	Plate
100	SM1305.100	Guide Bar
102	SM1305.102	Lock Plate (1)
103	SM1305.103	Lock Plate (2)
105	SN8.S	Steel Nut M8
106	SM1305.106	Connecting Shaft (1)
107	SM1305.107	Shaft
108	SM1305.108	Base, Guide Bar
109	SM1305.109	Lock Shaft (1)
110	SM1305.110	Lock Shaft (2)
111	B/626ZZ	Bearing 626ZZ
112	SM1305.112	Hex Head Screw
113	FWM6.S	Flat Washer M6
114	SM1305.114	Lock Bar (2)
115	SM1305.115	Lower Guide Base (1)
116	SM1305.116	Plate
117	SM1305.117	Protection Guard, Lower
118	MSP58.S	Machine Screw Pan Head Phillips M5 x 8mm
119	GSM66.S	Grub Screw M6 x 6mm
120	SM1305.120	Lower Guide Base (2)
121	SM1305.121	Scale
122	SM1305.122	Sliding Base Support
123	SM1305.123	Pointer
124	SM1305.124	Table Support

Item	Part No.	Description
125	SM1305.125	Sliding Block
126	CBN850.S	Coach Bolt M8 x 50mm
127	SM1305.127	Rubber, Table Adjust
128	SS835.S	Hex Head Set Screw M8 x 35mm
129	SM1305.129	Bush
130	SM1305.130	Plate, Side Clamp
131	SM1305.131	Plate, Side Guide
132	SM1306.132	Table
133	SM1305.133	Table Insert
134	SM1305.134	Cap Screw M6 x 65mm
135	SM1305.135	Rd Head S/T Screw M3 x 8mm
136	SM1305.136	Side Insert
137	SM1305.137	Sliding Base
138	SN5.S	Steel Nut M5
139	SM1305.139	Plate, Upper Guide
140	SM1305.140	Handle
141	GSM46.S	Grub Screw M4 x 6mm
142	SM1305.142	Pointer
143	SM1305.143	Guide Plate
144	SM1305.144	Scale
145	SM1305.145	Screw M5 x 5mm
--	SM1306B10	Bandsaw Blade 2400 x 12 x 0.6mm 10tpi (Not Shown)
--	SM1306B14	Bandsaw Blade 2400 x 12 x 0.6mm 14tpi (Not Shown)
--	SM1306B24	Bandsaw Blade 2400 x 12 x 0.6mm 24tpi (Not Shown)
--	SM1305.025	Spring Pin M3.1 x 7.2 (Not Shown)
--	SM1306.146	Stand Assembly (Not Shown)

**NOTE:** It is our policy to continually improve products and as such we reserve the right to alter data, specifications and component parts without prior notice. There may be alternative versions of this product, please contact us should you require this information.

**IMPORTANT:** No liability is accepted for incorrect use of product. Spare parts must be fitted by a competent person

**WARRANTY:** Guarantee is 12 months from purchase date, proof of which will be required for any claim.

Sealey Group, Kempson Way, Suffolk Business Park, Bury St Edmunds, Suffolk. IP32 7AR



01284 757500



sales@sealey.co.uk



www.sealey.co.uk